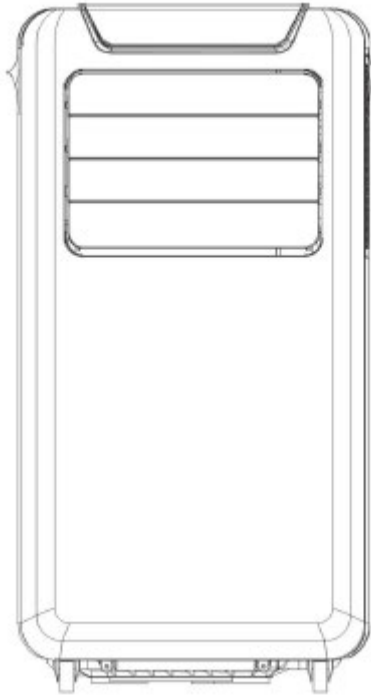


# 9000BTU PORTABLE AIR-CONDITIONING

item 8032  
INSTRUCTION AND CARE MANUAL



Children over 8 and persons with physical, sensory or mental disabilities, or inexperienced persons, may only use the device under supervision, or if they are properly trained to use the product safely and they understand hazards related to the use of the device.

Do not let children play with the device.

Do not let children connect the device into an outlet or clean or otherwise interact with the device without supervision.

Keep children under 3 away from the device unless they are continuously supervised.

Any Other use than what is stated in this manual is prohibited

Before using the appliance to ensure the best use, carefully read these instructions.

The safety precautions reduce the risk of injury and device damage. Keep the manual in a safe place for future reference. If applicable, pass these instructions on to the next owner of the appliance. Always follow basic safety precautions and accident-prevention measures when using an electrical appliance.

## SAFETY INSTRUCTIONS

Before using this electrical appliance, the following basic precautions should always be followed:

- The unit may be used only for the intended purposes. The manufacturer will not be held responsible for damages resulting from improper use or faulty handling.
- Do not use outdoors or for commercial purposes. This appliance is intended for household use only. Using the unit for commercial purposes will void the warranty.
- Keep the unit at least 1m away from TV or radios to avoid any electromagnetic interferences.
- Keep and store the appliance away from direct sunlight.
- Do not tilt the appliance more than 35° or turn it upside-down during transportation.
- Place the unit on a flat stable surface.
- Always unplug the appliance before cleaning, installing accessories, disassembling and when not in use.
- Empty the water tank before moving the appliance

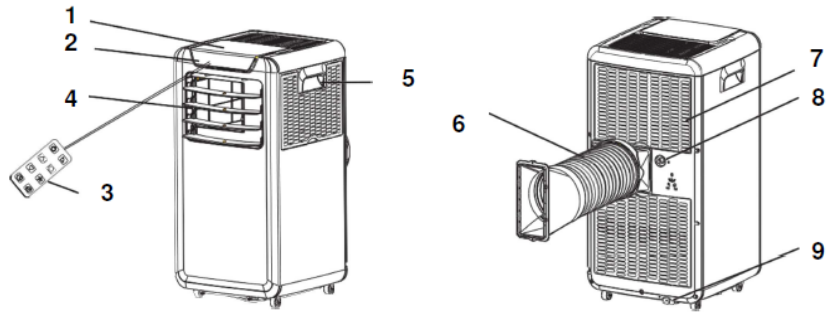


Risk of fire

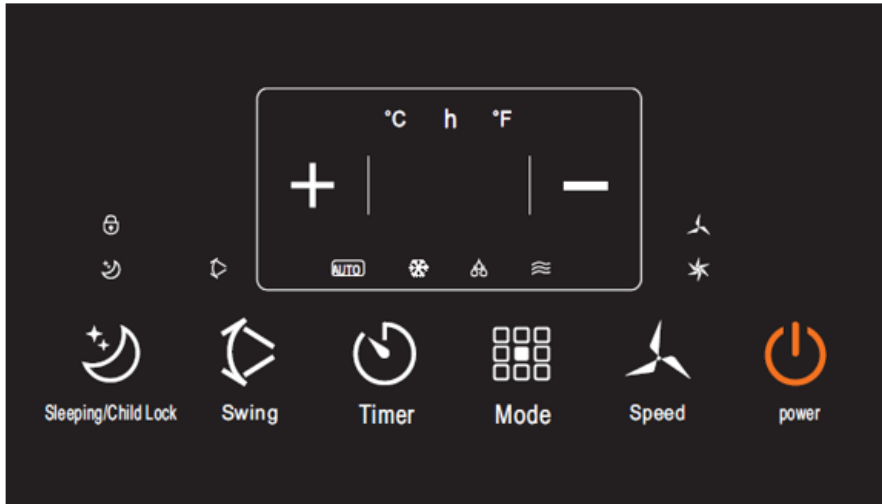
- All wiring must comply with local and national electrical codes and must be installed by a qualified electrician.
- For your safety and protection this appliance features a grounded plug. Make sure the wall outlet is grounded before plugging the appliance. If you are not sure whether the wall outlets in your home are properly grounded, contact a qualified electrician.
- Do not connect this appliance to an adapter or an extension cord.
- Always unplug the appliance before cleaning or servicing.
- Use two or more people to move and install the air conditioner.
- Children and pets should be supervised to ensure that they do not play with the appliance or the packaging material.
- This appliance can be used by children aged from 8 years and above, and persons with reduced physical, sensory or mental capabilities or lack of experience and knowledge if they have been given supervision or instruction concerning use of the appliance in a safe way and understand the hazards involved.
- Never immerse the cord, plug or main body of the appliance in water or other liquids. Should the unit fall into water immediately unplug it from the mains and have the appliance checked by an expert before using it again. It may cause fire, electric shock, injury or death.
- Do not pick up or operate the appliance if the power supply cord or the plug are damaged, or if the unit is malfunctioning or has been dropped or damaged in any way. In case of damage, contact the aftersales service. A damaged cord or plug must be exclusively replaced by the manufacturer or a qualified person in order to avoid injuries.
- Do not use means to accelerate the defrosting process or to clean the appliance, other than those recommended by the manufacturer. The maximum refrigerant amount is 200g.
- Do not use or store the unit near heat sources (i.e. heaters, stoves, etc.)

**PART LIST**

- 1. Control Panel
- 2. Signal Receiver
- 3. Remote Control
- 4. Cold Air Outlet
- 5. Transport Handle
- 6. Evaporator Air Intake
- 7. Air Outlet
- 8. Primary Drain Plug



**CONTROL PANEL**



Power - Speed – Mode – Timer – Swing - Sleeping/Child lock

**OPERATION INSTRUCTIONS**

**1. Turn on the unit**

- a) Plug in, unit beeps once the power indicator light is on.
- b) Press the “Power” button, then the unit is turned on
- c) The LED displays the room temperature and operate in Automatic mode

**2. Selection operating mode**

Press the " Mode" button to select a desired mode shown below:



**3. Adjust Temperature**

The temperature can be set within a range of 15°C to 31°C by 1°C  
 Press "+" or "-" button to increase or decrease the temperature 1°C by pressing once the unit LED shows the target temperature for 5 seconds and then displays the room temperature.

**4. Adjust Fan Speed**

Press the " speed "button to select a desired fan speed shown below:



## 5. Power

When you press "Power" button again the unit will emit "di", The power indicator goes out and stop working.

## 6. Sleeping

Press this button to enter the sleep mode of air conditioning

## 7. Timer

Press this button to set a timed shutdown

## 8. Swing

Press this button to set swing.

## Notice: Working Principle of Each Mode

### Auto mode

1. Once the "Auto", Operation is selected, the indoor temperature sensor operates automatically to select the desired operation mode with ❄️ or ⭐ mode.
2. When the room temperature  $\geq 24$  °C the unit will automatically select " "mode.
3. When the room temperature  $< 24$  °C, the unit will automatically select" "mode.

### Dehumidify mode

1. The up centrifugal fan will run at low speed and the speed can't be adjusted.
2. The compressor and the down centrifugal fan will stop after running 8 mins, then run again after 6mins.
3. The unit adopts constant temperature dehumidifying mode and the adjustment of temperature is no effective.

### Cooling mode

1. When the room temperature is higher than set temperature, the compressor starts to run.
2. When the room temperature is lower than set temperature, the compressor stop, and upper fan operate at original set speed.

### Fan mode

The up centrifugal fan runs at set speed, and the compressor and down centrifugal fan does not run the adjustment of temperature is no effective.

### Timer operation

1. Press "Timer" button to set Automatic Off time while the unit is running.
2. Press "Timer" button to set Automatic On time while the unit is ready.
3. The time can be adjusted within a range of 1 hour to 24 hours. Press the plus sign (+) or Minus sign (-) button to increase or decrease the time 1 hour by pressing once.

### Sleeping operation

1. The Sleeping operation is effective when the unit is under "Cooling" mode.
2. Press the "Sleeping" button in "Cooling" mode then the unit will work under sleep mode and the up centrifugal fan will turn to low speed automatically. The set temperature will increase 1 °C after one hour and increase 2°C after two hours. After six hour the unit will stop running.
3. Press child lock button for three seconds to make all the other functions are not able to use Press for child lock button 3 seconds again will unlock the child lock function meanwhile all the other functions will be able to use again.

## Swing operation

When the unit is on, Press “Swing” the vertical louver will on or off. When it's on, the louver can swing back and forth within 120 degree. Press the “Swing” again, the louver will stop swinging.

### Notice:

The main control board has memory function, when the unit is ready to run but in stop status, the main control board can memorize the initialization of working mode. When you turn on the unit, it will work as the same enactment of working-mode as last time, no need to reset the working mode again (This condition is not available when the unit is under “Cooling” mode)

## Remote Control Instruction

### Power

The appliance will be started when it is energized  
Or will be stopped when it is in operation, if you press  
This button

### Mode

Press this button to select “Auto” “Cooling” “Dehumidify”  
”Fan” mode

### Fan

Press this button to select fan speed in sequence  
+ / -

Press this button to adjust target temperature and timer

### Sleeping

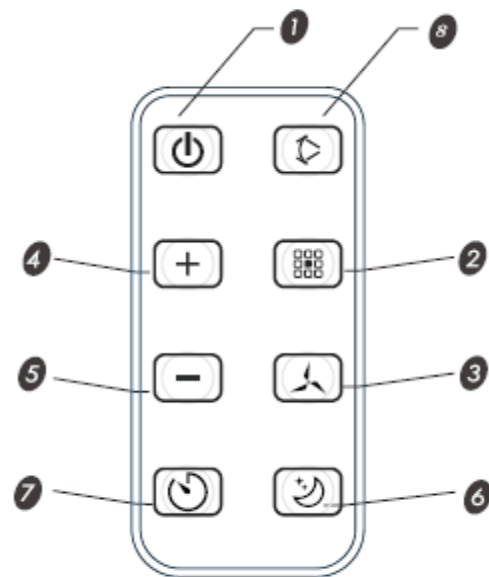
Press this button to set or cancel “Sleeping” operation

### Timer

Press this button to set automatic off and on

### Swing

Press this button to set automatic swing



## CONTINUOUS DRAINING

While using the unit in dehumidifier mode, continuous drainage is recommended.

1. Unplug the unit from the power source.
2. Remove the draining plug. While doing this operation some residual water may spill put a pan to collect the water.
3. Connect the drain connector to a hose
4. The water can be continuously drained through the hose into a floor drain or bucket.
5. You can now turn on the unit.

## PROTECTION SYSTEM

This appliance features a protective device that, for safety reasons, will automatically power the appliance off automatically in the following cases:

### Cooling

When the room temperature is over 43°C.

If the room temperature is below 15°C.

### Dehumidifying

If the room temperature is below 15°C.

If the air conditioner is running in COOLING or DRY mode with the door or the window opened for a long time

when the relative humidity is above 80%, condensation on drops may drip down from the outlet.

To restart the unit after it has automatically shut down, wait three minutes.

If the appliance has been unplugged, the unit will operate in the default mode and you will have to set the timer again.

**Note:**

This appliance has a tank between the condenser and the water plate that collects condensed water. When the water reaches the max. level, the float switch and then tank full" indicator light will remind you to empty the water tank.

**Emptying the water tank**

1. Unplug the unit from power source
2. Place a shallow pan under the lower drain plug.
3. Remove the lower drain plug. Water will drain out and collect in the shallow pan.
4. After the water is drained, replace the lower drain plug firmly.
5. You can now turn on the unit.

**CLEANING AND MAINTENANCE**

Always unplug the appliance before cleaning and maintenance.

Wipe the outer surface of the appliance with a soft dry cloth. Should the appliance be very dirty, dampen the cloth with lukewarm water.

Do not clean the appliance with scourers, alcohol or any solvent cleaning products to avoid damaging the surface.

Never immerse the appliance or sprinkle it with water.

**To clean the air filter:**

1. Unplug the appliance and remove the air filter.
2. Rinse it in lukewarm water. After cleaning, dry in a shaded and cool place, then reinstall.

Note: If the filter has stubborn dirt or tough stains, you can dilute some detergent in the water.

If the environment is very dusty, clean the filter every two weeks.

Empty the condensed drain pan before storing the appliance for long periods of time to prolong the service life of the appliance.

Keep the appliance running with only the fan for a half day during a sunny day to dry the appliance on the inside and prevent it from going moldy.

Always cover all the drain plug properly before storing.

**TROUBLESHOOTING**

**The unit doesn't work.**

- The unit is not plugged in.
- Either the plug or the socket is damaged.
- The fuse is broken
- The battery on the remote is empty

Plug in the appliance.

Replace the power cord or try plugging it in a different socket.

Replace the fuse (contact a qualified electrician.)

Replace the battery in the remote.

**The appliance automatically stops.**

- You have set the timer on and the time has run out.
- It has reached the set temperature.
- The air outlet is blocked.

Turn the appliance back on.

Wait for it to automatically turn back on.

Remove any objects that may be blocking the air outlet.

### The unit does not cool (in cooling mode).

- The room temperature is lower than the set temperature.
- The machine has entered anti-frost protection.
- There's a door or a window opened.
- The air filter is dirty.
- The air outlet/intake is blocked.
- The set temperature is too high.

This is normal. The appliance will start working when the room temperature is higher than the set temperature.

The machine will switch on automatically when the anti-frost protection is over.

Close any doors or windows where the cold air might be escaping.

Clean the filter.

Remove any objects that may be blocking the air outlet/intake.

Try a lower setting.

### Water is leaking from the unit

- The water tank is full.
- The floor isn't level.

Empty the tank when full and before moving the appliance.

Place the unit on a flat level surface.

### LED Error code E2

- Room temperature is damaged.

Replace the room temperature sensor.

### LED Error code E3

- Evaporator oil pipe sensor is damaged.

Replace the evaporator oil pipe sensor.

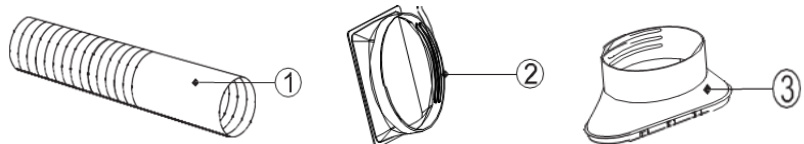
### LED Error code E4

- The water tank is full.

Empty the tank.

## INSTALLATION ACCESSORIES

1. Air exhaust duct
2. Connect of air exhaust of duct
3. Window exhaust adapter



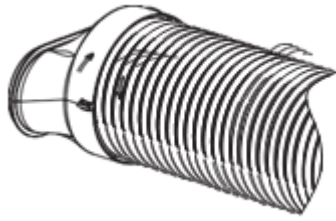
## INSTALL EXHAUSE HOSE AND ADAPTER

How to connect the connectors to the Air exhaust duct

Extend the air exhaust duct by drawing out the two ends of the duct.



Screw the air exhaust duct into the connector of air exhaust duct.



Connect the connector of air exhaust duct to the unit.

### TECHNICAL SPECIFICATION

Model	<b>8032</b>
Cooling Capacity	9000Btu/2600W
Cooling Input Power/Current	950W/4.3A
Air Flow Volume (m <sup>3</sup> /h)	400m <sup>3</sup> /h
Rated Voltage /Frequency (V/Hz)	230V~/50Hz
Sound Pressure Level (dB (A))	LPA : 54dB(A) LWA : 65dB(A)
Rated Energy Efficiency Ratio (EER rated)	2.6
EER rated Class	A
Net Weight (Kg)	24.5kg
Dimensions W*D*H	
Body (mm)	367 * 353 * 684mm
Package (mm)	410 * 410 * 870mm
Refrigerant	R290/200g
Applying Space(m <sup>2</sup> )	10~20m <sup>2</sup>
Miniature Fuse	3.15A 250VAC



### WARRANTY

The warranty for this product is 1 year from the date of purchase.

The warranty is void if the product is used for purposes other than its original purpose, or if the product is used for commercial / professional or rental use.

The warranty does not cover damage resulting from natural conditions or damage resulting from improper storage.

For warranty issues, contact your dealer.

### RECYCLE



After the implementation of the European Directive 2002/96/EU in the national legal system, the following applies:

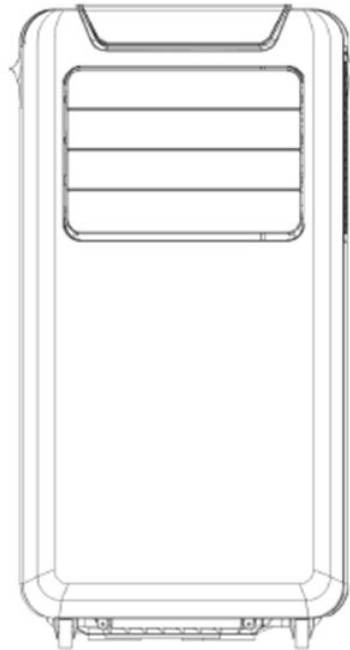
Electrical and electronic devices may not be disposed of with domestic waste. Consumers are obliged by law to return electrical and electronic devices at the end of their service lives to the public collecting points set up for this purpose or point of sale. Details to this are defined by the national law of the respective country. This symbol on the product, the instruction manual or the package indicates that a product is subject to these regulations. By recycling, reusing the materials or other forms of utilising old devices, you are making an important contribution to protecting our environment



# 9000BTU BÄRBAR LUFTKONDITIONERING

artikel 8032

HANDHAVANDE- OCH SKÖTSELMANUAL



Läs bruksanvisningen noggrant före instruktionerna.

Om du följer anvisningarna, minskar du risken för skador.

Användning annan än den som beskrivs i den här bruksanvisningen är förbjuden.

Den här produkten får inte användas av barn under 8 år eller av personer med nedsatt fysisk, sensorisk eller psykisk funktionsförmåga eller som inte har den erfarenhet eller kunskap som krävs, förutsatt att de inte övervakas eller har fått anvisningar om säker användning och de förstår de risker som förknippas med produktens användning.

Barn får inte leka med enheten.

Barnen ska inte ansluta apparaten till vägguttag, reglera eller rengöra apparaten eller göra underhållning gjordas av användare. Barnen, som är yngre än 3 år, ska hållas borta om dom inte kontinuerligt övervakas.

För att säkerställa bästa användning, läs dessa anvisningar nogas.

Säkerhetsåtgärderna minskar risken för personskada och skada på enheten. Förvara denna manual på en säker plats för framtida referens. Om tillämpligt, överlämna dessa anvisningar till apparatens nästa ägare. Vidtag alltid grundläggande säkerhetsåtgärder och åtgärder för förhindrande av olyckor vid användning av en elektrisk apparat.

## SÄKERHETSANVISNINGAR

Före användning av denna elektriska apparat ska följande grundläggande säkerhetsanvisningar alltid observeras:

- Enheten får endast användas för det avsedda ändamålet. Tillverkaren påtar sig inget ansvar för skador som uppkommer till följd av olämplig eller felaktig hantering.
- Använd den inte utomhus eller för kommersiella ändamål. Denna apparat är endast avsedd för användning i hemmiljö. Användning av enheten för kommersiella ändamål kommer att förverka garantin.
- Håll enheten mins 1 m från TV- eller radioapparater för att undvika elektromagnetiska störningar.
- Skydda och förvara apparaten borta från direkt solljus.
- Luta inte apparaten mer än 35°, och vänd den inte upp och ner under transport.
- Placera enheten på plant och stabilt underlag.
- Dra alltid stickkontakten ur eluttaget före rengöring, montering av tillbehör, demontering och när den inte används.
- Töm vattentanken innan apparaten flyttas

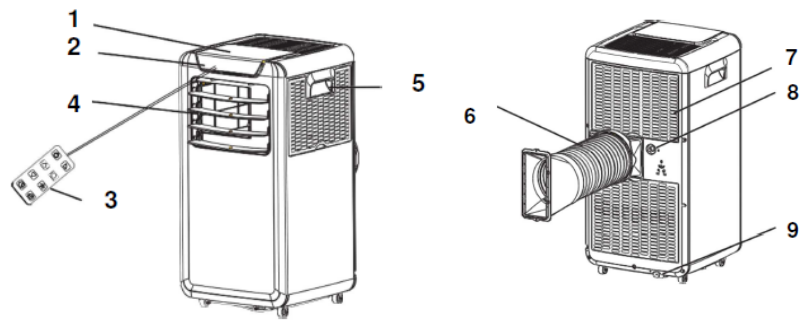


Risk för brand

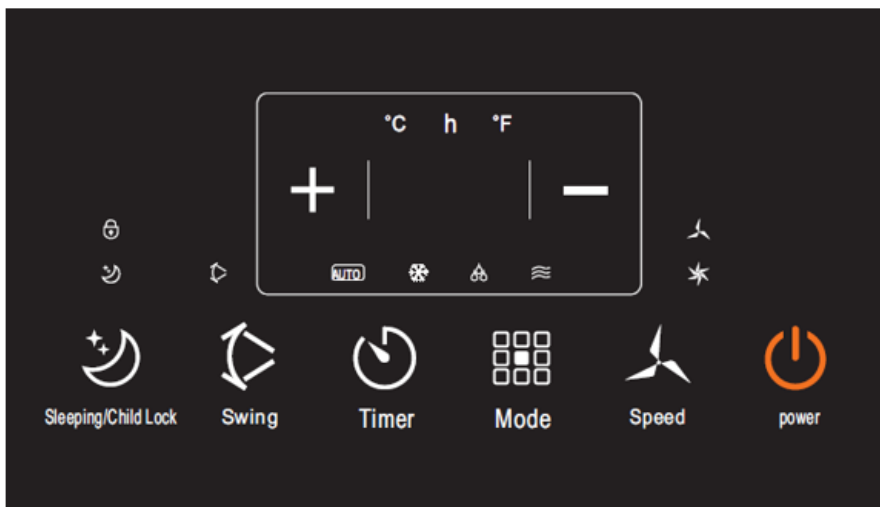
- All kabelförläggning måste överensstämma med lokala och nationella bestämmelser och får endast utföras av en kvalificerad elektriker.
- För din säkerhet och skydd är denna apparat försedd med en jordad stickkontakt. Säkerställ att eluttaget är jordat innan du ansluter apparaten. Kontakta en kvalificerad elektriker om du inte är säker på om eluttagen i ditt hem är korrekt jordade.
- Anslut inte denna apparat till en adapter eller en förlängningsladd.
- Dra alltid stickkontakten ur eluttaget före rengöring eller service.
- Luftkonditioneraren bör flyttas av två eller flera personer.
- Barn och sällskapsdjur ska hållas under uppsikt för att säkerställa att de inte leker med apparaten eller emballagematerialet.
- Denna apparat kan användas av barn från 8 års ålder och personer med nedsatt fysik, sensoriska eller mentala handikapp eller som saknar nödvändig erfarenhet och kunskap om de erhållit vägledning eller instruktioner i apparatens säkra handhavande och är medvetna om riskerna.
- Sänk aldrig ner nätsladden, stickkontakten eller apparatens hölje i vatten eller andra vätskor. Om enheten faller i vatten ska stickkontakten omedelbart dras ur eluttaget och apparaten kontrolleras av en expert innan den åter används. Den kan förorsaka brand, elchock, personskada eller dödsfall.
- Ta inte upp eller använd apparaten om nätsladden eller stickkontakten är skadade eller om enheten felfungerar eller har tappats eller är skadad på något sätt. I händelse av skada, kontakta eftermarknadsservice. En skadad nätsladd eller stickkontakt får, för att undvika personskador, endast bytas av tillverkaren eller en kvalificerad person.
- Använd inte andra än av tillverkaren rekommenderade medel för att påskynda avrostningsprocessen eller för att rengöra apparaten. Största mängden kylmedel är 200 g.
- Använd eller förvara inte enheten nära värmekällor (dvs. värmare, spisar, etc.).

## DELSLISTA

1. Kontrollpanel
2. Fjärrkontroll
3. Signalmottagare
4. Kallluftutlopp
5. Transporthandtag
6. Luftintag för evaporator
7. Luftutlopp
8. Primär dräneringsplugg



## KONTROLLPANEL



Effekt - Hastighet - Driftläge - Timer - Oscillation - Sömläge/Barnlås

## ANVISNINGAR FÖR HANDHAVANDE

### 1. Att starta enheten

- a) Sätt stickkontakten i ett eluttag. Enheten avger en ljudsignal och kraftindikeringslampan tänds
- b) Tryck på knappen "Power" varvid enheten slås på
- c) LED:n visar rumstemperaturen, och enheten startar i automatiskt driftläge.

### 2. Att välja driftlägen

Tryck på knappen "Mode" för att välja önskade driftläge enligt nedan:



### 3. Att justera temperaturen

Temperaturen kan ställas in mellan 15 och 31 °C i steg om 1 °C

Tryck på knapparna + eller - för att höja eller sänka temperaturen 1 °C. LED:n visar först måltemperaturen i 5 sekunder och därefter rumstemperaturen.

### 4. Att justera fläkthastigheten

Tryck på knappen "Speed" för att välja önskad fläkthastighet enligt nedan:



## 5. Kraft

Enheten avger en ljudsignal när du trycker på knappen "Power" igen. Kraftindikatorn släcks och enheten stängs av.

## 6. Sovläge

Tryck på denna knapp för att ställa luftkonditioneraren i sovläge

## 7. Timer

Tryck på denna knapp för att ställa in tidstyrd avstängning

## 8. Oscillation

Tryck på denna knapp för att ställa in oscillationen.

## Observera: Driftlägenas funktionsprincip

### Automatisk driftläge

1. När driftläge "Auto" har valts arbetar sensorn för inomhustemperaturen för att välja önskat driftläge med läge ❄ eller ❄.
2. När rumstemperaturen är  $\geq 24$  °C enheten att automatisk välja läge " "mode.
3. När rumstemperaturen är 24 °C, kommer enheten att automatiskt välja läge " ".

### Avfuktningläge

1. Den övre centrifugalfläkten kommer att arbeta med låg hastighet. Hastigheten kan inte justeras.
2. Kompressorn och den nedre centrifugalfläkten kommer att stoppa efter 8 minuter och därefter åter starta efter 6 minuter.
3. Enheten ställs in till konstant temperaturavfuktningläge och justering av temperatur kan inte utföras.

### Kylläge

1. Kompressorn startar när rumstemperaturen är högre än den inställda.
2. Kompressorn stoppar när rumstemperaturen är lägre än den inställda och den övre fläkten arbetar med den ursprungligen inställda hastigheten.

### Fläktläge

Den övre centrifugalfläkten arbetar med den inställda hastigheten. Kompressorn och den nedre centrifugalfläkten arbetar inte, och justering av temperaturen kan inte utföras.

### Timerdrift

1. När enheten arbetar, tryck på knappen "Timer" för att ställa in tiden för automatisk avstängning.
2. När enheten är klar, tryck på knappen "Timer" för att ställa in tiden för automatisk start.
3. Tiden kan ställas in mellan 1 och 24 timmar. Tryck på plustecknet (+) eller minustecknet (-) för att öka eller minska tiden med 1 timme vid varje tryckning.

### Sovläge

1. Sovläget är effektivt när enheten arbetar i läge "Kylning".
2. Tryck på knappen "Sleeping" i driftläge Kylning varvid enheten kommer att arbeta i sovläge och den övre centrifugalfläkten kommer att automatiskt arbeta med låg hastighet. Den inställda temperaturen höjs 1 °C efter 1 timme och höjs 2°C efter 2 timmar. Enheten stängs av efter sex timmar.
3. Tryck på barnlåsknappen i tre sekunder för att låsa alla andra funktioner. Tryck åter på barnlåsknappen för att låsa upp barnlåsfunktionen varvid de andra funktionerna åter blir tillgängliga.

## Oscillation

När enheten arbetar, tryck på knappen "Swing" varvid de vertikala jalusierna börjar oscillera. Jalusierna oscillerar inom 120 graders vinkel. Tryck åter på "Swing" varvid oscillationen stoppar.

## Observera:

Huvudstyrkrets-kortet har en minnesfunktion. När enheten är klar för användning med avstängd kan huvudstyrkrets-kortet komma ihåg föregående driftläge. När du startar enheten kommer den att arbeta med samma inställningar som vid föregående användning. Du behöver inte ställa in driftläget igen (denna funktion är inte tillgänglig när enheten arbetar i driftläge "Kylning")

## Fjärrkontrollens handhavande

### Kraft

Apparaten startar om den är ansluten till nätspänningen eller stoppa om den är i drift när du trycker på denna knapp:

### Driftläge

Tryck på denna knapp för att välja driftläge "Auto", "Kylning", "Avfuktning" eller "Fläkt"

### Fläkt

Tryck på denna knapp för att välja fläkthastighet + / -  
Tryck på denna knapp för att justera måltemperaturen och timern

### Sovläge

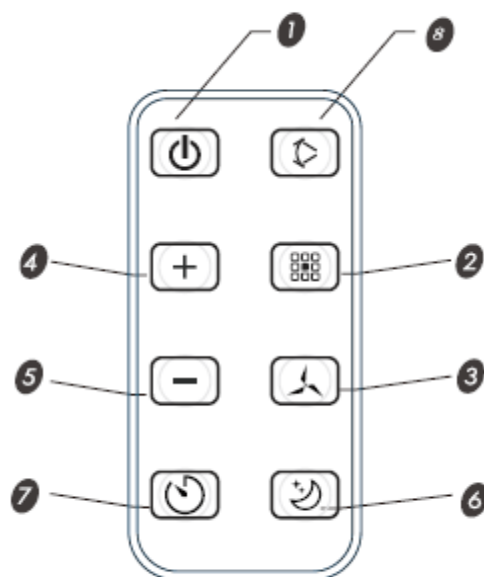
Tryck på denna knapp för att ställa in eller avbryta sovläget

### Timer

Tryck på denna knapp för att ställa in automatisk start och avstängning

### Oscillation

Tryck på denna knapp för att ställa in automatisk oscillation



## KONTINUERLIG DRÄNERING

När enheten körs i läge Avfuktning rekommenderar vi kontinuerlig dränering.

1. Dra stickkontakten ur eluttaget.
2. Avlägsna dräneringspluggen. En liten mängd kvarstående vatten kan rinna ut. Samla in vattnet i en skål.
3. Anslut en slang till dräneringskopplingen.
4. Vattnet kan dräneras kontinuerligt till en golvvavlopp eller en hink.
5. Du kan nu starta enheten.

## SÄKERHETSSYSTEM

Denna apparat är försedd med en skyddsanordning som av säkerhetsskäl kommer att automatiskt stänga av enheten i följande fall:

### Kylning

När rumstemperaturen är högre än 43 °C.

När rumstemperaturen är lägre än 15 °C.

### Avfuktning

När rumstemperaturen är lägre än 15 °C.

När luftkonditioneraren arbetar i lägen KYLNING eller TORKNING och dörren eller ett fönster är öppna under en längre tid

när den relativa fuktigheten är högre än 80 % kan kondensvatten droppa från utloppet.

Vänta tre minuter innan enheten återstartas efter en automatisk avstängning.

Om stickkontakten inte varit ansluten kommer enheten att starta i det fabriksinställda läget och du måste ställa in timern igen.

#### **Observera:**

Denna apparat har en tank mellan kondensorn och vattenskålen där kondensvattnet insamlas.

När vattennivån når maxnivån tänds flottöromkopplaren indikeringslampan "Tanken full" för att påminna dig om att tömma vattentanken.

#### **Att tömma vattentanken**

1. Dra stickkontakten ur eluttaget
2. Placera en låg skål under den nedre dräneringspluggen.
3. Avlägsna den nedre dräneringspluggen. Vatten kommer att dräneras ut och insamlas i den låga skålen.
4. Sätt tillbaka pluggen när allt vatten dränerats ut.
5. Du kan nu starta enheten.

#### **RENGÖRING OCH UNDERHÅLL**

Dra alltid stickkontakten ur eluttaget före rengöring och underhåll.

Torka apparatens yttre yta med en mjuk och torr trasa. Om apparaten är mycket smutsig kan trasa fuktas med ljummet vatten.

Rengör inte apparaten med slipande rengöringsmedel, alkohol eller lösningsmedel för att undvika skador på ytan.

Sänk aldrig ner enheten i vatten, och spruta inte vatten på den.

#### **Att rengöra luftfiltret:**

1. Dra stickkontakten ur eluttaget och avlägsna luftfiltret.
2. Skölj det i ljummet vatten. Låt filtret lufttorka på en skuggig och sval plats och återinstallera de därefter.

Observera: Om filtret har hårt sittande smuts eller fläckar kan du spä ut rengöringsmedel i vattnet.

I mycket dammig miljö bör filtret rengöras varannan vecka.

Töm kondensvattenskålen innan enheten förvaras längre tid för att förlänga apparatens livslängd.

Låt enheten arbeta en halv dag i läge Fläkt för att torka apparatens insida och förhindra mögelbildning.

Täck alltid över alla dräneringspluggar före förvaring.

#### **FELSÖKNING**

##### **Fjärrkontrollen arbetar inte.**

- Enheten är inte ansluten till nätspänning.
- Stickkontakten eller eluttaget är skadade.
- Säkringen har löst ut
- Batteriet i fjärrkontrollen är uttömt

Anslut apparaten till ett eluttag.

Byt ut nätsladden eller försök ansluta den till ett annat eluttag.

Byt ut eller återställ säkringen (kontakta en kvalificerad elektriker).

Byt ut batteriet i fjärrkontrollen.

##### **Apparaten stoppar automatiskt.**

- Du har ställt in timern och tiden har löpt ut.
- Den inställda temperaturen har nåtts.
- Luftutloppet är blockerat.

Starta apparaten igen.

Vänta tills den startar automatiskt.

Avlägsna föremål som kan blockera luftutloppet.

#### **Enheten kylar inte (i kyläge).**

- Rumstemperaturen är lägre än den inställda.
- Frostskyddet i maskinen är aktiverat.
- En dörr eller ett fönster är öppet.
- Luftfiltret är smutsigt.
- Luftutloppet/-inloppet är blockerat.
- Den inställda temperaturen är för hög.

Detta är normalt. Apparaten kommer att starta när rumstemperaturen är högre än den inställda.

Maskinen kommer att starta automatiskt när frostskyddet är över.

Stäng dörrar eller fönster där den kalla luften kan strömma ut.

Rengör filtret.

Avlägsna föremål som kan blockera luftutloppet/-inloppet.

Försök med en lägre inställning.

#### **Vatten läcker ut från enheten.**

- Vattentanken är full.
- Golvet är inte horisontalt.

Töm tanken när den är full och innan apparaten flyttas.

Placera enheten på plant och horisontalt underlag.

#### **LED felkod E2**

- Rumstemperatursensorn är skadad.

Byt ut sensorn.

#### **LED felkod E3**

- Evaporatorns oljerörsensor är skadad.

Byt ut sensorn.

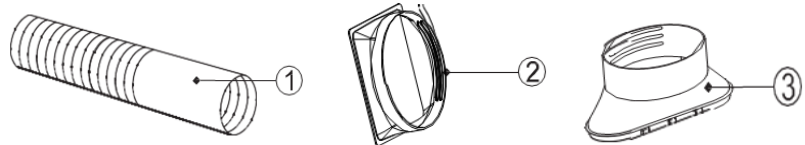
#### **LED felkod E4**

- Vattentanken är full.

Töm vattentanken.

### **INSTALLATIONSTILLBEHÖR**

1. Luftutloppskanal
2. Koppling för luftutloppskanal
3. Fönsteradapter



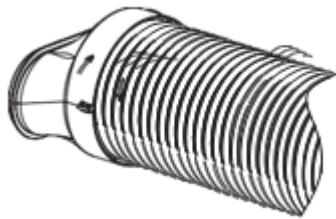
### **ATT INSTALLERA UTLOPPSKANALEN OCH ADAPTERN**

Hur att ansluta kopplingarna till luftutloppskanalen

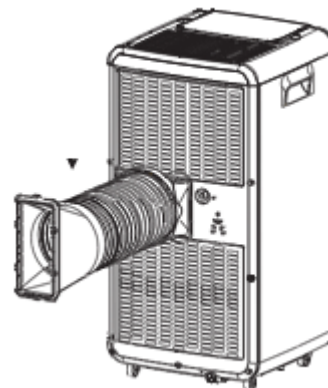
Förläng luftutloppskanalen genom att dra ut dess två ändar.



Skruva fast luftutloppskanalen på kopplingen.



Anslut kopplingen på enheten.



## TEKNISKA SPECIFIKATIONER

Modell	<b>8032</b>
Kylkapacitet	9000Btu/2600W
Tillförd effekt/Strömförbrukning	950W / 4.3A
Luftflödesvolym (m <sup>3</sup> /h)	400m <sup>3</sup> /h
Nominell spänning/Frekvens (V/Hz)	230 VAC/50 Hz
Ljudtrycksnivå (dB (A))	LPA: 54 dB(A) LWA: 65 dB(A)
Energieffektivitetsförhållande	2,6
Energieffektivitetsklass	A
Nettovikt (kg)	24.5kg
Dimensioner BxDxH	
Hölje (mm)	367 * 353 * 684mm
Emballage (mm)	410 * 410 * 870mm
Kylmedel	R290/200g
Lämpligt utrymme (m <sup>2</sup> )	10~20m <sup>2</sup>
Miniatyrsäkring	3,15 A, 250 VAC



## Bortskaffning av apparater och batterier



Efter införandet av det europeiska direktivet 2002/96/EU i det nationella juridiska systemet gäller följande:

Elektriska och elektroniska apparater får inte kastas bland hushållssopor. Konsumenterna är enligt lag skyldiga att inlämna elektriska och elektroniska apparater på för detta ändamål upprättade allmänna insamlingsplatser vid slutet av apparaternas livslängd. Detaljer om detta stipuleras i respektive lands nationella lagar. Denna symbol på produkten, i bruksanvisningen eller på emballaget anger att produkten är underställd dessa bestämmelser. Genom återvinning, återanvändning av material eller annan form av användning av gamla apparater bidrar du till skyddet av vår miljö.

## GARANTI:

Produktgarantin gäller i ett år från inköpsdatum.

Garantin gäller inte om produkten används för andra ändamål än det ursprungliga ändamål, eller om produkten används för kommersiell/professionell eller hyra bruk.

Garantin gäller inte med skador som orsakats av naturförhållanden, inga skador på grund av felaktig förvaring.

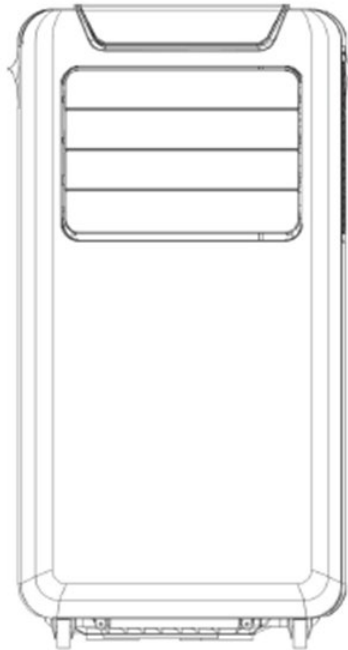
För garanti, kontakta din återförsäljare.



# 9000BTU TRANSPORTABELT KLIMAANLÆG

artikel 8032

BRUGS- OG VEDLIGEHOLDELSERVEJLEDNING



Læs disse instruktioner omhyggeligt før brug.

Instruktionerne reducerer risikoen for personskade.

Det er forbudt at bruge enheden på anden måde end den heri angivne.

Børn over 8 år med fysiske, sensoriske eller mentale handicap eller uerfarne personer må kun bruge enheden under opsyn, eller hvis de er blevet korrekt vejledt i at bruge produktet på sikker vis, og hvis de forstår de farer, der er forbundet med brug af enheden.

Lad ikke børn lege med enheden.

Lad ikke børn slutte enheden til en stikkontakt eller rengøre den eller på anden vis have noget at gøre med enheden uden opsyn.

Hold børn på under 3 væk fra enheden, medmindre de er under konstant opsyn.

Inden du bruger apparatet, bør du læse disse instruktioner omhyggeligt for at sikre den bedste anvendelse.

Sikkerhedsforanstaltningerne reducerer risikoen for personskade samt beskadigelse af enheden.

Opbevar vejledningen et sikkert sted til senere brug. Giv disse instruktioner videre til den næste ejer af apparatet, hvis det bliver relevant. Følg altid de grundlæggende sikkerhedsforanstaltningerne og foranstaltningerne til forebyggelse af ulykker, når du bruger et elektrisk apparat.

## SIKKERHEDSINSTRUKTIONER

Inden du bruger dette elektriske apparat, bør følgende grundlæggende sikkerhedsforanstaltninger altid følges:

- Enheden må kun bruges til de tilsigtede formål. Producenten vil ikke blive holdt ansvarlig for skader, der måtte opstå af forkert brug eller fejlagtig håndtering.
- Dette apparat må ikke anvendes udendørs eller til erhvervsbrug. Dette apparat er kun beregnet til husholdningsbrug. Hvis denne enhed anvendes til erhvervsbrug, ugyldiggøres garantien.
- Hold enheden mindst 1 meter væk fra fjernsyn eller radioer for at undgå elektromagnetisk interferens.
- Bevar og opbevar apparatet uden for direkte sollys.
- Vip ikke apparatet mere end 35°, og vend det ikke på hovedet under transport.
- Opbevares i lodret position
- Anbring enheden på en flad, stabil overflade.
- Træk altid apparatets stik ud inden rengøring, installation af tilbehør, demontering, og når det ikke er i brug.
- Tøm vandbeholderen, inden apparatet flyttes

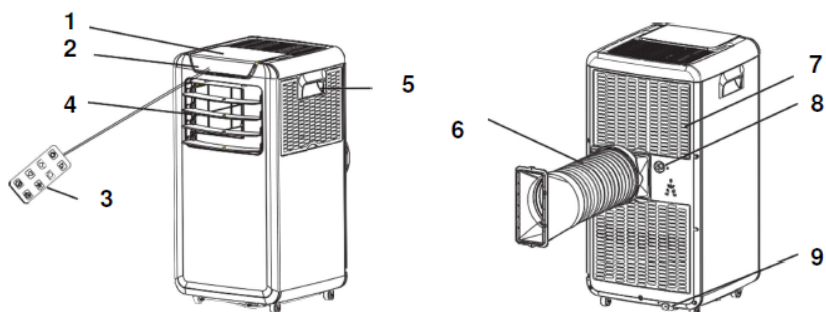


Risiko for brand

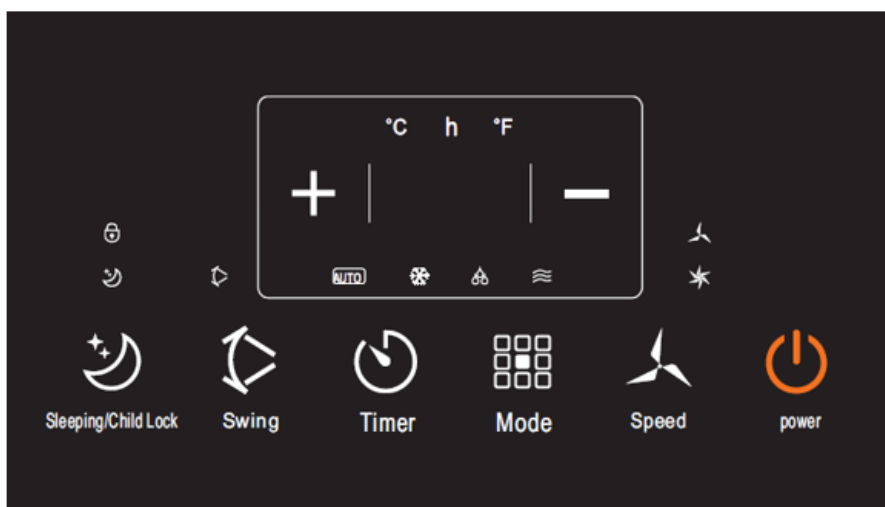
- Alle ledninger skal overholde lokale og nationale el-love og skal installeres af en kvalificeret elektriker.
- Af hensyn til din sikkerhed og beskyttelse har dette apparat et jordforbundet stik. Sørg for, at stikkontakten er jordforbundet, inden du tilslutter apparatet. Hvis du ikke er sikker på, at stikkontakterne i dit hjem er korrekt jordforbundet, bør du kontakte en kvalificeret elektriker.
- Slut ikke dette apparat til en adapter eller en forlængerledning.
- Træk altid apparatets stik ud af kontakten inden rengøring eller service.
- Brug to eller flere personer til at flytte og installere klimaanlægget.
- Børn og dyr bør holdes under opsyn for at undgå, at de leger med apparatet eller emballagen.
- Apparatet kan bruges af børn fra 8 år og derover, og personer med nedsatte fysiske, sansemæssige eller mentale evner eller mangel på erfaring og viden, hvis de bliver overvåget eller har modtaget instruktioner vedrørende sikker brug af apparatet og forstår de hermed forbundne farer.
- Nedsænk aldrig ledningen, stikket eller hovedlegemet af apparatet i vand eller andre væsker. Hvis enheden falder i vandet, skal du straks trække dets stik ud af stikkontakten og få apparatet kontrolleret af en ekspert, inden det bruges igen. Det kan forårsage brand, stød, tilskadekomst eller dødsfald.
- Undlad at tage apparatet op eller betjene det, hvis strømforsyningsledningen eller stikket er beskadiget, eller hvis enheden har en funktionsfejl eller er blevet tabt eller beskadiget på nogen måde. Kontakt eftersalgsservicen i tilfælde af beskadigelse. En beskadiget ledning eller et beskadiget stik må udelukkende blive udskiftet af producenten eller en kvalificeret person for at undgå personskader.
- Brug ikke andre midler til at fremskynde afrimningsprocessen eller til at rengøre apparatet end dem, der anbefales af producenten. Den maksimale mængde af kølemiddel er 200 g.
- Opbevar eller brug ikke enheden nær varmekilder (dvs. varmeapparater, brændeovne osv.)

## LISTE OVER DELE

1. Betjeningspanel
2. Fjernbetjening
3. Signalmottager
4. Udtag til kold luft
5. Transporthåndtag
6. Fordamperens luftindtag
7. Luftudtag
8. Primær drænprop



## BETJENINGSPANEL



Power (Tænd/sluk) - Speed (Hastighed) – Mode (Tilstand) – Timer – Swing (Sving) - Sleeping/Child lock (Dvale/Børnesikring)

## BRUGSINSTRUKTIONER

### 1. Tænd for enheden

- Tilslut, og enheden bipper, når tænd/sluk-indikatorlyset er tændt
- Tryk på "Power"-knappen, og så tændes enheden
- LED-lamperne viser rumtemperaturen og fungerer i automatisk tilstand

### 2. Valg af betjeningstilstand

Tryk på knappen "Mode" (Tilstand) for at vælge en ønsket tilstand vist herunder:



### 3. Juster temperatur

Temperaturen kan indstilles inden for et interval på 15 °C til 31 °C med 1 °C  
Tryk på knappen + eller - for at øge eller reducere temperaturen 1°C ved at trykke en gang, og enhedens LED viser måltemperaturen i 5 sekunder og viser derefter rumtemperaturen.

### 4. Juster ventilatorhastighed

Tryk på knappen "Speed" (Hastighed) for at vælge en ønsket ventilatorhastighed vist herunder:



### 5. Power

Når du trykker på knappen "Power" igen, udsender enheden "bip". Strømindikatoren slukkes og holder op med at virke.

### 6. Sleeping (Dvale)

Tryk på denne knap for at sætte klimaanlægget i dvaletilstand

### 7. Timer



Tryk på denne knap for at indstille en tidsindstillet slukning

### 8. Swing (Sving)

Tryk på denne knap for at indstille sving.

## Bemærk: Driftsprincip for hver tilstand

### Automatisk tilstand

1. Når der er valgt "Auto", fungerer indetemperatursensoren automatisk for at vælge den ønskede driftstilstand med tilstanden  eller .
2. Når rumtemperaturen er  $\geq 24$  °C, vælger enheden automatisk tilstanden " ".
3. Når rumtemperaturen er  $< 24$  °C, vælger enheden automatisk tilstanden " ".

### Affugtningstilstand

1. Op-centrifugalventilatoren kører ved lav hastighed. Hastigheden kan ikke justeres.
2. Kompressoren og ned-centrifugalventilatoren stopper efter at have kørt i 8 minutter og kører derefter igen efter 6 minutter.
3. Enheden går over i konstant temperatur under affugtningstilstand, og justeringen af temperaturen er ikke effektiv.

### Kølingstilstand

1. Når rumtemperaturen er højere end den indstillede temperatur, begynder kompressoren at køre.
2. Når rumtemperaturen er lavere end den indstillede temperatur, standser kompressoren, og den øvre ventilator fungerer ved den oprindeligt indstillede hastighed.

### Ventilatortilstand

Op-centrifugalventilatoren kører ved den indstillede hastighed. Kompressor og ned-centrifugalventilatoren kører ikke, og justeringen af temperaturen er ikke effektiv.

### Timerbetjening

1. Tryk på knappen "Timer" for at indstille det automatiske tidspunkt for tænding , når enheden kører.
2. Tryk på knappen "Timer" for at indstille det automatiske tidspunkt for slukning, når enheden er klar.
3. Tiden kan justeres inden for et område på 1 time til 24 timer. Tryk på knappen med plus-tegnet (+) eller minus-tegnet (-) for at øge eller reducere tiden 1 time ved at trykke én gang.

### Dvaledrift

1. Dvaledriften er effektiv, når enheden er i "Cooling"-tilstanden.

- Tryk på knappen "Sleeping"(Dvale) i tilstanden "Cooling" (Køling). Derefter går enheden i dvaletilstand og op-centrifugalventilatoren skifter automatisk til lav hastighed. Den indstillede temperatur stiger med 1 °C efter en time og stiger med 2 °C efter to timer. Efter seks timer stopper enhedens drift.
- Tryk på børnesikringsknappen i tre sekunder, for at ingen andre funktioner kan bruges. Tryk på børnesikringsknappen i 3 sekunder igen for at låse op for børnesikringsfunktionen, og alle de andre funktioner kan bruges igen.

### Svingbetjening

Når enheden er tændt, og du trykker på "Swing" (Sving), vil den vertikale lamel blive tændt eller slukket. Når den er tændt, kan lamellen svinge frem og tilbage inden for 120 grader. Tryk igen på "Swing"(Sving), og lamellen stopper med at svinge.

#### Bemærk:

Hovedkontrolltavlen har en hukommelsesfunktion, når enheden er klar til at køre, men i stopstatus kan hovedkontrolltavlen memorere initialiseringen af driftstilstanden. Når du tænder for enheden, virker den med de samme driftstilstandsindstillinger som sidste gang, og det er ikke nødvendigt at nulstille driftstilstanden igen. (Denne tilstand er ikke tilgængelig, når enheden er i "Cooling"-tilstand)

### Instruktioner til fjernbetjening

#### Tænd/sluk

Apparatet starter, når det strømforsynes eller det stopper, når det er i drift, hvis du trykker på denne knap:

#### Tilstand

Tryk på denne knap for at vælge tilstanden "Auto"(Automatisk) "Cooling" (Køling) "Dehumidify" (Affugtning) "Fan" (Ventilator)

#### Ventilator

Tryk på denne knap for at vælge ventilatorhastigheden i sekvenser + / -

Tryk på denne knap for at justere den ønskede temperatur og timeren

#### Sleeping (Dvale)

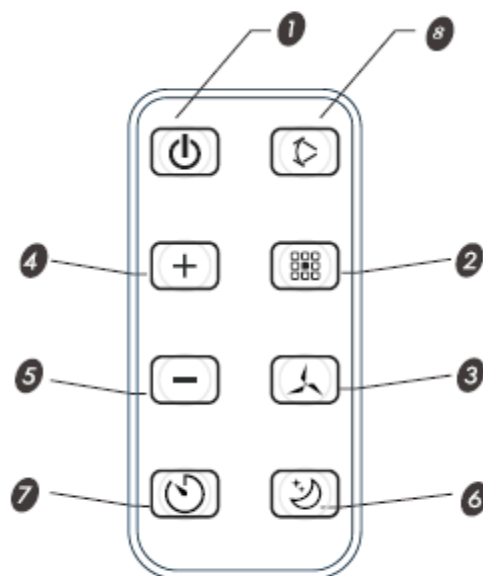
Tryk på denne knap for at indstille eller annullere "Sleeping" (dvaledrift)

#### Timer

Tryk på denne knap for automatisk at slå fra og til

#### Swing (Sving)

Tryk på denne knap for at indstille automatisk sving



### KONTINUERLIG DRÆNING

Mens du bruger enheden i affugtningstilstand, anbefales der kontinuerlig dræning.

- Træk enhedens stik ud af strømkilden.
- Fjern dræningsproppen. Mens du udfører denne handling, kan der blive spildt noget restvand, så stil en skål til opsamling af vandet.
- Slut drænkonnektoren til en slange
- Vandet kan blive drænet kontinuerligt gennem slangen ned i gulv afløbet eller en spand.
- Nu kan du tænde for enheden.

### BESKYTTELSESSYSTEM

Dette apparat har en beskyttelsesenhed, der af sikkerhedsmæssige årsager slukker automatisk for apparatet i følgende tilfælde:

#### **Køling**

Når rumtemperaturen er over 43 °C.

Hvis rumtemperaturen er under 15 °C.

#### **Affugtning**

Hvis rumtemperaturen er under 15 °C.

Hvis klimaanlægget kører i tilstanden COOLING (KØLING) eller DRY (TØR), mens døren eller vinduet er åbent i lang tid

når den relative fugtighed er over 80 %, kan der dryppe dråber af kondensvand ned fra udtaget.

For at genstarte enheden, efter den automatisk er lukket ned, skal du vente tre minutter.

Hvis apparatets stik har været taget ud af stikkontakten, vil enheden fungere i standardtilstand, og du skal indstille timeren igen.

#### **Bemærk:**

Dette apparat har en beholder mellem kondensatoren og vandpladen, som indsamler kondensvand.

Når vandet når det maksimale niveau, minder flydekontakten og derefter indikatorlyset for fuld beholder dig om at tømme vandbeholderen.

#### **Tømning af vandbeholderen**

1. Træk enhedens stik ud af strømkilden
2. Anbring en lav skål under den nederste drænprop.
3. Fjern den nederste drænprop. Vandet drænes ud og samles i den lave skål.
4. Efter vandet er drænet, skal den nederste drænprop sættes på plads.
5. Nu kan du tænde for enheden.

#### **RENGØRING OG VEDLIGEHOLDELSE**

Træk altid apparatets stik ud af kontakten inden rengøring og vedligeholdelse.

Tør apparatets udvendige overflade af med en blød, tør klud. Hvis apparatet er meget beskidt, bør kluden fugtes med lunkent vand.

Rengør ikke apparatet med skuresvampe, sprit eller rengøringsprodukter med opløsningsmidler for at undgå at beskadige overfladen.

Apparatet må aldrig nedsænkes eller sprøjtes med vand.

#### **Sådan rengøres vandfilteret:**

1. Træk apparatets stik ud, og fjern luftfilteret.
2. Skyl det i lunkent vand. Efter rengøringen skal det tørres i et skygget og køligt område og derefter geninstalleres.

Bemærk: Hvis filteret har genstridigt snavs eller kraftige pletter, kan du fortynde noget rengøringsmiddel i vandet.

Hvis miljøet er meget støvet, skal du rengøre filteret hver anden uge.

Tøm skålen med drænet kondensvand, inden du opbevarer apparatet gennem længere perioder, for at forlænge apparatets levetid.

Lad apparatet køre med kun ventilatoren i en halv dag, når solen skinner, for at tørre apparatet på indersiden og forhindre, at der opstår mug.

Dæk altid drænproppen ordentligt, inden den opbevares.

#### **FEJLFINDING**

##### **Enheden virker ikke.**

- Enheden er ikke tilsluttet.
- Enten er stikket eller kontakten beskadiget.

- Sikringen er ødelagt
- Batteriet i fjernbetjeningen er afladet

Tilslut apparatet.

Udskift strømledningen, eller prøv at sætte den i en anden stikkontakt.

Udskift sikringen (kontakt en kvalificeret elektriker.)

Udskift batteriet i fjernbetjeningen.

### **Apparatet stopper automatisk.**

- Du har slået timeren til, og tiden er udløbet.
- Det har nået den indstillede temperatur.
- Luftudtaget er blokeret.

Tænd for apparatet igen.

Vent på, at det bliver tændt automatisk igen.

Fjern eventuelle genstande, der kan blokere luftudtaget.

### **Enheden køler ikke (i kølingstilstand).**

- Rumtemperaturen er lavere end den indstillede temperatur.
- Maskinen er gået ind i antifrost-beskyttelse.
- En dør eller et vindue står åbent.
- Luftfilteret er beskidt.
- Luftudtaget/-indtaget er blokeret.
- Den indstillede temperatur er for høj.

Dette er normalt. Apparatet begynder at virke, når rumtemperaturen er højere end den indstillede temperatur.

Maskinen tændes automatisk, når antifrost-beskyttelsen er ovre.

Luk eventuelle døre eller vinduer, så den kolde luft kan slippe ud.

Rengør filteret.

Fjern eventuelle genstande, der kan blokere luftudtaget/-indtaget.

Prøv en lavere indstilling.

### **Der lækker vand ud af enheden**

- Vandbeholderen er fuld.
- Gulvet er ikke plant.

Tøm beholderen, når den er fuld, og inden du flytter apparatet.

Anbring enheden på en plan, vandret overflade.

### **LED-fejlkode E2**

- Rumtemperatursensor er beskadiget.

Udskift rumtemperatursensoren.

### **LED-fejlkode E3**

- Fordamperolierørsensoren er beskadiget.

Udskift fordamperolierørsensoren.

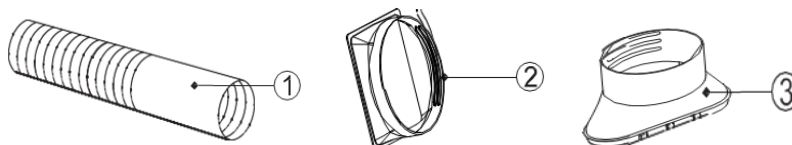
### **LED-fejlkode E4**

- Vandbeholderen er fuld.

Tøm beholderen.

## **INSTALLATIONSTILBEHØR**

1. Luftudsugningskanal
2. Tilslutning af luftudsugningskanal
3. Vinduesudsugningsadapter

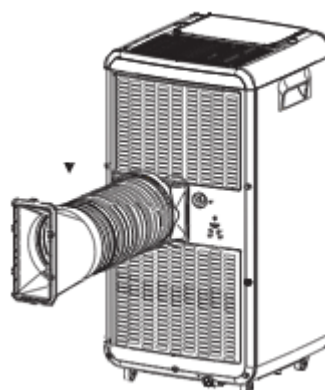
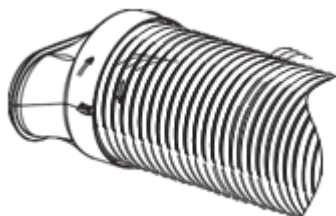


## **INSTALLER UDSUGNINGSSLANGE OG ADAPTER**



Sådan sluttes konnektorerne til luftudsugningskanalen  
Udvid luftudsugningskanalen ved at trække de to ender af kanalen ud.

Skru luftudsugningskanalen ind i luftudsugningskanalens konnektor.



Slut luftudsugningskanalens konnektor til enheden.

### TEKNISK SPECIFIKATION

Model	<b>8032</b>
Kølekapacitet	9000Btu/2600W
Køleindgangseffekt/strøm	950W/4.3A
Luftstrømningsmængde (m <sup>3</sup> /t)	400m <sup>3</sup> /h
Nominal spænding/frekvens (V/Hz)	230 V~/50 Hz
Lydtrykniveau (dB (A))	LPA : 54 dB(A) LWA : 65 dB(A)
Nominal energieffektivitetskvotient (EER-vurderet)	2,6
EER-vurderingsklasse	A
Nettovægt (kg)	24.5kg
Mål WXDXH	
Hovedlegeme (mm)	367 * 353 * 684mm
Pakke (mm)	410 * 410 * 870mm
Kølemiddel	R290/200g
Brugsplads (m <sup>2</sup> )	10~20m <sup>2</sup>
Miniaturesikring	3,15 A 250 VAC



### GENBRUG



Efter implementeringen af EU-direktiv 2002/96/EF i de nationale love gælder følgende:  
Elektriske og elektroniske enheder må ikke bortskaffes med husholdningsaffald. Forbrugere er ifølge loven forpligtet til at indlevere elektriske og elektroniske enheder, når disses levetid er slut, til offentlige indsamlingssteder, der er oprettet til dette formål, eller til salgsstedet. Detaljer om dette er angivet i den nationale lov i det respektive land. Dette symbol på produktet, instruktionsvejledningen eller emballagen viser, at produktet er underlagt disse forordninger. Gennem genbrug, genanvendelse af materialerne eller andre slags udnyttelser af gamle enheder giver du et vigtigt bidrag til miljøbeskyttelsen.

### GARANTI

Garantien for dette produkt er 1 år fra købsdatoen.

Garantien ugyldiggøres, hvis produktet bliver brugt til andre formål end dets oprindelige formål, eller hvis produktet bruges til et forretningsmæssigt/professionelt formål eller til udlejning.



Garantien dækker ikke skade, der er opstået fra naturlige forhold, eller skade, der er opstået fra uhensigtsmæssig opbevaring.

Kontakt din forhandler i forbindelse med garantispørgsmål.

**Blue Import BIM Oy** Hampuntie 12-14, 36220 Kangasala, Finland

# Installation instructions AirLock



First open the window and clean the surfaces to be bonded from dust and fat on the window frame and casement. Open the Velcro fastener and stick the Velcro strap to the window frame (**side A**).

**Never stick it to the contact surface of the window seal (window must still be able to close)!**



Stick Velcro strap (**side B**) to the **a)** outside or **b)** inside of the window casement (side of the window handle).

**Be sure that the window still is able to close. Before sticking together make sure that the sticky tape doesn't damage the window frames!**



First stick the wide **side A** (zipper is closed) with open windows from the middle to the left and right side or to the up and down side to the window frame.



Close window and make sure that the AirLock isn't clamped.



Stick the narrow **side B** (zipper is closed) from the middle to the left and right side or to the up and down side to the casement.



Open window slightly and pinch air hose in the AirLock by using the zipper.



The AirLock is ready for use now.

