

Antal	Beskrivning
-------	-------------

1	<b>SCALA1 3-45</b>
---	--------------------



Art.nr.: [99530405](#)

The Grundfos SCALA1 is a self-priming, multistage pump, that incorporates all the components of a pressure booster into a compact composite enclosure.

As it is self-priming, the SCALA1 can pump water from a level below the pump.

Provided it is filled with water, the pump can lift water from a depth of 8 m in less than 5 minutes.

This facilitates easy installation and start-up of the pump and provides more reliable water supply in installations where there is a risk of dry running and leakages in suction hose or pipes.

SCALA1 can communicate with Grundfos GO app via built in Bluetooth, which enables detailed pump monitoring and high customization options, making this pump a good fit for every application.

SCALA1 incorporates advanced protection features such as:

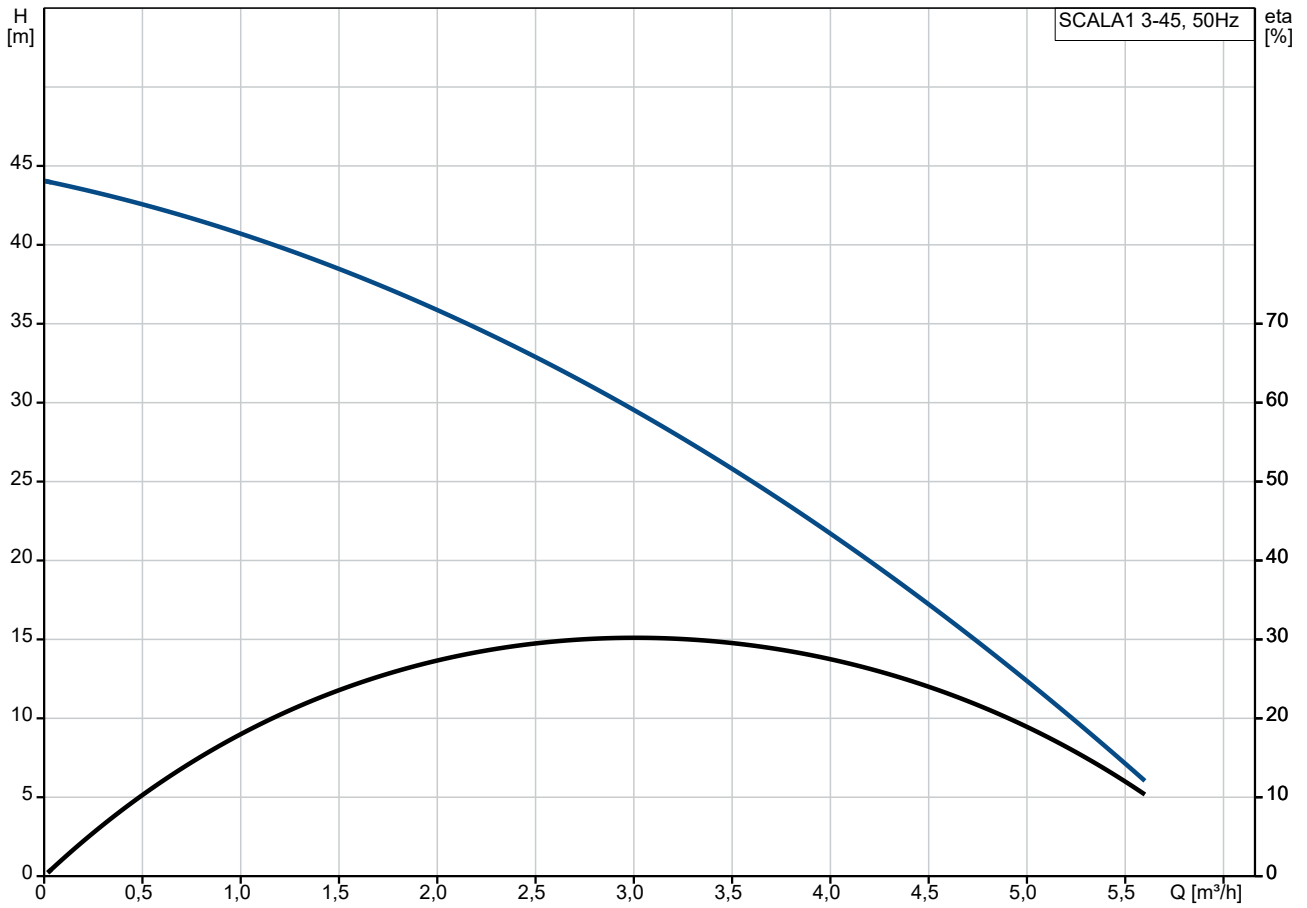
- Dry running protection that will automatically stop the pump in case of water shortage
- Cycling protection which will prevent pump starting frequently in case of minor leakages in installation
- Max runtime protection can stop the pump after a desired period of continuous operation, preventing potential damage due flooding in case of pipe breakages.

The pump has a built-in motor protection that will stop the pump if exposed to excessive temperature due to high ambient temperature, in case of seizure or overload, thus preventing a motor burnout.

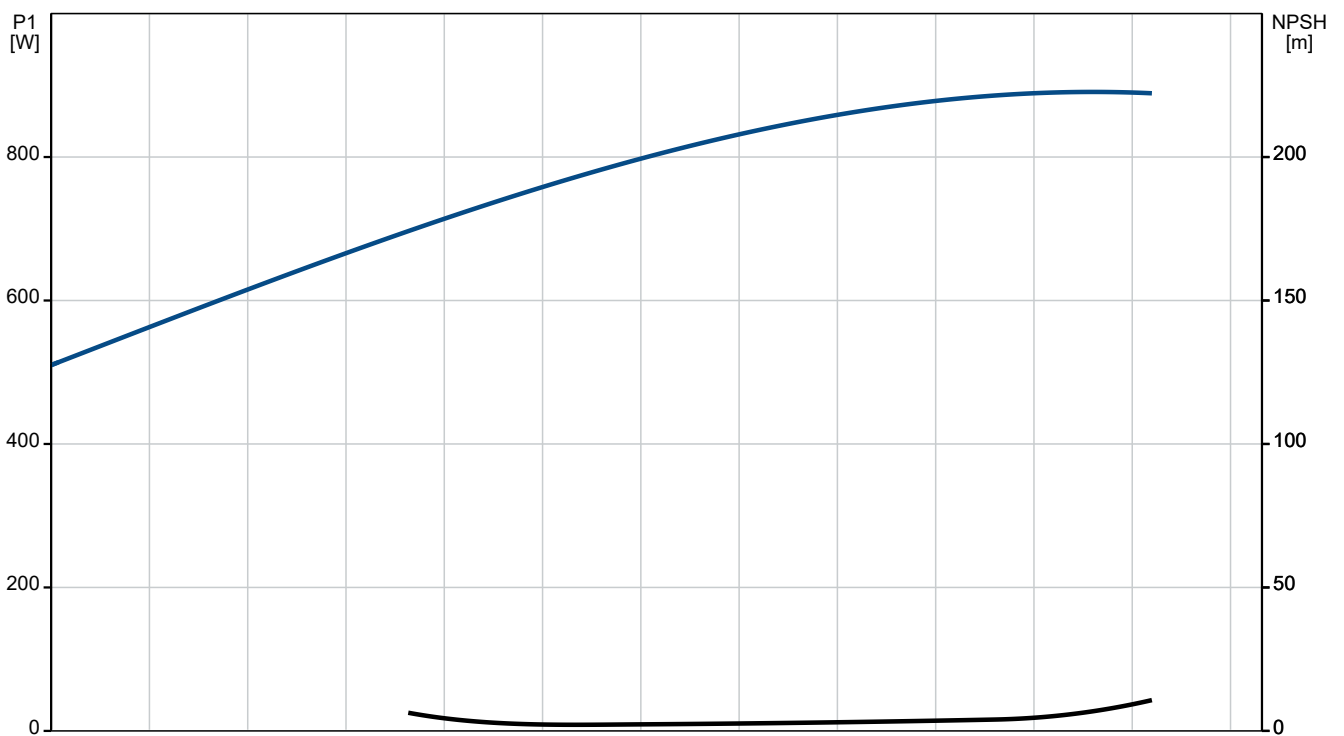
With Grundfos GO you can easily setup SCALA1 as a Twin booster system, operating as duty/stand by as well as duty/assist. It is also possible to add external input control and schedule a pump operation via calendar function.

SCALA1 require no maintenance, but it is recommended to keep the pump clean, check the non-return valves and keep the ventilation holes free of dust.

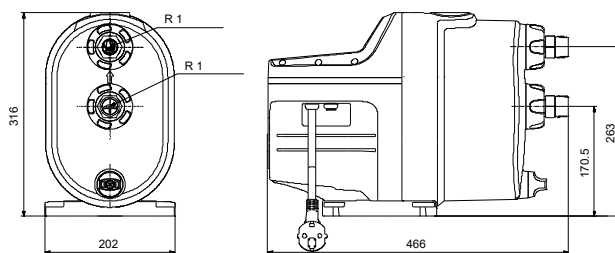
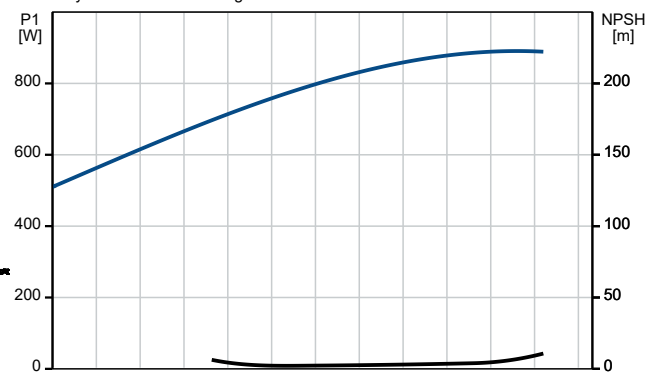
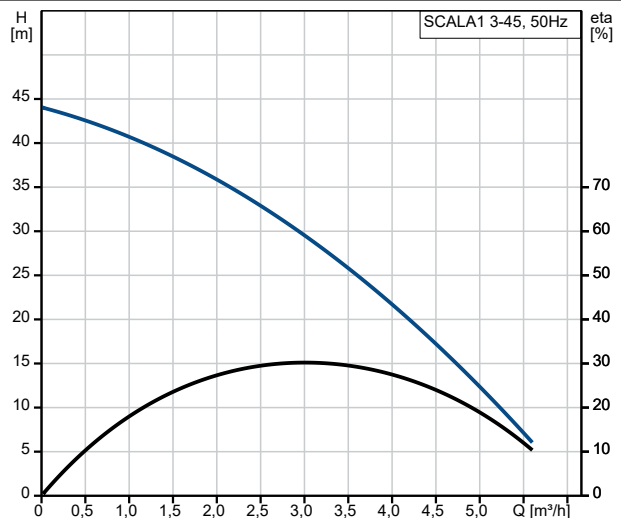
## 99530405 SCALA1 3-45 50 Hz



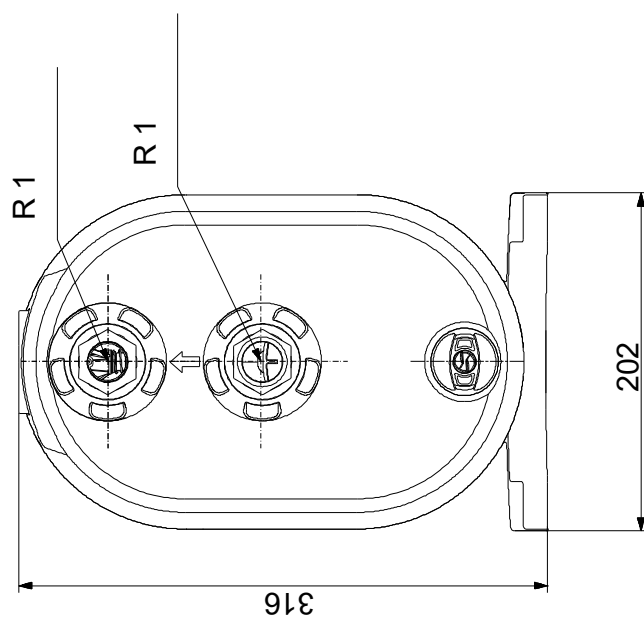
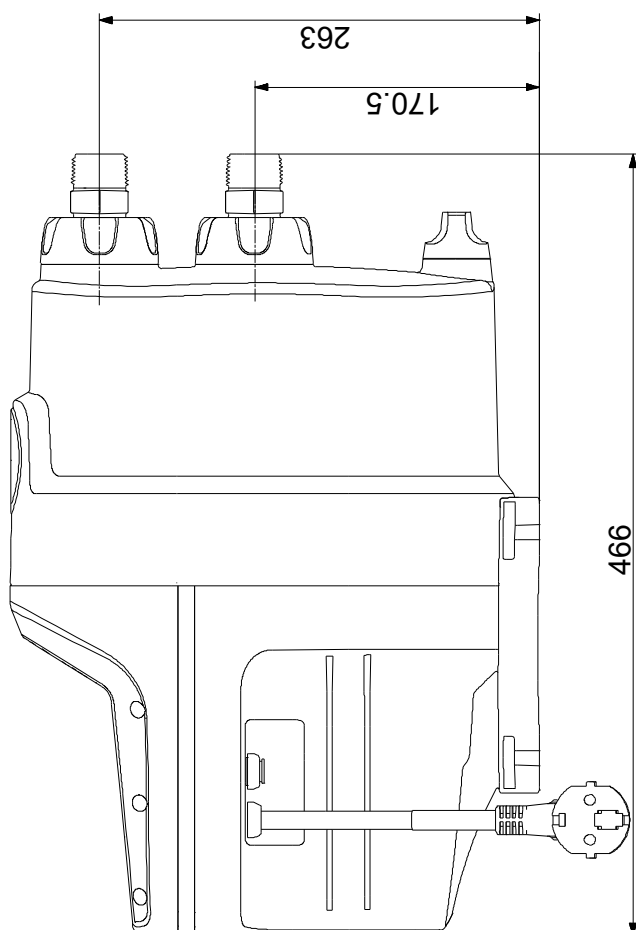
Transporterad vätska = Vatten  
Vätsketemperatur under drift = 20 °C  
Volymetrisk vikt = 998.2 kg/m³



Beskrivning	Värde
<b>Generell information:</b>	
Produktnamn:	SCALA1 3-45
Art. nr:	99530405
EAN nummer:	5713830591598
<b>Tekniskt:</b>	
Nominellt flöde:	3.59 m <sup>3</sup> /h
Nominellt tryck:	25 m
Lyfthöjd max.:	44 m
Kod för axeltätning. 1: Typ 2. Rot. tätningsdel 3: Stat. plats 4: Sek. tätning:	BVBP
Godkännanden:	CE,EAC,AAA
Godkännanden för dricksvatten:	WRAS,ACS
Toleranskurva:	ISO9906:2012 3B
Modell:	A
Starttryck:	2.2 bar
<b>Material:</b>	
Pumphus:	Composite
Pumphjul:	Composite
<b>Installation:</b>	
Område för omgivande temperatur:	0 .. 55 °C
Max. driftstryck:	8 bar
Högsta tillåtna inloppstryck:	3 bar
Typ av inloppsanslutning:	R
Typ av utloppsanslutning:	R
Storlek på sug sida:	1 inch
Storlek på trycksida:	1 inch
Trycksteg för röranslutning:	PN 8
<b>Vätska:</b>	
Pumpad vätska:	Vatten
Vätsketemperatur område:	0 .. 45 °C
Vätsketemperatur under drift:	20 °C
Densitet:	998.2 kg/m <sup>3</sup>
<b>Elektriskdata:</b>	
P1 max.:	900 W
Nominell effekt – P2:	0.58 kW
Nätfrekvens:	50 Hz
Märkspänning:	1 x 230 V
Max. strömförbrukning:	4.1 A
Kapslingsklass (EC 34-5):	X4D
Isolationsklass (IEC 85):	F
Längd strömförsörjningskabel:	1.5 m
Stickkontakt:	Type E/F (CEE7/7)
Strömkontakt:	Schuko plug
<b>Övriga:</b>	
Nettovikt:	12 kg
Bruttovikt:	14 kg
Leveransvolym:	0.046 m <sup>3</sup>
Förvaringstemperatur:	-40 .. 70 °C
Danskt VVS No.:	385183045
Svenskt RSK nr.:	5854000
Finskt:	4732545
Norskt NRF nr.:	9045229
Ursprungsland:	HU
Varukod:	84137075



## 99530405 SCALA1 3-45 50 Hz



OBS! Alla mått anges i (mm) om inte annat anges. Ansvarsfriskrivning: Denna förenklade måttskiss visar inte alla detaljer.