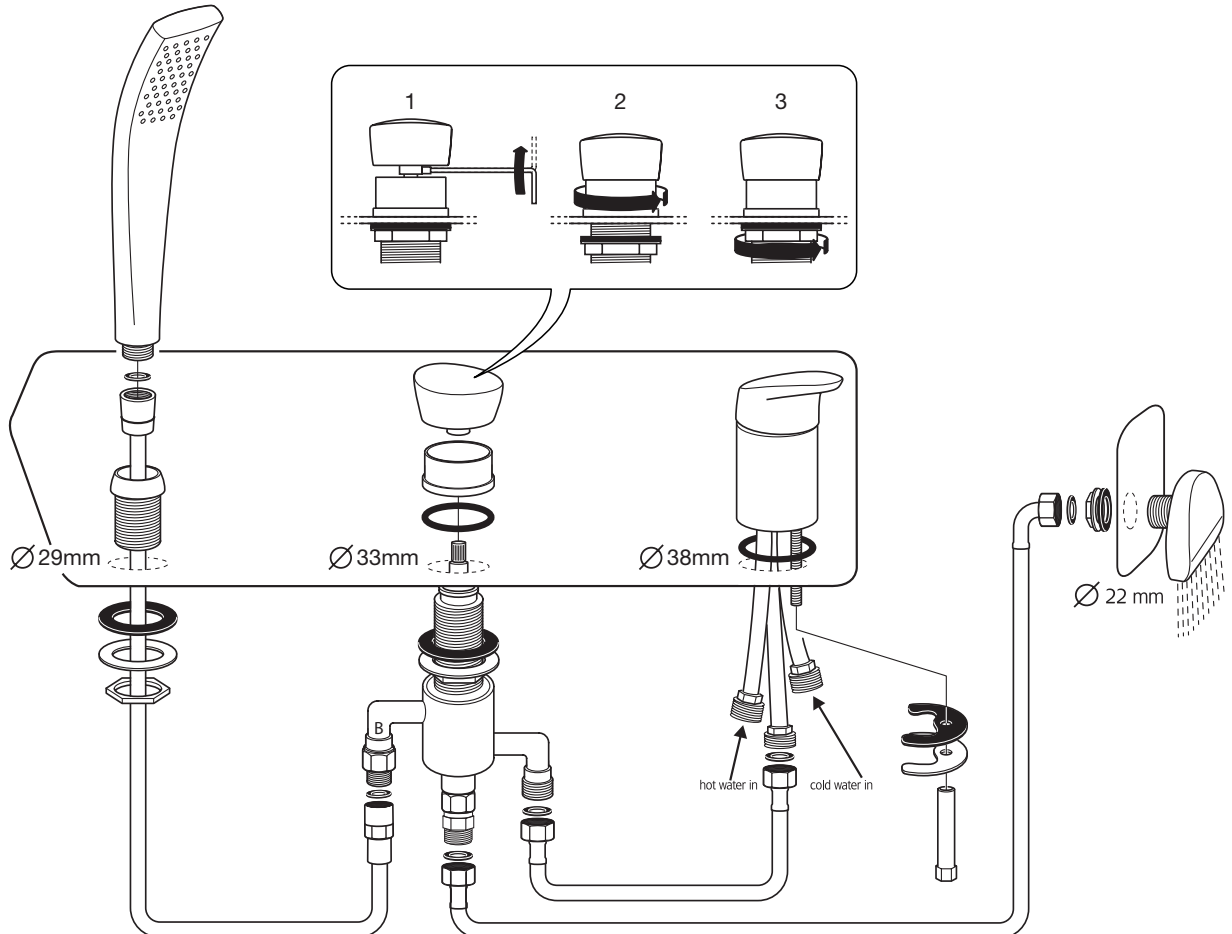


westerbergs

ocean



201144 Art nr. 2008 0797 Westerbergs Badrum part of Hella Bathroom Group AB.