

Antal	Beskrivning
-------	-------------

1	ALPHA1 20-40 N 150
---	--------------------



OBS! Bilden på produkten kan avvika från aktuell produkt

Art.nr.: [99452178](#)

Grundfos ALPHA1 high-efficiency circulator pumps are designed for circulating liquids in heating systems. The stainless-steel variant of ALPHA1 is suitable for e.g. domestic hot-water systems. With an energy efficiency index (EEI) at the ErP benchmark for most efficient pumps, it contributes to energy savings.

The pump can operate in proportional-pressure, constant-pressure and constant-curve mode. The control mode is selected using the button on the display. The LEDs indicate the operating status, actual power consumption in watt as well as warnings and alarms.

The design and chosen materials of the pump contribute to long life.

The pump is self-venting through the system, which contributes to easy commissioning.

The compact design, featuring a pump head with an integrated control box, fits into most common installations.

The pump and motor form an integral unit without a shaft seal.

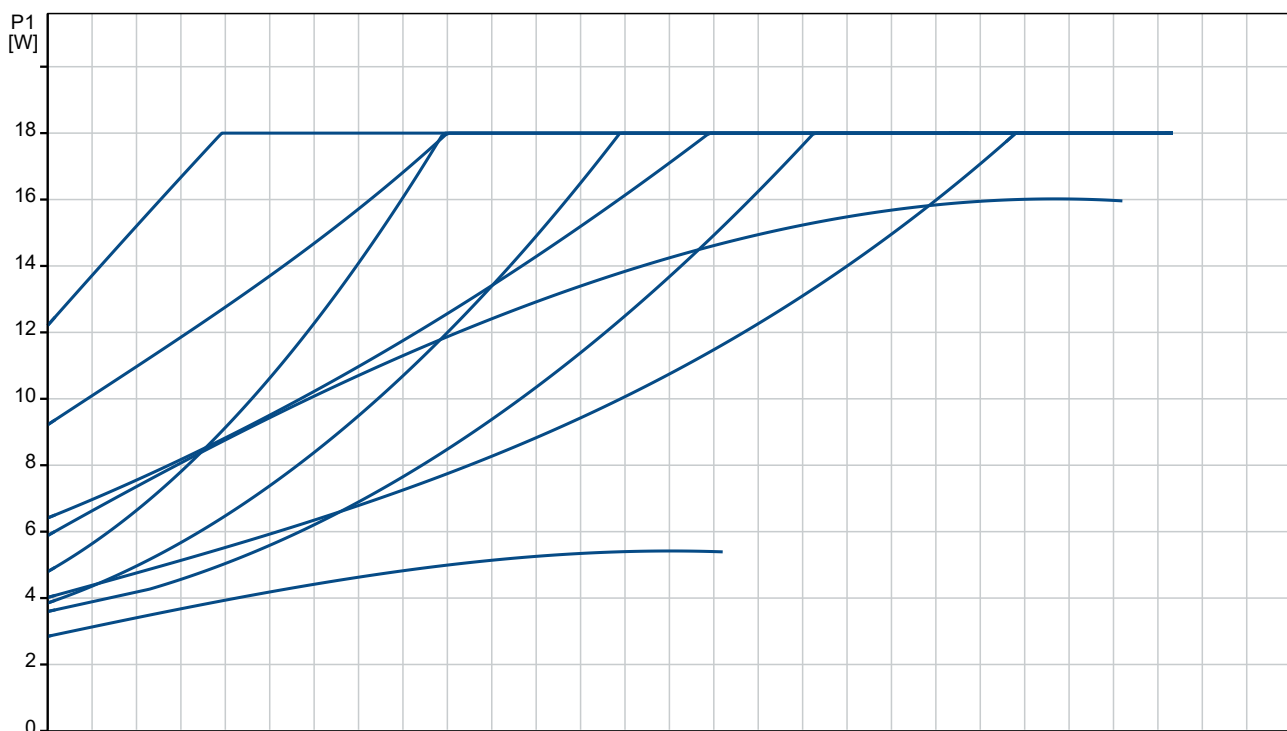
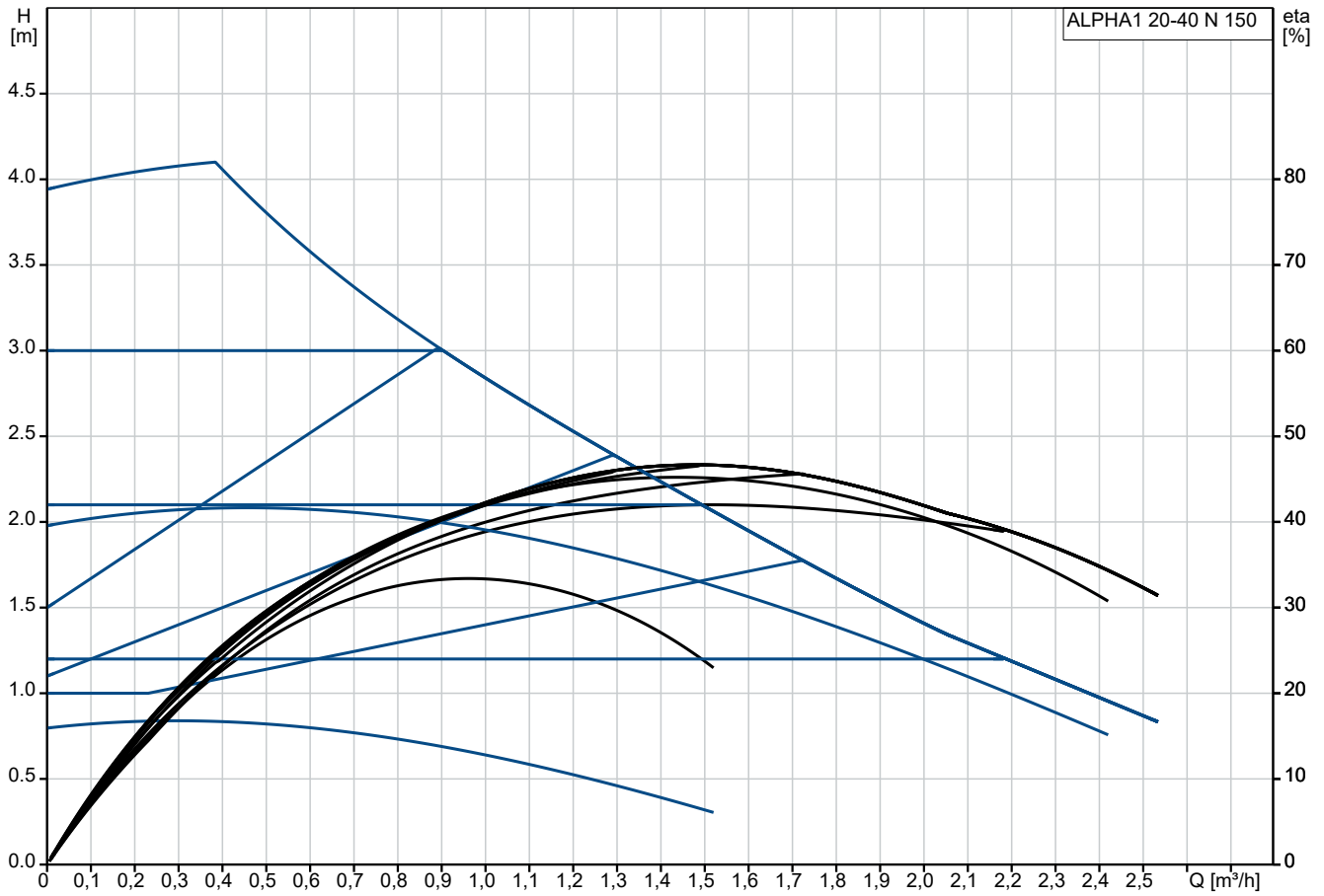
The bearings are lubricated by the pumped liquid.

These constructional features ensure maintenance-free operation.

Pump housings made of cast iron are electrocoated to improve corrosion resistance. The motor is a synchronous permanent-magnet/compact-stator motor characterised by high efficiency. The pump speed is controlled by an integrated frequency converter incorporated in the control box.

Insulating shells are supplied with pumps to minimise heat loss in heating systems.

## 99452178 ALPHA1 20-40 N 150



Beskrivning	Värde
-------------	-------

**Generell information:**

Produktnamn: ALPHA1 20-40 N 150

Art. nr: [99452178](#)

EAN nummer: 5713829348783

**Tekniskt:**

Nominellt flöde: 1.5 m<sup>3</sup>/h

Nominellt tryck: 2.01 m

Lyfthöjd max.: 40 dm

TF klass: 110

Godkännanden: CE, VDE

Modell: B

**Material:**

Pumphus: Rostfritt stål

Pumphus: EN 1.4308

Pumphus: ASTM A351-CF8

Pumphjul: Composite

Pumphjul: PES 30% GF + PESU-GF20%

**Installation:**

Område för omgivande temperatur: 0 .. 40 °C

Max. driftstryck: 10 bar

Anslutningstyp: G

Storlek för anslutning: 1 1/4 inch

Trycksteg för röranslutning: PN 10

Bygglängd: 150 mm

**Vätska:**

Pumpad vätska: Vatten

Vätsketemperatur område: 2 .. 110 °C

Vätsketemperatur under drift: 60 °C

Densitet: 983.2 kg/m<sup>3</sup>

**Elektriskdata:**

Min. upptagen effekt - P1: 3 W

Effektingång P1: 18 W

Nätfrekvens: 50 / 60 Hz

Nominell spänning: 1 x 230 V

Max strömförbrukning: 0.04 .. 0.18 A

Kapslingsklass (EC 34-5): X4D

Isolationsklass (IEC 85): F

Inbyggt motorskydd: Ingen

Termiskt skydd: ELEC

**Styrningar:**

Aut. natt: N

**Övriga:**

Energi (EEI): 0.20

Placering av kopplingsbox: 6H

Nettovikt: 1.99 kg

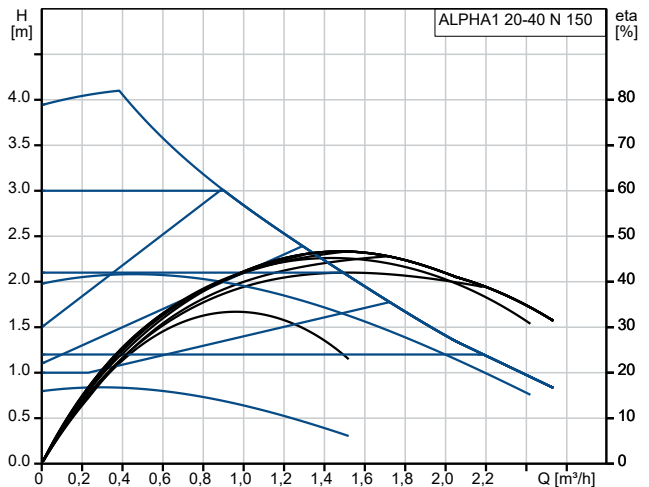
Bruttovikt: 2.13 kg

Leveransvolym: 0.004 m<sup>3</sup>

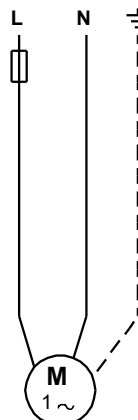
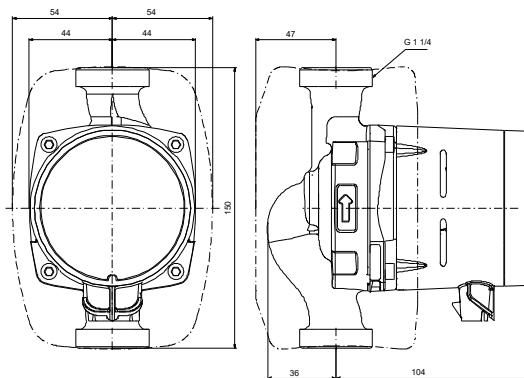
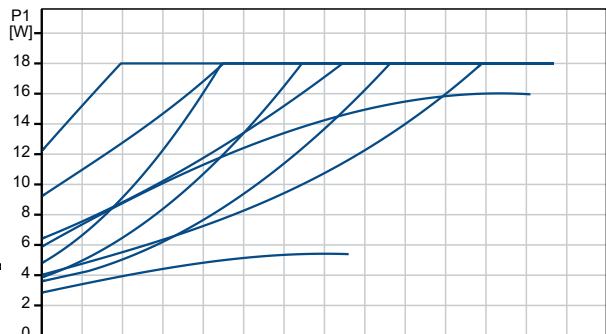
Svenskt RSK nr.: 5790553

Finskt: 4616558

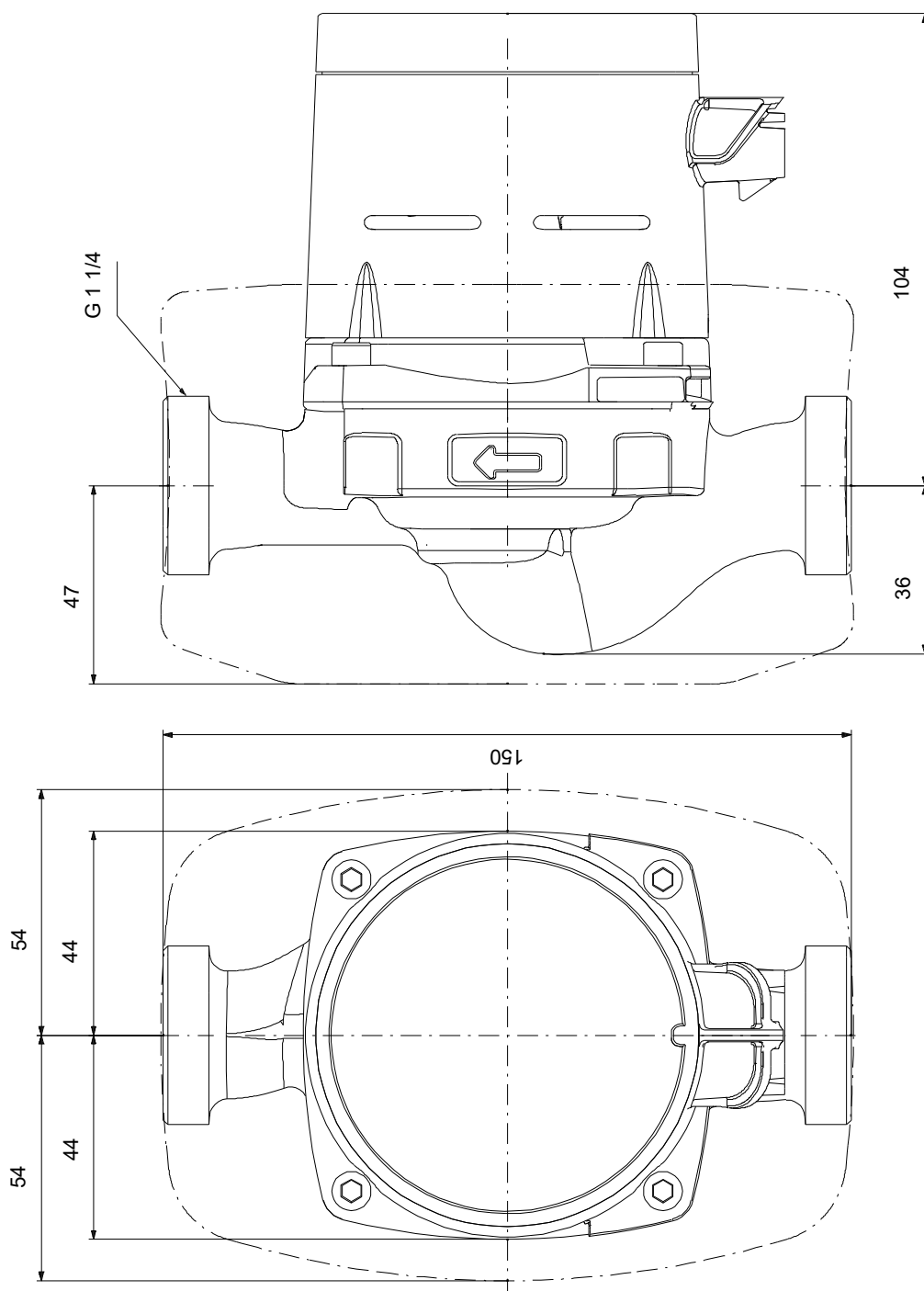
Norskt NRF nr.: 9042022



Transporterad vätska = Vatten  
 Vätsketemperatur under drift = 60 °C  
 Volymetrisk vikt = 983.2 kg/m<sup>3</sup>

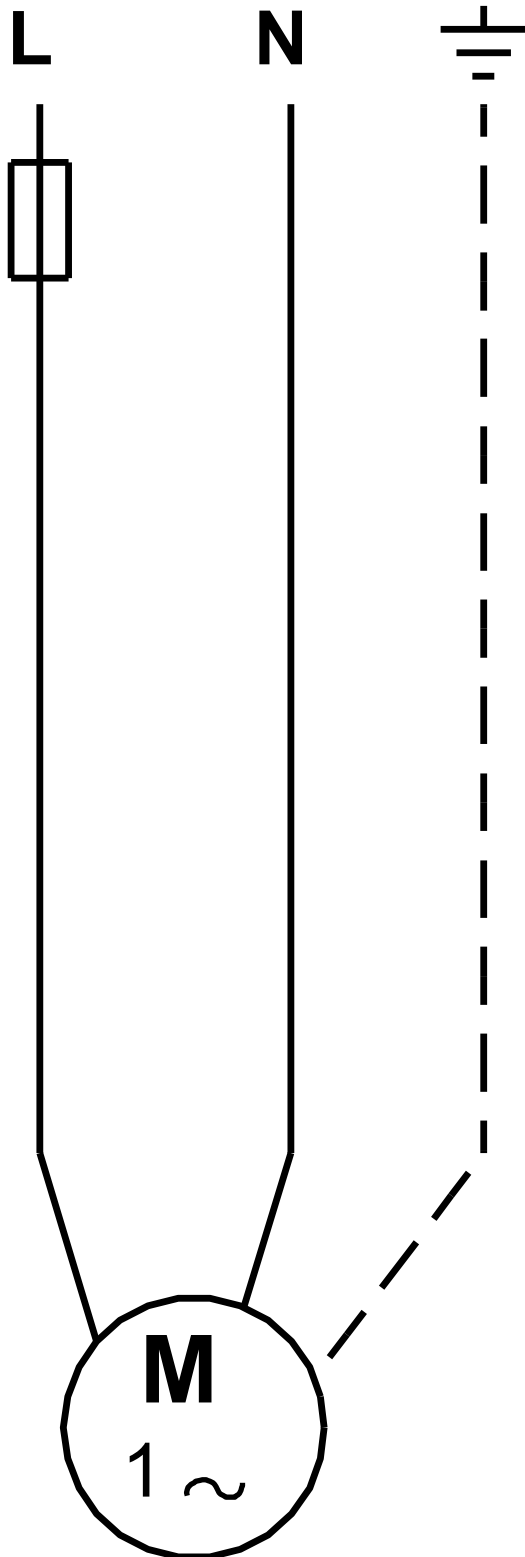


## 99452178 ALPHA1 20-40 N 150



OBS! Alla mått anges i (mm) om inte annat anges. Ansvarsfriskrivning: Denna förenklade måttskiss visar inte alla detaljer.

**99452178 ALPHA1 20-40 N 150**



OBS! Alla enheter anges som [mm] om inget annat visas.