



HIVE HEAT

12kW 12kW-LS



- ENG SAUNA STOVE
- EST SAUNAAHI
- GER SAUNAOFEN



info@huum.eu

www.huum.eu

Declaration of Performance /Leistungsdeklaration

Product type / <i>Produkt</i>	HEAT 12	HUUM OÜ 50106, Estonia 	
Intended / <i>Vorgesehen</i>	Multi-firing sauna stove fired by natural wood logs <i>Mehrfach befeuerbarer Ofen (Scheitholz)</i>		
The product conforms to the following standards / <i>Das Produkt steht zu folgenden Bedingungen</i>	Products are tested in accordance to the methods described in the standard EN 15821:2010 / <i>Die Produkte sind mit Methoden vom Standard EN 15821:2010 getestet worden.</i>		
Notified body (identification number)/ <i>Anmeldung (Identifikationsnummer)</i>	TÜV SÜD Industrie Service GmbH; Ridlestrasse 65, 80339 Munich, Germany (0036)		
Declared performance / <i>Erklärte Leistung</i>			
Essential Characteristic / <i>Grundlegende Eigenschaften</i>	Performance / <i>Leistung</i>	Harmonised technical specification / <i>Harmonisierte technische</i>	
Fire safety (initiation, risk to adjacent) / <i>Brandsicherheit (Brandgefahr der angrenzenden Bauteile)</i>	Pass 1) / <i>Erfüllt 1)</i>	EN 15821:2010	
Safety distances to combustible materials (mm) / <i>Sicherheitsabstände zu brennbaren Materialien (mm)</i>			
	to ceiling / <i>Decke</i>		1200
	to sides / <i>auf Seiten</i>		170
	to front / <i>Vorderseite</i>		500
	to back / <i>Rückseite</i>		170
Emission of combustible products / <i>Emission von unbrennbaren Stoffen</i>	Pass/ <i>Erfüllt</i>		
Surface temperature / <i>Oberflächentemperatur</i>	Pass / <i>Erfüllt</i>		
Release of dangerous substances / <i>Abgabe gefährliche Stoffe</i>	NPD		
Cleanability / <i>Reinigungsmöglichkeit</i>	Pass / <i>Erfüllt</i>		
Flue gas average temperature* / <i>Abgastemperatur*</i>	292°C		
Mechanical resistance / <i>Mechanische Beständigkeit</i>	Pass / <i>Erfüllt</i>		
Thermal output / <i>Thermische Leistung</i>	12kW		
Carbon monoxide emission at 13% O ₂ / <i>CO-Emission 13 % O₂</i>	918 mg/m ³		
Carbon monoxide emission at 13% O ₂ / <i>CO-Emission 13 % O₂</i>	0,074%		
Dust emission at 13% O ₂ (mg/m ³) / <i>Staub 13 % O₂</i>	22 mg/m ³		
Total efficiency / <i>Wirkungsgrad</i>	74%		
Flue draught* / <i>Förderdruck*</i>	12Pa		
Ignition load and refuelling loads / <i>Zündlast und Brennstoffaufgabemenge</i>	3,6kg x3 (max 30cm)		
Ash box gap after ignition phase / <i>Der Spalt der Aschebox nach Zündung</i>	closed / <i>zu</i>		
Durability / <i>Dauerhaftigkeit</i>	Pass / <i>Erfüllt</i>		
Flue gas mass flow* / <i>Rauchgasmassenstrom*</i>	13,3g/s		
*Stove door closed / <i>Tür geschlossen</i> NPD=no performance determined / <i>NPD- keine Leistung</i> 1) installation of the stove only on non combustible floor or base 1) <i>die Installation des Ofens nur auf dem nichtbrennbaren Boden</i>			
Tartu, Estonia, 01.10.2019		Siim Nellis CEO siim@huum.eu 37256229736	
			

HIVE HEAT

SAUNA STOVE

Installation and user instructions

Important! These instructions provide simultaneously the installation instructions for models 12kW and 12kW-LS. Follow the instructions for your model carefully.

Important! The sauna stove described in these instructions should only be connected to the chimney by a specialist.

The Hive Heat sauna stove delivery package includes:

- a sauna stove
- installation and user instructions for the sauna stove

Important! The sauna stove requires sauna stones.

Congratulations, you've made an excellent choice!

The HUUM sauna stove is the best of its kind and will serve you for a very long time with the correct use and maintenance.

- Read the instructions carefully before installation and use.
- Keep these instructions for future reference.

Important! Read the instructions carefully before using the sauna heater!

GENERAL

The Hive Heat sauna stove is intended for dry or wet sauna steam.

Our product range includes various modifications for the Hive Heat sauna stoves. Consumers can choose between stoves with different nominal power. The stove can be equipped with a hot water production accessory and a wall furnace aperture, which is marked with letters **LS** in these instructions.

- Weight of the sauna stove 57 kg;
- Minimal diameter of ventilation openings 78.5 cm;
- Size of the steam room 6 m³ – 13 m³;
- Minimal diameter of the chimney flue 102 cm;

INSTALLATION

- Installation of the sauna stove must conform to all local normative documents, including the applicable national and European Union standards relating to the installation, including EN 15821:2010.
- Safety distances **A**, **B** and 1200 mm above the stove are given for combustible materials.
- If the stove is installed in a niche composed of non-combustible material (stone, concrete), at least 100 mm should be left between the wall and the stove for air movement.
- The safety distance for combustible materials can be reduced to 1/2 in the case of a single and 1/4 in the case of a double heat barrier. The heat barrier is considered within the safety distance, and the difference between the outer surface and the protected

- area must be at least 30mm.
- The sauna stove must be installed on a non-combustible surface with the required carrying capacity.
- Electrical equipment and wiring are not permitted in the safety area of the sauna stove.

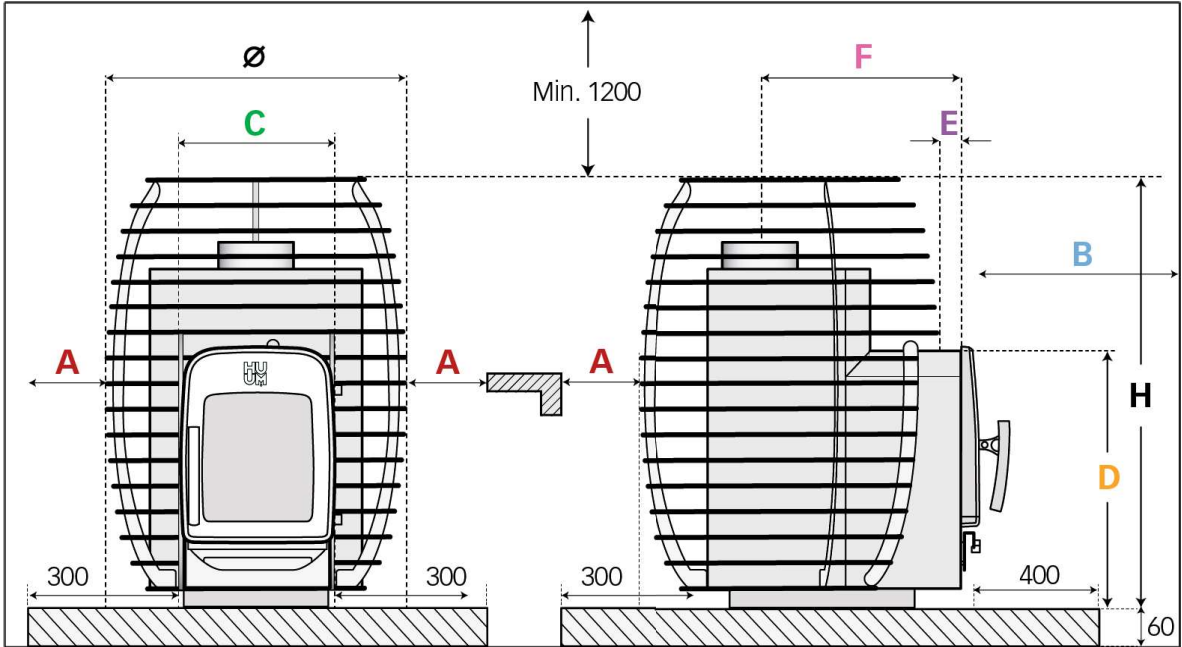


Table 1	Power kW	Room m ³	A mm	B mm	C mm	D mm	E mm	F mm	Ø mm	H mm
HIVE Heat 12 /LS	12	6-13	250	900	240	425	5/155	300/450	450	750

Installing Hive Heat 12 LS to be heated from another room

- The furnace bushing of the sauna stove must be made through a non-combustible wall (stone, concrete, etc.).
- The furnace bushing of the sauna stove must be made through a non-combustible wall (stone, concrete, etc.) that extends 600 mm to the sides of and 1,400 mm above the opening.
- It is advisable to leave a 50 mm air gap between the bushing and the stove; therefore, add 100 mm to height D and width C given in table 1 when calculating the dimensions for the opening.
- If the floor in front of the furnace is made from combustible material, fire-resistant floor protection must be installed in front of the furnace door. The protection must be 600 mm wider than door width C, with a depth of at least 400 mm.

Connecting the sauna stove with the chimney

- The flue gas outlet of HUUM sauna stoves is at the top of the sauna stove. The sauna stove is connected to the chimney using special metal flue pipes, which are optionally sealed with heat-resistant sealing rope.
- The elbows of the connection tubes must be smooth to keep draught loss to a minimum.
- The tube is inserted through the wall of the chimney and sealed with mineral wool.
- The sauna stove can only be connected to the chimney by specialists.
- The flue gases of the stove must be directed into a separate flue. Use of a common flue with other furnaces is not permitted.

Important! *Forced extract ventilation may cause problems with the ventilation of the room and inadequate furnace combustion, therefore, designing and building such a ventilation system is permitted only with the supervision of a licensed specialist.*

APPLICATION INSTRUCTION

Preparation for use

- Any natural granite stones or special sauna stove stones sold at hardware stores are suitable for the sauna stove. Use of ceramic stones may shorten the life of the stove.
- Sauna stove stone quantities:
 - Hive Heat 12: 6 x 15kg.

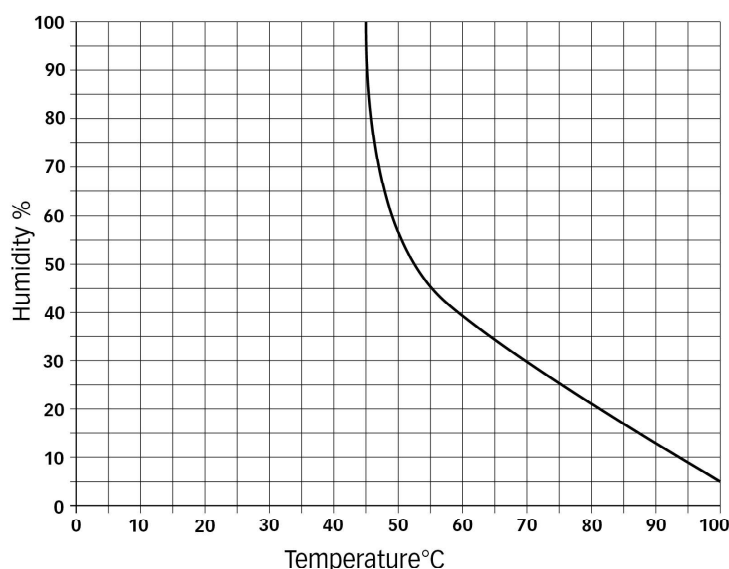
Important! *The sauna stove can only be heated with wood logs.*

Heating the sauna

- Avoid overheating the sauna stove; overheating is indicated when the furnace case glows red. Overheating causes the metal to

- deform, and the manufacturer is not responsible for this defect.
- In the case of overheating, the ash tray must be completely closed to stop the furnace combustion process. Keep the furnace door closed. If possible, cut off air flow to the room.
 - It is recommended each time you heat the sauna stove that some quantity of the fuel consists of small and easily flammable pieces of material which are more porous and lighter compared to the rest of the fuel quantity.
 - The sauna stove can only be heated with wood logs. For Hive Heat 12, 30 cm logs are best suited.
 - If necessary, the supply of combustion air can be adjusted by controlling the draught of the air vents in the front side of the heater by changing the position of the shutter. It is recommended to keep the ash tray open by up to 2 mm for ignition. During heating, it is recommended to keep the air vents fully open at the top of the front side of the heater.
 - Keep the furnace door closed during heating. Open the door only to add firewood.
 - Avoid splashing water onto the hot glass of sauna stoves with a glass door. Tempered door glass is not under warranty.
 - The heating time of the steam room is dependent on the thermal resistance of the wall materials, room size and power of the sauna stove.
 - The outer surfaces of the sauna stove are hot during heating. Contact with exposed body parts can cause burns.
 - Do not splash salt water onto the sauna stove.
 - It is not advisable to throw hard water or water with a high iron content onto the sauna stove.

NB! Do not exceed the humidity indicated on the chart when steaming.



Maintenance

- For safe operation of the furnace, it is advisable to keep cleaning accessories (shovel, broom, rake) in the lower temperature (below 40°C) part of the steam room.
- Empty the sauna stove's ash tray before each heating since this is used to adjust the draught.
- If the sauna has not been used for a long time, have a specialist check the furnace, grate and ash tray condition before heating the sauna stove. If necessary, arrange for the condition of the chimney and the flue to be checked as well. Also, if necessary, allow the specialist to undertake further cleaning.
- Large temperature fluctuations may, over time, cause the sauna stove stones to crumble and lose their required properties. It is therefore advisable to replace crumbled sauna stones with new ones once a year.
- At least once a year, it is necessary to clean the chimney and flues.
- Cleaning of the sauna stove must comply with all local normative documents which provide fire safety regulations for the cleaning of furnaces (RTL 1998, 195/196, 771 and RTL 2000, 99, 1555)

GUARANTEE

The manufacturer gives its stoves a 24-month warranty starting from the date on the purchase receipt.

The warranty applies to malfunctions caused by manufacturing faults. This warranty does not cover the combined effect of high temperature and water on the sauna stove:

- deformation of metal;
- surface coating;
- door glass.

All demands shall be presented directly to HUUM OÜ
address: Turu põik 4, Tartu 50106, ESTONIA
or using e-mail: info@huum.eu