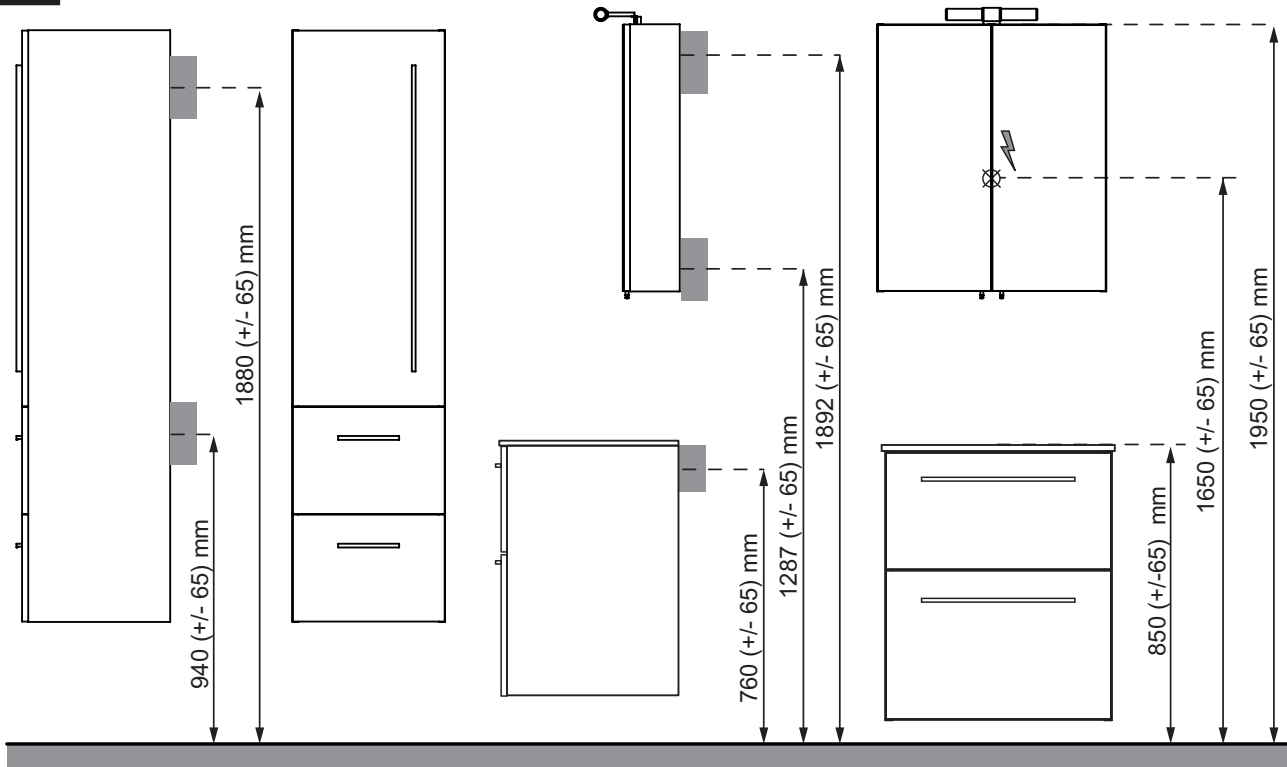
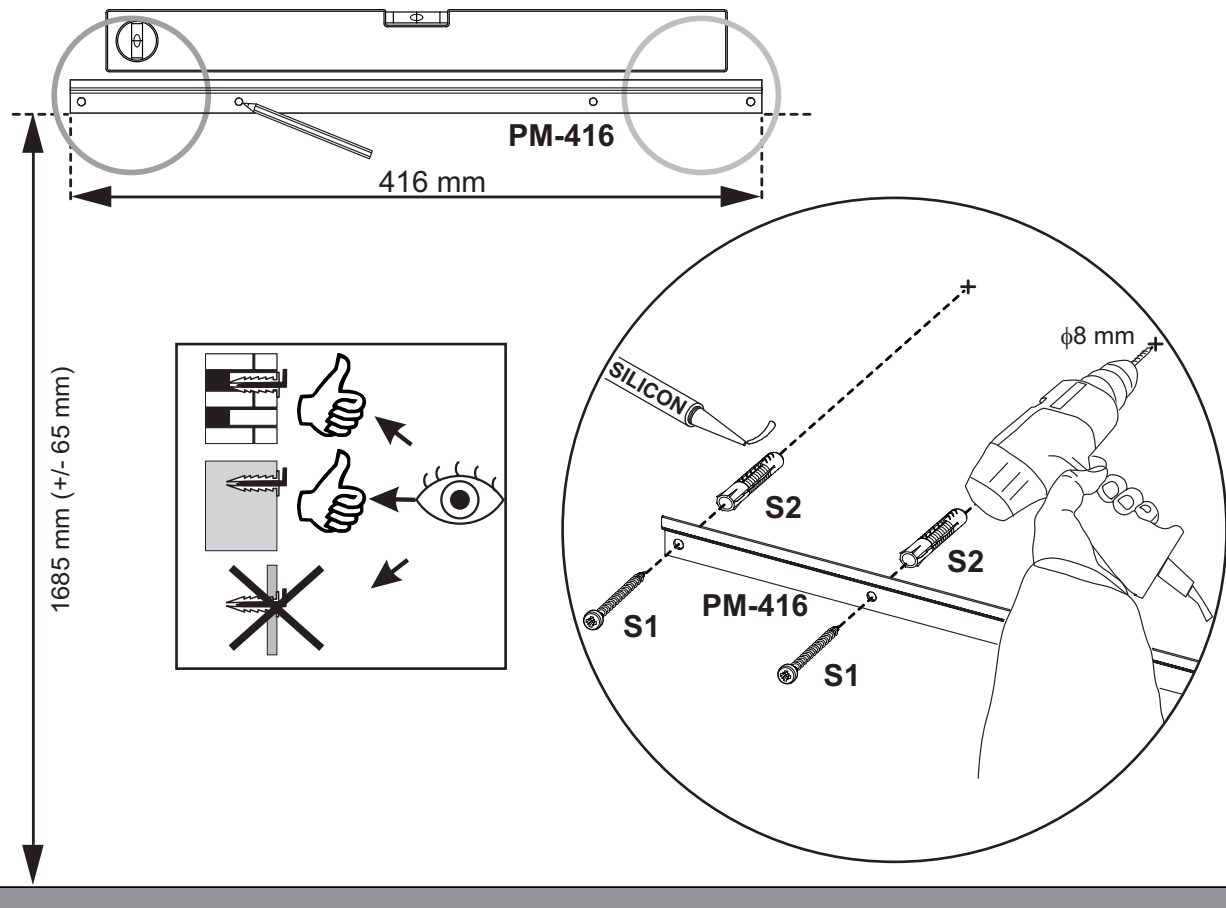


PM-416 L=562mm x 1					
P2 $\phi 18$ x 2	G71 x 1	G72 x 1	P0 $\phi 5$ x 20	S1 ST6x60 x 4	S2 UX8 x 4

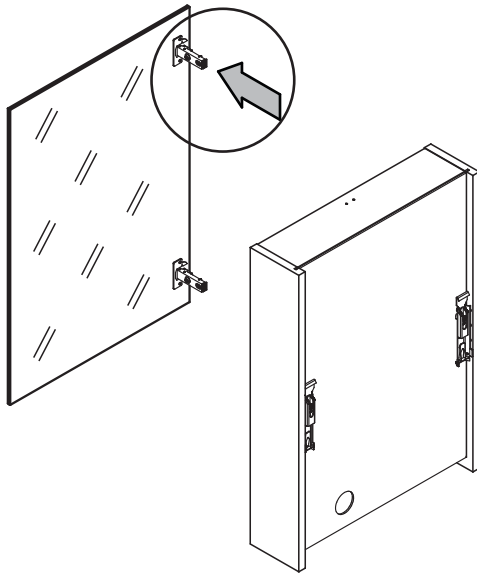
01.



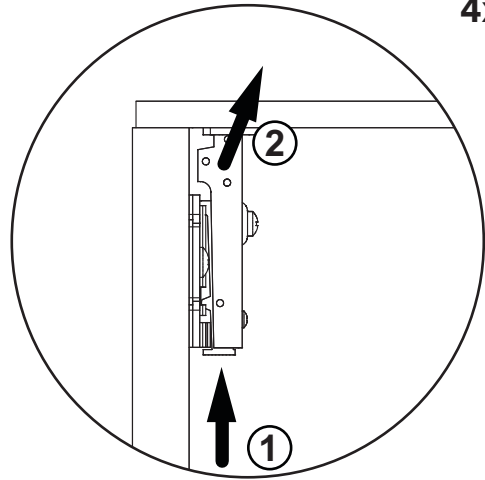
02.



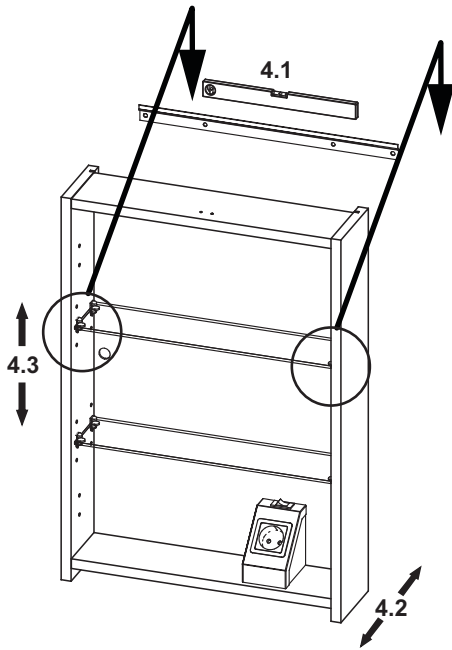
03.



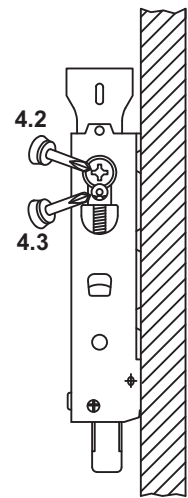
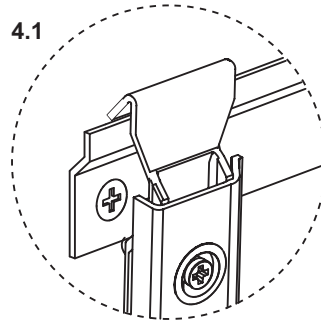
4x



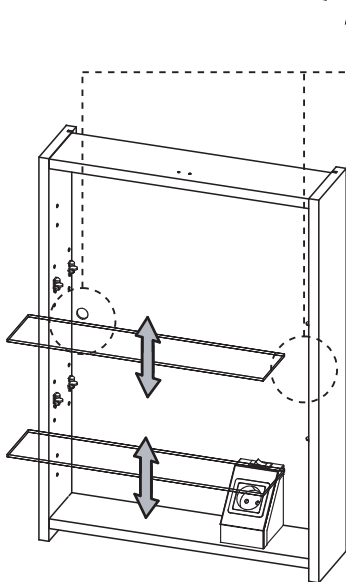
04.



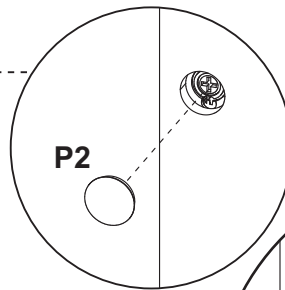
4.1



05.

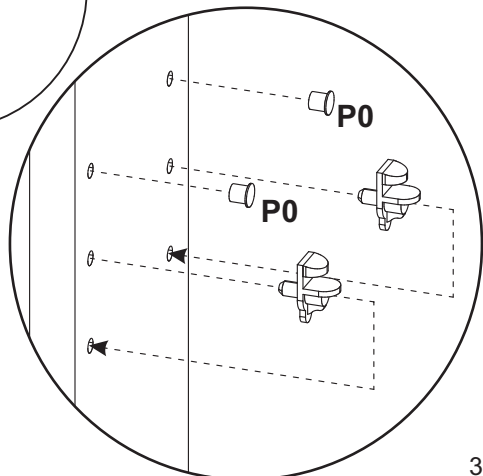


P2

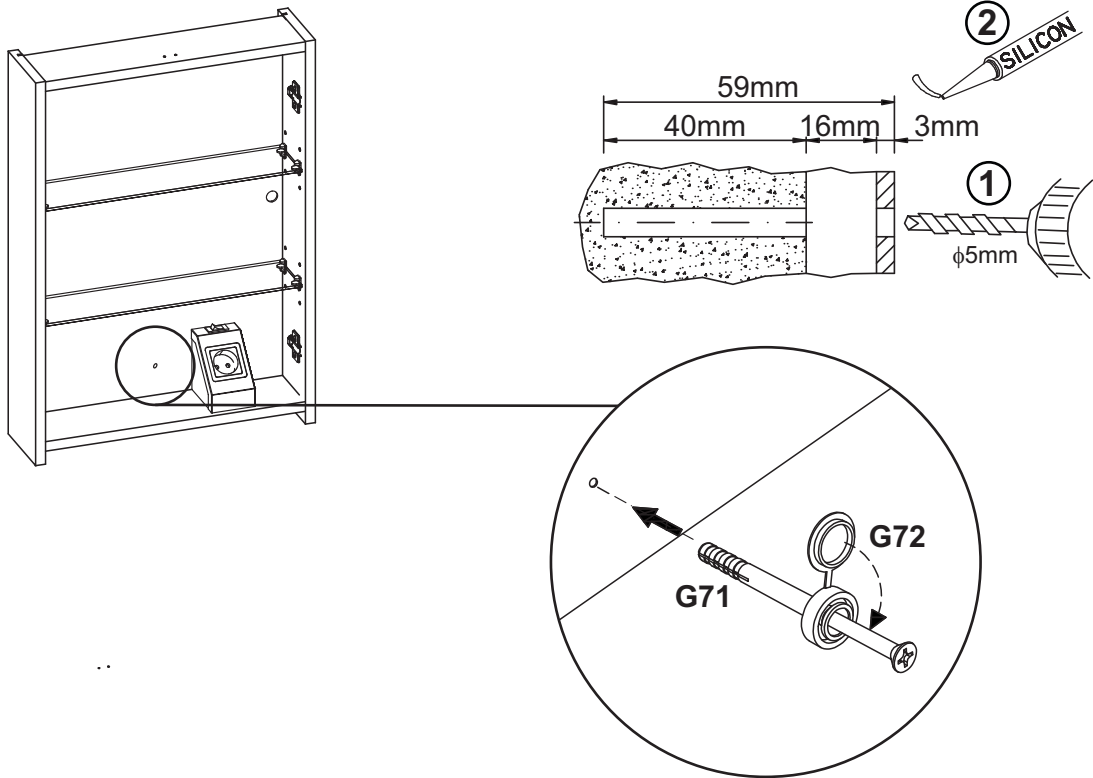


P0

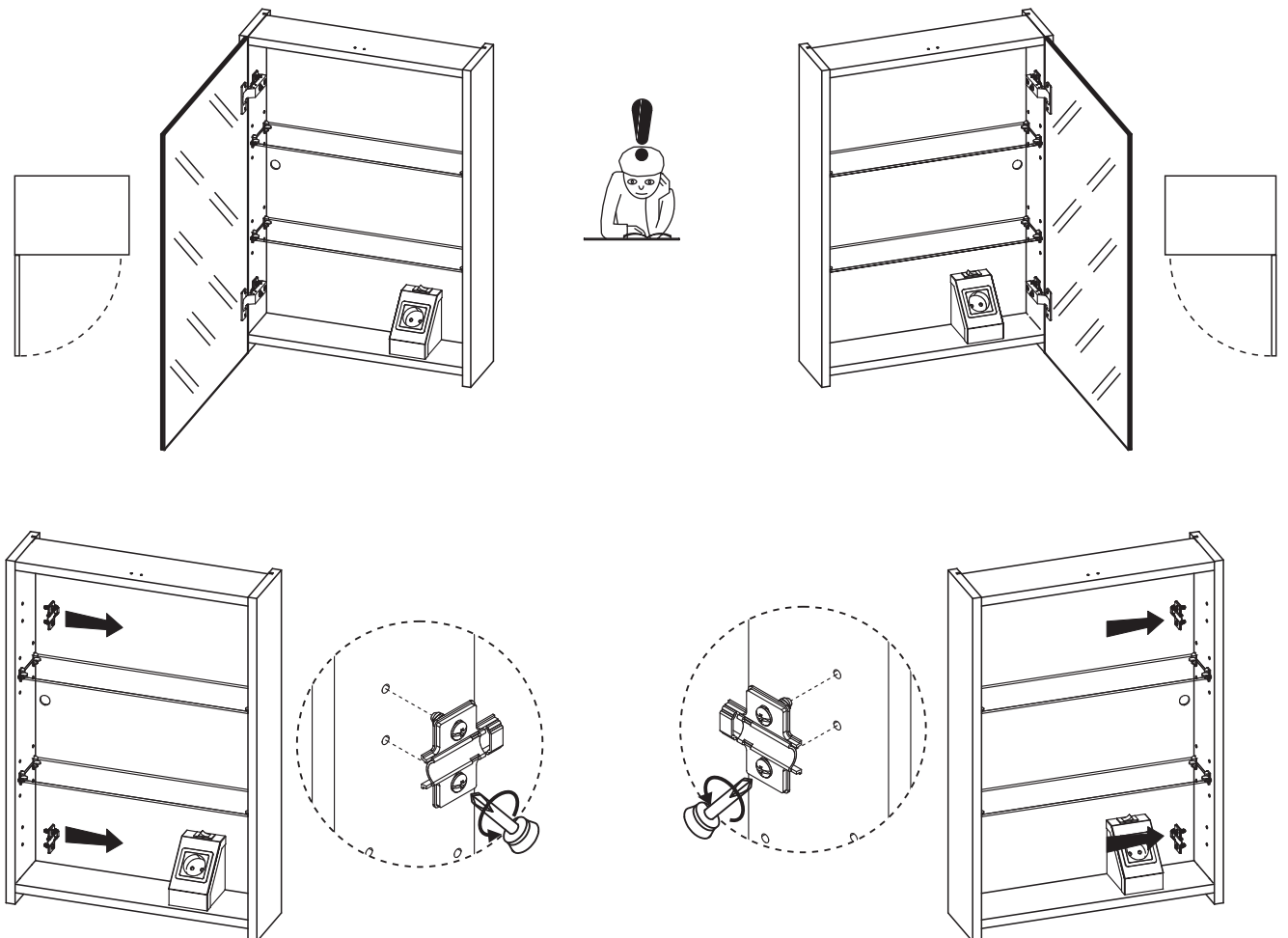
P0



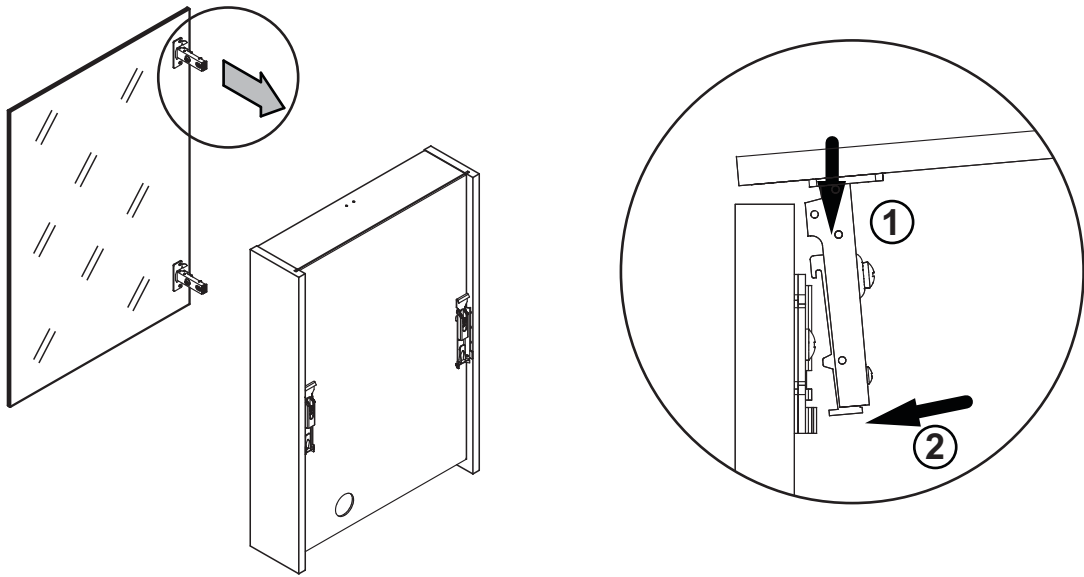
06.



07.



08.



09.

