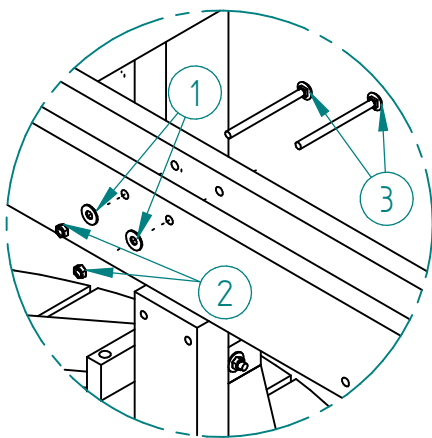


1 A



2 B

A x1

B x4

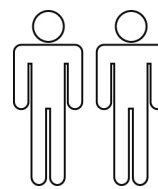
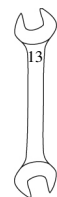
C x2



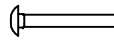
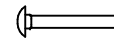

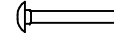

D x2

E x4

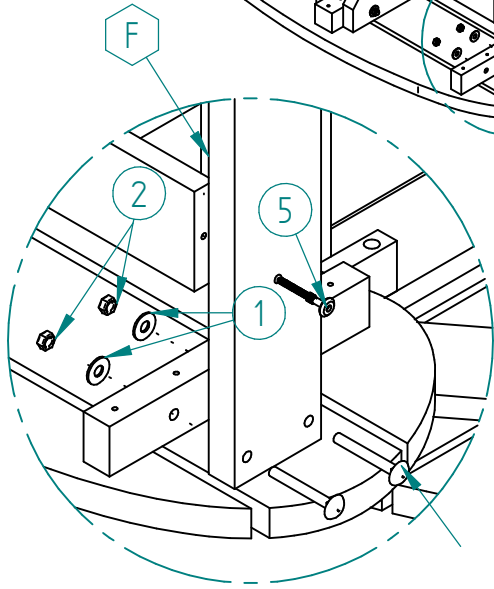
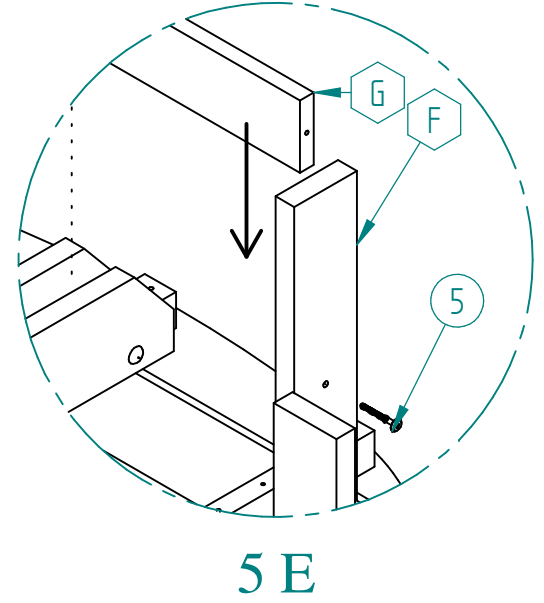
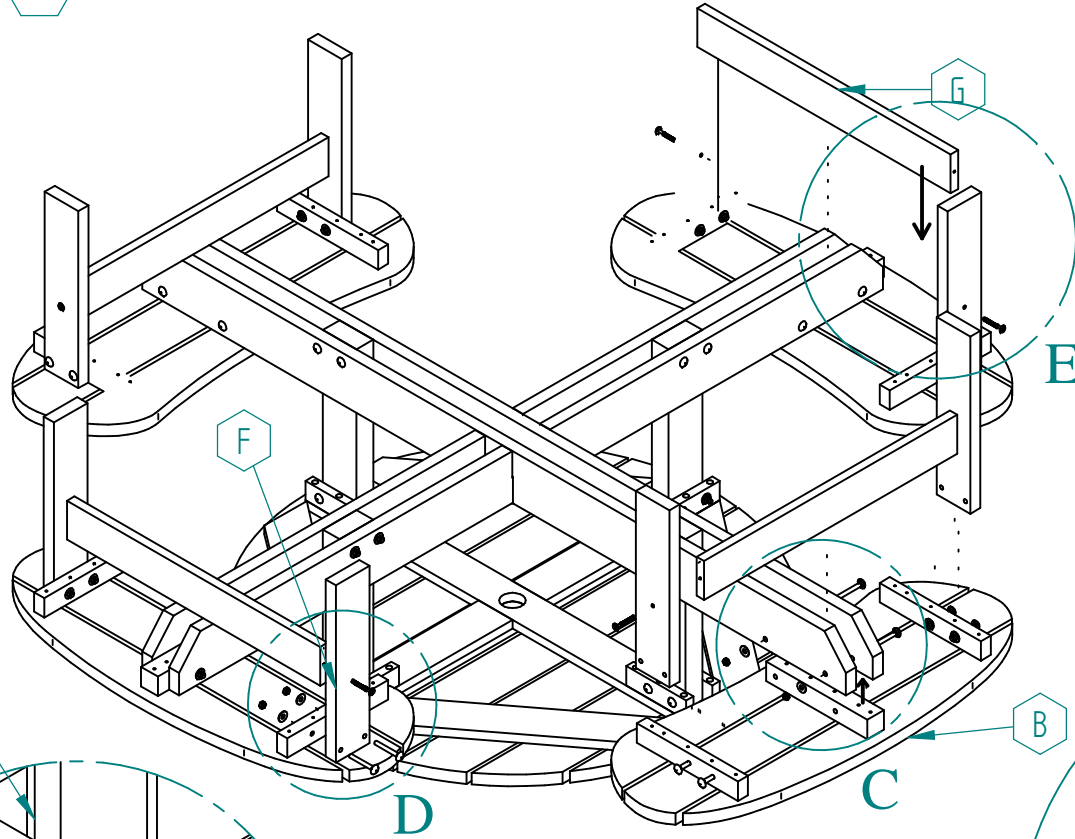
F x8

G x4

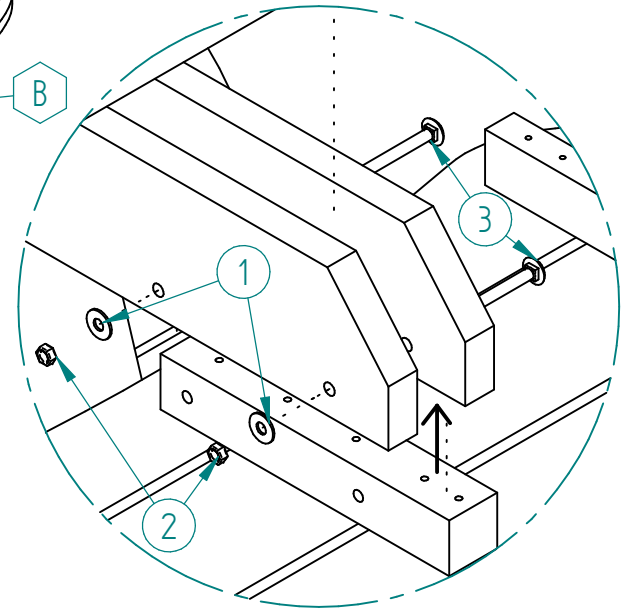


1		9x22	40
2		M 8	40
3		8x110	16
4		8x65	16
5		6.3x70	8
6		8x100	8
7			1

II



4 D



3 C