

**FM Mattsson Group**

Box 480, SE-792 27 Mora

Tel. +46 (0)250 59 60 00

[www.moraarmatur.com](http://www.moraarmatur.com)

Monteringsanvisning/  
Installation instruction

MA: 101 06 36 – Rev. 001

2024.05.10

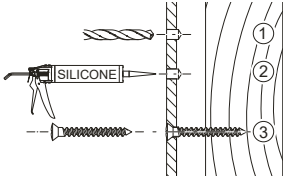
# mora

## MORA MMIX II DUSCHSET SHOWER SET

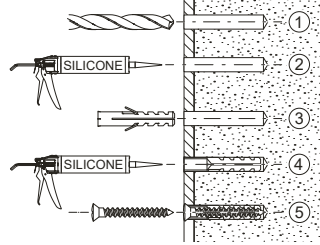


**Accepterad**  
monteringsanvisning  
2021:1

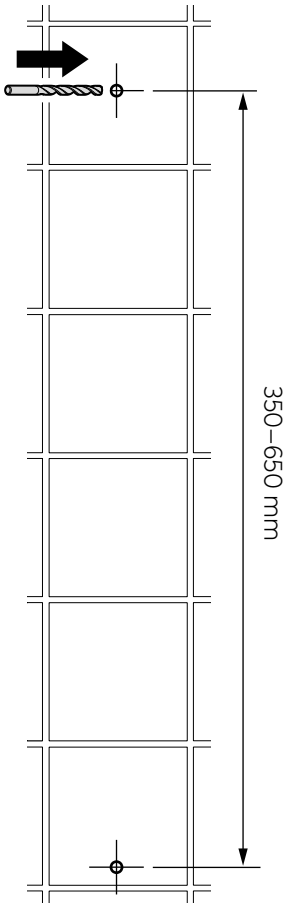
① A ——— Trä / Wood



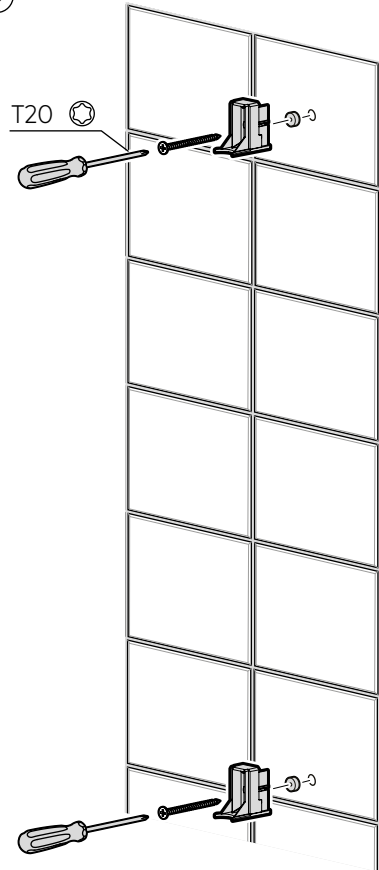
① B ——— Betong / Concrete

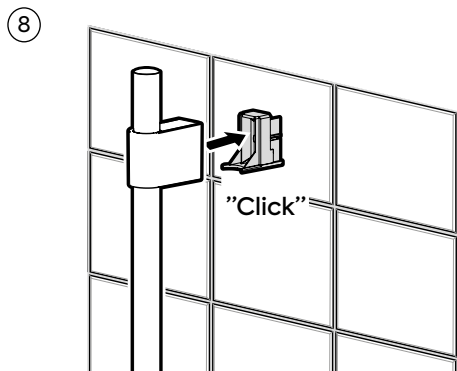
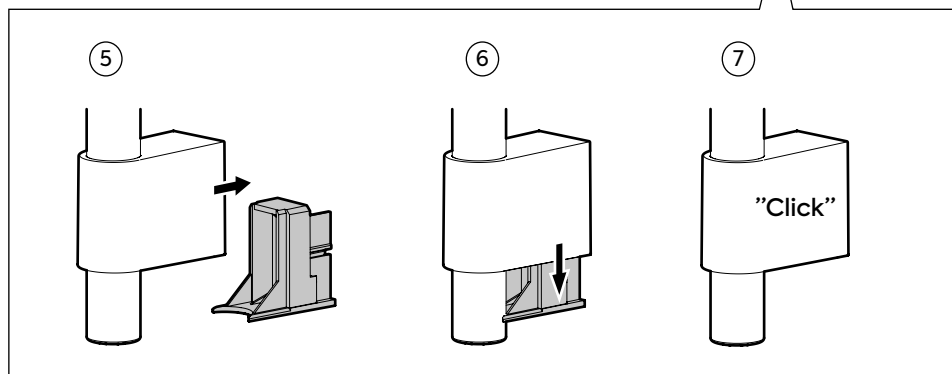
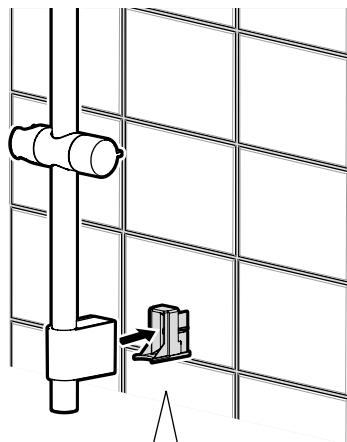
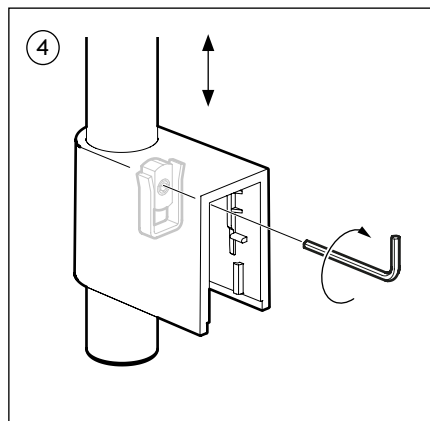


②



③





SV Rengöring  
EN Cleaning

