

MONTERINGSANVISNING

ASSEMBLY INSTRUCTIONS

PADANG MATBORD

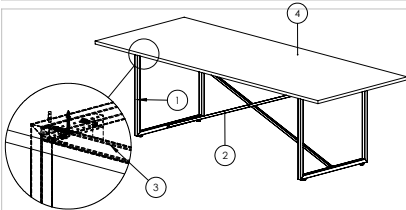
Art. Nr 18008-680



Assembly instructions | Monteringsanvisning



ASSEMBLING INSTRUCTION

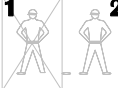


Type : **PADANG DINING TABLE**
Art.No : **18009-680**

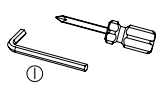
TIME



LABOUR



TOOLS



PADANG DINING TABLE

No.	Description	Qty
1	88888-154 SP PADANG DINING TABLE - LEGS	2
2	FRAME BRACING-ASSY	2
3	PALANGAN ASSY	2
4	TOP TABLE	1

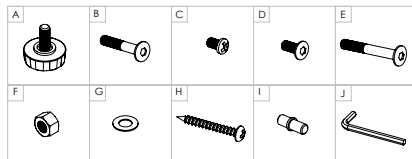
PADANG DINING TABLE

No.	Description	Qty
B	JCBC M6 x 35 mm	8
C	BOLT JP M6 x 10 mm	4
D	JCBC M6 x 15 mm	4
E	JCBC M6 x 50 mm	1
F	HEX NUT M6	1
G	WASHER M6	8
H	SCREW Ø10 x 1 1/2" PAB	14
I	PEN DUFLU Ø5	5
J	M4 ALLEN KEY	1

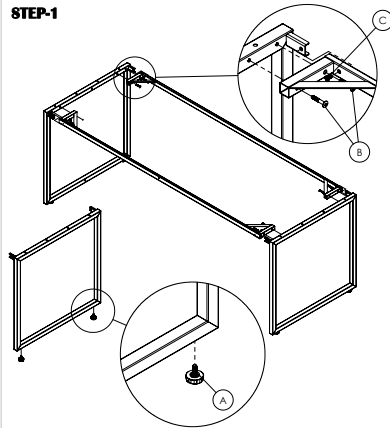
PADANG DINING TABLE

No.	Description	Qty
A	FOOT ADJUSTER	4

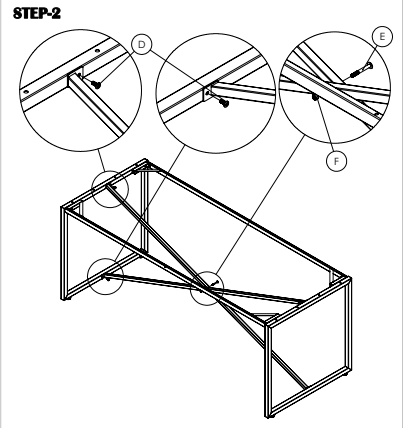
ILLUSTRATION



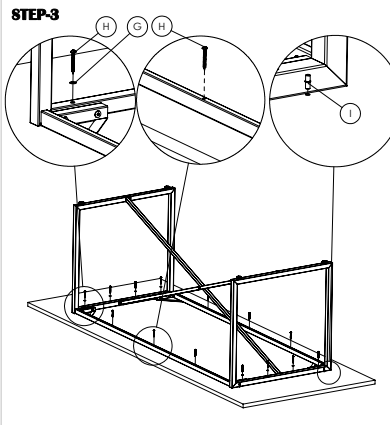
STEP-1



STEP-2



STEP-3



STEP-4



FULL ASSEMBLY

SHEET 1 OF 1

2020

VENTURE DESIGN
HOME & INTERIOR