

HIJO DE MIGUEL
PANADERO
Mod.

CANADA Eco

WOOD BURNING STOVE

POÊLE A BOIS

ESTUFA DE LEÑA

HOUTKACHEL

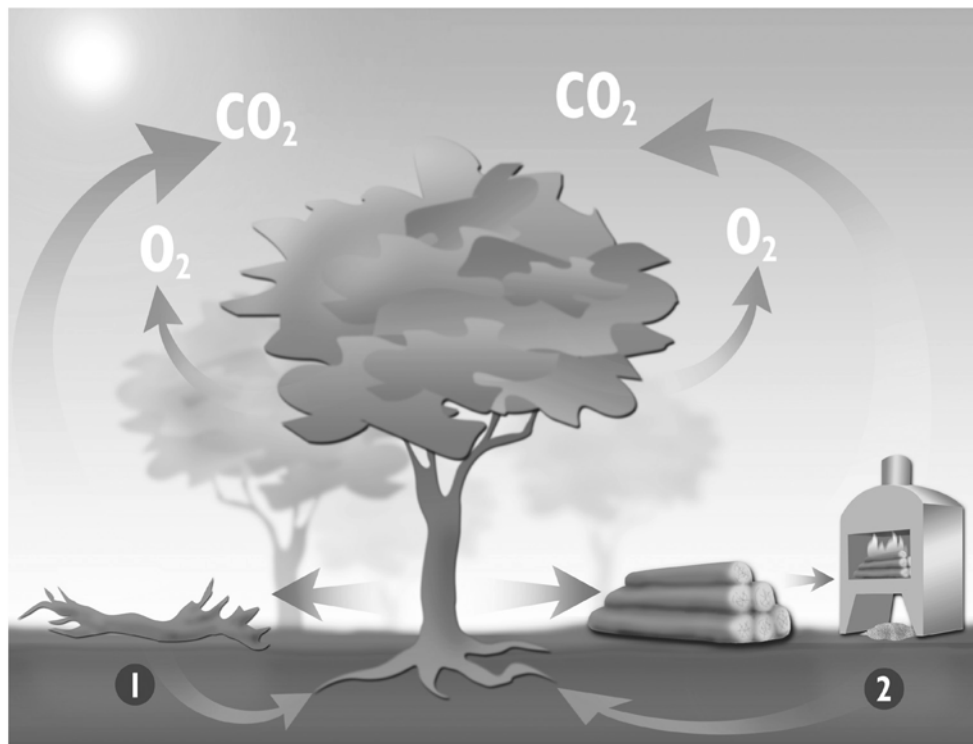
SALAMANDRA DE LENHA

STUFA A LEGNA

PIECYK KOMINKOWY



USAGE AND MAINTENANCE INSTRUCTIONS.....	p. 4
INSTRUCTIONS D'UTILISATION ET D'ENTRETIEN.....	p. 9
INSTRUCCIONES DE UTILIZACIÓN Y DE MANTENIMIENTO.....	p. 14
GEBRUIKS- EN ONDERHOUDSAANWIJZINGEN.....	p. 19
INSTRUÇÕES DE UTILIZAÇÃO E MANUTENÇÃO.....	p. 24
ISTRUZIONI D'USO E MANUTENZIONE.....	p. 29
INSTRUKCJA UŻYTKOWANIA I KONSERWACJI.....	p. 34



- 1** Nutrients / Éléments nutritifs / Nutrientes / Brandstoffen / Nutrientes / Elementi nutritivi / Heizmaterial / Opak
2 Cenizas – Abono / Cendres – Engrais / Ashes – Fertilizer / Ceneri – Fertilizzante / As / Cinzas – Fertilizante / Asche / Popiół

Wood: an ecological fuel

Wood is a renewable source of energy which answers the energy and environmental demands of the 21st century.

Throughout its long life, a tree grows from sunlight, water, mineral salts and CO₂. Following the general pattern of nature, it soaks up energy from the sun and supplies us with the oxygen essential for animal life.

The quantity of CO₂ given off during the combustion of wood is no greater than that given off by its natural decomposition. This means we have a source of energy that respects the natural cycle of millions of years. Burning wood does not increase the CO₂ in the atmosphere, making it an ecological source of energy which plays no part in the greenhouse effect.

In our wood-burning stoves logs are burnt cleanly without leaving any residue. Wood ash is a high quality fertilizer, rich in mineral salts.

In buying a wood-burning stove, you will help the environment, your heating will be very economical and you will be able to enjoy watching the flames, something no other form of heating can offer.

Le bois: une énergie écologique

Le bois est une énergie renouvelable qui répond aux défis énergétiques et environnementaux du 21^{ème} siècle.

Tout au long de sa vie, un arbre pousse grâce à la lumière du soleil, l'eau, les sels minéraux et le CO₂. Il accumule de manière naturelle l'énergie solaire et nous offre l'oxygène indispensable à la vie.

La quantité de CO₂ qui se dégage pendant la combustion du bois n'est pas supérieure à celle qui serait émise lors de sa décomposition naturelle. Nous sommes donc devant un type d'énergie qui respecte le cycle naturel de millions d'années. La combustion du bois n'augmente pas le CO₂ dans l'environnement, c'est une énergie écologique qui ne participe pas à l'effet de serre.

Avec nos poêles, le bois se brûle proprement et ne laisse aucun résidu. La cendre du bois représente un engrais de haute qualité, riche en sels minéraux.

En achetant un poêle à bois, vous aidez l'environnement, vous aurez un chauffage économique et vous pourrez apprécier ce spectacle des flammes qu'aucun autre type de chauffage peut offrir.

retos energéticos y medioambientales del siglo XXI.

A lo largo de su vida, un árbol crece gracias a la luz solar, el agua, las sales minerales y el CO₂. Acumula de forma natural la energía del sol y nos da el oxígeno indispensable para la vida.

La cantidad de CO₂ que se desprende durante la combustión de la leña no es superior a la que se emitiría por su descomposición natural. Por lo tanto estamos ante un tipo de energía que respeta el ciclo natural de millones de años. La combustión de la leña no aumenta el CO₂ en el medioambiente, por lo que es una energía ecológica que no participa del efecto invernadero.

En nuestras estufas, la leña se quema limpiamente y no deja residuos. La ceniza de leña es una abono de alta calidad, rico en sales minerales. Al comprar una estufa de leña, usted está ayudando al medioambiente, tendrá una calefacción económica, y disfrutará de ese espectáculo de las llamas que ningún otro tipo de calefacción puede ofrecer.

A lenha: uma energia ecológica

A lenha é uma energia renovável que responde às exigências energéticas e de meio-ambiente do século XXI.

Ao longo da sua vida, uma árvore cresce graças à luz solar, à água, aos sais minerais e ao CO₂. Acumula, de forma natural, a energia do sol e dá-nos o oxigénio indispensável para a vida.

A quantidade de CO₂ que se liberta durante a combustão da lenha não é superior à que se emitiría através da sua decomposição natural. Portanto, estamos perante um tipo de energia que respeita o ciclo natural de milhões de anos. A combustão da lenha não aumenta o CO₂ no meio-ambiente, pelo que é uma energia ecológica que não contribui para o efeito de estufa.

Nas nossas salamandras a lenha queima-se de forma limpa, sem deixar resíduos. A cinza da lenha é um adubo de alta qualidade, rico em sais minerais. Ao comprar uma salamandra de lenha está a ajudar o meio-ambiente, terá um aquecimento económico e desfrutará do espectáculo das chamas que nenhum outro tipo de aquecimento pode oferecer.

Brandhout: milieuvriendelijke energie

Brandhout is een vervangbare energie die voldoet aan de energie- en milieueisen van de 21^{ste} eeuw.

In de loop van zijn leven groeit een boom dankzij zonlicht, water, mineraalzouten en CO₂. Hij verzamelt op natuurlijke wijze de zonne-energie en geeft ons de zuurstof die nodig is om te leven.

De hoeveelheid CO₂ die tijdens het stoken van hout wordt uitgestoten is niet groter dan die vrijkomt door natuurlijke ontbinding. Daarom hebben we te maken met een energiesoort die de natuurlijke cyclus van miljoenen jaren respecteert. De verbranding van hout verhoogt de CO₂-emissie in het milieu niet, waardoor het een milieuvriendelijke energie is die niet bijdraagt aan het broeikaseffect.

In onze kachels wordt het brandhout schoon en zonder afvalstoffen gestookt. Houtas is mest van hoge kwaliteit en rijk aan mineraalzouten. Door een

houtkachel te kopen helpt u het milieu, heeft u een goedkope verwarming en geniet u van de gezellige vlammen die geen andere verwarming u kan bieden.

Il legno: un'energia ecologica

Il legno è una fonte d'energia rinnovabile che offre una soluzione alle sfide energetiche e ambientali del XXI secolo.

Un albero cresce grazie alla luce del sole, all'acqua, ai sali minerali e alla CO₂. Accumula in modo naturale l'energia del sole e ci fornisce l'ossigeno indispensabile alla vita.

La quantità di CO₂ che si produce durante la combustione del legno non è superiore a quella che libererebbe per scomposizione naturale. Pertanto ci troviamo in presenza di un tipo di energia che rispetta il ciclo naturale di milioni di anni. La combustione del legno non aumenta il livello di CO₂ presente nell'ambiente, quindi si tratta di una fonte d'energia ecologica che non contribuisce all'effetto serra.

Nelle nostre stufe, la legna brucia in modo pulito e non lascia residui. La cenere del legno è un fertilizzante d'elevata qualità, ricco di sali minerali. Quando compra una stufa a legna, dà una mano all'ambiente, ottiene un riscaldamento economico, e può godere dello spettacolo delle fiamme che nessun altro tipo di riscaldamento le può offrire.

Drewno: paliwo ekologiczne

Drewno jest energią odnawialną, która odpowiada na wyzwania energetyczne i ekologiczne XXI wieku. Podczas całego swojego życia drzewo rośnie dzięki światłu słonecznemu, wodzie, solom mineralnym i dwutlenkowi węgla (CO₂). W sposób naturalny akumuluje energię i daje nam tlen niezbędny do życia.

Ilość dwutlenku węgla wydzielanego podczas spalania drewna nie jest większa od tej, jaka byłaby wydzielana w trakcie jego rozkładu naturalnego. Dzięki temu mamy do czynienia z energią, która jest w zgodzie z cyklem natury trwającym miliony lat. Spalanie drewna nie zwiększa poziomu CO₂ w środowisku, przez co drewno jest paliwem ekologicznym, nie przyczynia się do wzrostu efektu cieplarnianego.

W naszych piecykach drewno spala się całkowicie i nie pozostawia odpadów. Popiół, który pozostaje jest nawozem wysokiej jakości, bogatym w sole mineralne. Kupując piecyk kominkowy opalany drewnem pomagają Państwo dbać o środowisko, korzystając z ekonomicznego ogrzewania i mają możliwość podziwiania piękna płomieni, którego nie zapewni Państwu żaden inny rodzaj ogrzewania.

ASSEMBLY INSTRUCTIONS

CONTENTS OF THE BOX:

- 1 stove
- 1 extractor hood
- 1 flue (in 2 parts)
- 1 bag with 8 screws + 8 nuts + 1 key

WE RECOMMEND THAT ASSEMBLY IS DONE BY TWO PEOPLE WEARING PROTECTIVE GLOVES

1. Open the box, lift out the extractor hood and place it on the floor.
2. Place the two parts of the flue on the bubble wrap with which they were packaged, or alternatively on carpet or plastic. Place them with the grooves facing up to form a 'U' shape. Avoid direct contact with the floor so that they do not scratch it during the assembly process.
3. Place the stove in the location in which it will be installed.
4. Place the tube over the smoke outlet flue and make the final connection of the outlet flue to the ceiling (This tube is not included in the box).
5. Measure the distance from the floor to the ceiling and then subtract 1,29 m from this measurement and write down the final result. The assembly of the two flue parts must match this result or be a millimetre or so less (but no more).
6. Assemble the two parts of the flue at the part that does not contain the 2 bottom holes.

ATTENTION: when doing the assembly, do it gently without assembling more than the necessary degree (because otherwise when you remove the part from the flue, it could scratch it).



7. Insert the 4 screws into the last groove on the bottom of the flue (where there are 2 holes) at the two ends and screw them in tightly.
8. After assembled, take the assembled flue and place with part with the 2 holes facing down on the extractor hood. First insert the 2 screws into the 2 ends of the grooves at the front part of the flue, screw them in tightly and, secondly, insert the other 2 screws into the 2 ends of the grooves at the back of the flue.
9. With two people and working very carefully, place the hood + flue set onto the stove leaning slightly forward. Directly below the hood there are metal flanges on both sides (in the front and back part of the hood) that are used to guide the hood. Using these flanges, slide it towards the back of the stove. When you reach the metal flanges at the front of the hood, lift it slightly so that it fits correctly.

USAGE AND MAINTENANCE INSTRUCTIONS

You have purchased a PANADERO product. Apart from correct maintenance, our woodstoves require installation strictly in accordance with legislation. Our products conform to the EN 13240:2001 and A2:2004 European norm, however it is very important for you the consumer to know how to correctly use your woodstove following the recommendations we set out. **For this reason, before installing our product you must read this manual carefully and follow the usage and maintenance instructions.**

INSTALLATION

You have purchased a wood burning stove with a vermiculite insulated combustion chamber. Do not remove the vermiculite boards!!!!

- All local regulations, including those referring to National and European standards need to be complied with when installing the appliance.
- The installation of the smoke outlet must be as vertical as possible, avoiding the use of joints, angles and deviations. If the installation is connected to a masonry chimney pipe we recommend the tubes reach the exterior exit. If the smoke outlet is via tubing only, at least three meters of vertical tubing are recommended.
- IMPORTANT: The installation and regular cleaning of this stove must be carried out by a qualified professional. The ventilation opening must never be obstructed.
- IMPORTANT: The woodstove must be installed in a well ventilated place. It is advisable to have at least one window in the same room as the stove which can be opened.
- The tube connections should be sealed with a refractory putty to prevent soot from falling through the joints.
- Do not position the stove near combustible walls. The stove should be installed on a non-combustible floor surface, if not a metal plate covering the bottom surface area of the stove must be placed underneath it and extend further than 15 cm at the sides and 30 cm at the front.
- Whilst the stove is in use remove any material nearby which could be damaged by the heat: furniture, curtains, paper, clothes, etc. The minimum safety distance from adjacent combustible materials is as shown on the last page of this manual.
- The ease of access for the cleaning of the product, smoke outlet and chimney must be considered. If you intend to install your stove near an inflammable wall, we advise you to leave a minimum distance to facilitate cleaning.
- This stove is not suitable for installation in any chimney system shared by other sources.
- The stove should be installed on flooring with adequate support. If your current floor

does not comply with this criterion, it should be adapted with appropriate measures (for example, a weight distribution plate).

FUEL

- Use only dry wood with a maximum moisture content of 20%. Wood with a moisture content higher than 50 or 60% does not heat and combusts very badly, and creates a lot of tar, releases excessive amounts of vapour and deposits excess sediments onto the stove, glass and smoke outlet.
- The fire should be lit using special fire lighters, or paper and small pieces of wood. Never try to light the fire using alcohol or similar products.
- Do not burn domestic rubbish, plastic materials or greasy products that can pollute the environment and lead to risks of fire due to obstruction of the pipes.

FUNCTION

- **It is normal for smoke to appear during the first few uses of the stove, as certain components of the heat-resistant paint burn whilst the pigment of the actual stove is fixed. Therefore the room should be aired until the smoke disappears.**
- The woodstove is not designed to function with the door open under any circumstances.
- The stove is intended to function intermitently with intervals for recharging the fuel.
- For the lighting process of the stove it is recommended you use paper, fire lighters or small sticks of wood. Once the fire starts to burn, add to it two logs of wood each weighing 3 to 3,2 kg as a first initial charge. In this lighting process the air inlets of the stove must be kept completely open. If necessary the drawer for removing ashes can also be opened to begin with. Once the fire is more intense, close the drawer completely (if open) and regulate the intensity of the fire by closing and opening the air inlets.
- In order to achieve the stated nominal heat output of this stove a total quantity of 3.5 kg of wood (roughly three logs weighing a little over 1 kg each) must be placed inside at intervals of one hour. The logs should be positioned horizontally and separate from one another, to assure a correct combustion. In any instance a charge of fuel must not be added to the stove until the previous charge has been burnt, leaving only a basic fire bed which is enough to light the next charge but no stronger.
- To achieve a slow combustion you should regulate the fire with the air draughts, which must be kept permanently unblocked to allow the combustion air to be distributed.
- After the first initial lighting, the brass pieces of the stove may become a coppery colour.
- It is normal for the seal of the glass door panel to melt with use. Even though the stove can function without this seal, it is recommended that you replace it seasonally.
- The lower drawer can be removed in order to clear out ash. Empty it regularly without

- waiting for it to fill up too much, to avoid the grill becoming damaged. Take care with the ash which may still be hot up to 24 hours after the stove has been used.
- Do not open the door abruptly in order to avoid smoke being released, and never open it without opening the air draught beforehand. Open the door only in order to put in the appropriate fuel.
 - The glass, brass pieces and stove in general may reach very high temperatures. Do not expose yourself to risks of burns. When handling metal pieces, use the glove provided with the stove.
 - Keep children away from the stove.
 - If you have trouble lighting the stove (due to cold weather, etc.) it can be lit with folded or scrunched up paper which is easier to light.
 - In case of the stove becoming too hot, close the air draughts to reduce the intensity of the fire.
 - In case of malfunction, contact us the manufacturers.

MAINTENANCE

- It is advisable to clean the glass door panel periodically to avoid blackening by soot deposits. Professional cleaning products are available for this. Never use water. Never clean the stove while it is in use.
- It is also important to clean the smoke outlet tubing periodically and check there are no blockages before relighting fuel after a long period of non-use. At the start of each season a professional should carry out a revision of the installation.
- In the event of a fire in the smoke outlet, close all air draughts if possible and contact the authorities immediately.
- Any replacement part which you may need must be recommended by us.

GUARANTEE

This is a high quality stove, manufactured with great care. Even so, if any defect is found please first contact your distributor. If they are unable to solve the problem they will contact us and send us the stove if necessary. Our company will replace any faulty parts free of charge up to two years from the date of purchase. We will not charge for repair work, however any transport costs must be paid by the client.


Since this apparatus has been tested by a homologated laboratory the following parts are NOT covered by warranty:

- | | |
|-----------------|-------------------------------------|
| -Glass | -Vermiculite |
| -Internal grate | -Door handle, air-inlet knobs, etc. |

In the interior of the packaging, you will find a quality control slip. We request that you send this to your distributor in case of any claim.

MEASUREMENTS AND CHARACTERISTICS

- Height.....	2.067-2.835 mm	- Nominal heat output.....	7,1 kW
- Width.....	700 mm	- Energy efficiency.....	80,7%
- Depth.....	500 mm	- CO emission.....	0.10 %
- Weight.....	125 Kg	- Minimum flue draught for nominal heat output.....	12 Pa
- Firewood entrance.....	460 x 295 mm	- Flue gas mass flow.....	10.1 g/s
- Ironsheet body of 5 mm.		- Flue gas temperature.....	296 °C
- Smoke outlet.....	150-153 mm	- Distance to adjacent combustible materials.....	70 cm
- Paint, resistant up to 800 °C		- Heating volume (aprox.).....	300 m ³
- Vitro-ceramic glass, 750 °C			
- Firewood up to 50 cm long			

 EN 13240: 2001 & A2: 2004	H I J O D E M I G U E L PANADERO P.I. CAMPOLLANO AVENIDA 5ª, 13-15 02007 ALBACETE -SPAIN
"CANADA ECO" WOODSTOVE..... 21 FREESTANDING ROOMHEATER FIRED BY SOLID FUEL CERTIFICATE Nº EZKA/11/054-3 DECLARATION OF PERFORMANCE 18810 NOTIFIED BODY..... 0608	
Thermal output..... 7,1 kW Energy efficiency..... 80,7 % Emission of CO in combustion products 0.10 % Flue gas temperature..... 296 °C Distance to adjacent combustible materials 70 cm Fuel types..... Firewood and briquetted wood	

INSTRUCTIONS DE MONTAGE

CONTENU DU CARTON:

- 1 foyer
- 1 hotte
- 1 conduit (en 2 parties)
- 1 sachet avec 8 vis + 8 écrous + 1 clé

NOUS CONSEILLONS QUE CETTE OPÉRATION SOIT RÉALISÉE PAR 2 PERSONNES ET AVEC DES GANTS DE PROTECTION

1. Ouvrir le carton, soulever la hotte et la disposer au sol.
2. Placer les 2 parties du conduit avec les rainures vers le haut en formant un U, sur le papier bulle de l'emballage, ou sur une moquette ou plastique, éviter de les placer en contact direct avec le sol afin de ne pas les rayer pendant l'opération de montage.
3. Placer le foyer où le poêle sera définitivement installé.
4. Placer le tuyau sur la buse de sortie de fumées et faire la connexion définitive de la sortie des fumées au toit. (Ce tuyau n'est pas fourni avec le poêle).
5. Mesurer la distance du sol au plafond et à cette mesure soustraire 1,29 m et noter le résultat. La mesure des 2 parties du conduit doit correspondre au résultat noté auparavant ou quelques millimètres de moins, mais jamais de plus.
6. Assembler les 2 parties du conduit par la partie qui n'a pas les 2 trous inférieurs.

ATTENTION : Lors de l'assemblage, soyez très précis et vigilant afin de ne pas assembler plus que la mesure nécessaire (sinon lorsque vous retirerez la partie du conduit, celle-ci pourrait être rayée).



7. Introduire les 4 vis dans la dernière rainure du conduit inférieur (celui qui a 2 trous) dans les 2 extrémités et visser fort.
8. Une fois monté, prendre le conduit et disposer la partie perforée vers le bas sur la hotte, mettre d'abord les 2 vis dans les 2 extrémités des rainures sur la partie avant du conduit, visser fort et ensuite mettre les 2 autres vis dans les 2 extrémités des rainures de la partie arrière du conduit.
9. A deux et avec beaucoup de précaution, disposer l'ensemble hotte + conduit sur le foyer en l'inclinant légèrement vers l'avant. Juste sous la hotte se trouve des languettes métalliques de chaque côté (à l'avant et à l'arrière de la hotte) qui servent à la positionner en la faisant glisser jusqu'à la partie arrière du foyer et lorsqu'on arrive aux languettes métalliques qui se trouvent sur la partie avant de la hotte, la lever légèrement et l'encastrier.

INSTRUCTIONS D'UTILISATION ET D'ENTRETIEN

Vous venez d'acquérir un produit de la marque PANADERO, nos poêles non seulement requièrent un entretien adéquat mais également une installation conforme à la législation en vigueur. Nos produits sont conformes à la norme européenne EN 13240:2001 et A2: 2004 mais il est très important que le consommateur sache utiliser correctement son poêle selon les conseils que nous vous indiquons. **Pour cette raison, avant d'installer notre produit vous devrez lire rigoureusement ce manuel et suivre nos instructions d'utilisation et d'entretien.**

INSTALLATION

- Vous avez acheté un poêle à bois dont la chambre à combustion est revêtue de vermiculite. Ne pas enlever ces pièces en vermiculite.
- Il est nécessaire de respecter les réglementations nationales, régionales et locales sur l'utilisation des appareils et des combustibles lors de l'installation du poêle.
- L'installation doit être la plus verticale possible, en évitant l'utilisation de coudes ou déviations. Si l'installation se raccorde à un conduit de cheminée de maçonnerie, il est conseillé qu'elle soit munie de tubes jusqu'à la sortie extérieure. Dans le cas où l'installation soit seulement munie de tubes, il est conseillé qu'elle ait au moins 3 mètres linéaires.
- Attention: l'installation de ce poêle à bois doit être effectuée par un professionnel qualifié. Ne pas obstruer les ouvertures d'aération. Attention: ce poêle doit être installé dans une pièce aérée et bien ventilée. Il est conseillé d'avoir au moins une fenêtre qui puisse s'ouvrir, dans la même pièce où sera installée le poêle.
- Les tuyaux doivent être scellés avec un mastic réfractaire pour empêcher que la suie produite par la combustion ne coule par les joints.
- Ne pas placer le poêle près de murs combustibles. Le poêle doit être installé sur un sol non inflammable, dans le cas contraire, une plaque devra être installée sous l'appareil, elle devra couvrir la superficie du poêle et dépasser de 15 cm. sur les côtés et 30 cm. sur la partie de devant.
- Pendant le fonctionnement, éloignez du poêle, toute matière pouvant être altérée par la chaleur: meubles, rideaux, papiers, vêtements, etc... La distance de sécurité minimum à matériaux combustibles est celle indiquée à la dernière page de ce manuel.
- Il est important de prévoir le facile accès pour le nettoyage de l'appareil, du conduit de fumée et de la cheminée. Si vous pensez placer votre poêle près d'un mur non inflammable, nous vous conseillons de laisser une distance minimum pour faciliter les opérations de nettoyage.
- Ce poêle n'est pas fait pour être installé dans un système de cheminée compartimenté avec d'autres appareils.
- L'appareil doit être installé sur un sol ayant une capacité de portée adéquate. Si la construction ne répond pas à cette exigence, il faudra adopter les mesures nécessaires (par exemple en installant une plaque de distribution de charge).

COMBUSTIBLE

- Utilisez comme combustible du bois sec, en veillant à ce qu'il ne dépasse pas 20% le degré d'humidité. Sachez, qu'un bois ayant 50% ou 60% d'humidité ne chauffe pas, il a une très mauvaise combustion, il crée beaucoup de goudron, il dégage une vapeur d'eau excessive et il produit des sédiments excessifs dans l'appareil, la vitre et les conduits de fumée. Vous pouvez également utiliser des briquettes de bois pressé.
- Allumez le feu avec des pastilles prévues à cet effet, ou avec l'aide de papier et brindilles. N'utilisez jamais d'alcool à brûler ou de produits similaires.
- Ne brûlez pas de déchets ménagers, matières plastiques ou de produits gras qui polluent l'environnement et provoquent des risques de feu de cheminée par encrassement du conduit.

FONCTIONNEMENT

- **Lors des premiers allumages, il est normal que de la fumée se dégage. Cela est dû à ce que certains composants de la peinture anticorrosive brûlent en même temps que s'adhère le pigment au poêle. Nous conseillons d'aérer abondamment la pièce jusqu'à ce que cela disparaisse.**
- Le poêle n'est pas prévu pour fonctionner «porte ouverte».
- Cet appareil est prévu pour fonctionner de manière discontinue avec des temps de recharge de combustible.
- Pour l'allumage du poêle il est recommandé d'utiliser du papier, des pastilles d'allumage et des brindilles. Une fois que le feu commence à fonctionner, ajoutez pour la première charge deux morceaux de bois de 3 à 3,2 Kg. Pendant cette phase d'allumage, les tirages d'air doivent être complètement ouverts.
- Une fois que le feu commence à prendre de l'intensité, régler l'intensité du feu en fermant plus ou moins les tirages d'air.
- Pour atteindre la puissance nominale de l'appareil vous devez utiliser une quantité approximative de 3.5 Kg. de bois (trois bûches d'environ 1 Kg.) en intervalles d'une heure. Les bûches doivent être disposées horizontalement en laissant un petit espace entre chacune d'elles afin d'assurer une correcte combustion. Vous ne devez pas recharger de combustible votre appareil avant que la charge antérieure ne se soit consommée et qu'il reste seulement le lit de braises nécessaire à la reprise de la combustion.
- Pour arriver à une combustion au ralenti vous devrez régler l'intensité du feu par les tirages d'air. Ceux-ci devront rester toujours libres d'accès pour permettre une bonne circulation de l'air de combustion.
- Il est normal que le joint en fibre de verre se désintègre. Bien que le poêle puisse fonctionner sans le joint, nous vous recommandons de le changer chaque saison.
- Le tiroir sert à retirer les cendres. Videz le régulièrement sans attendre qu'il se remplisse trop afin d'éviter que se détériore la grille.
Sachez que jusqu'à 24 heures après, les cendres peuvent être encore chaudes.
- N'ouvrez pas la porte de l'appareil brusquement afin éviter que la fumée ne sorte. N'ouvrez jamais la porte sans avoir ouvert avant le registre. Ouvrez la porte seulement

- quand vous devez charger le poêle avec le combustible adéquat.
- La vitre, les pièces en laiton et l'appareil en general peuvent atteindre des températures élevées, attention aux risques de brûlures lors de l'utilisation. Pour manipuler ces pièces, utilisez le gant fourni avec le poêle.
 - Tenez éloignés les jeunes enfants pour éviter des brûlures lors de l'utilisation.
 - Si le démarrage du poêle cause certains problèmes (Inter-saison, cheminée froide...). Vous pouvez allumer un feu d'appel avec du papier froissé ce qui aidera à mettre en marche le poêle.
 - Dans le cas de surchauffe, fermez le tirage d'air pour réduire l'intensité du feu.
 - Dans le cas de mauvais fonctionnement, fermez le tirage d'air et consultez le fabricant.

ENTRETIEN

- Un nettoyage quotidien de la vitre permet d'éviter le dépôt de suie sur le verre. Utilisez pour cela un nettoyeur spécial vendu dans le commerce. N'utilisez jamais d'eau. Ne tentez jamais de nettoyer votre poêle en fonctionnement.
- Il est aussi très important de nettoyer régulièrement les conduits de fumée de l'appareil et vous devrez vous assurer l'absence de blocage avant de remettre en marche l'appareil après une période prolongée de non allumage.
- Chaque début de saison, il est important qu'un professionnel réalise l'entretien de votre installation.
- Dans le cas d'un incendie de cheminée, si vous le pouvez, fermez les tirages d'air et contactez immédiatement les autorités.
- Toute pièce de rechange doit être recommandée par le fabricant.

GARANTIE

Cet appareil est un produit de qualité qui a été fabriqué avec le plus grand soin. Si malgré tout, vous constatiez une anomalie, commencez par demander conseil au revendeur. Si ce dernier n'est pas en mesure de vous solutionner le problème, il nous contactera et, si la situation l'exige nous enverra l'appareil. Le délai de garantie étant de deux ans à compter de la date d'achat, nous nous engageons à remplacer gratuitement les pièces défectueuses pendant ce délai. Néanmoins les frais de transport sont à la charge du client.


Étant donné que ce dispositif a été testé par un laboratoire agréé, ne sont pas couverts par la garantie les pièces suivantes:

- Vitre
- La grille en fonte
- Vermiculite
- Poignées (de la porte et tirage)

A l'intérieur de l'emballage se trouve une fiche de contrôle de qualité, nous vous prions de la remettre au revendeur en cas de réclamation.

MESURES ET CARACTERISTIQUES

- Hauteur.....	2.067-2.835 mm	- Puissance nominale.....	7,1 kW
- Largeur.....	700 mm	- Rendement.....	80,7 %
- Profondeur.....	500 mm	- Emission de CO.....	0.10 %
- Poids.....	125 Kg	- Tirage minimum de la cheminée pour puissance nominale.....	12 Pa
- Porte entrée bois.....	460 x 295 mm	- Débit massique des fumées..	10,1 g/s
- Corps en acier de 5 mm.		- Température des fumées.....	296°C
- Sortie fumée.....	150-153 mm	- Distance par rapport aux matériaux combustibles adjacents.....	70 cm
- Foyer entièrement en fonte		- Volume de chauffe (aprox.).....	300 m ³
- Peinture résistante à 800 °C			
- Vitre vitrocéramique 750 °C			
- Bûches jusqu'à 50 cm			

	HIJO DE MIGUEL PANADERO P.I. CAMPOLLANO AVENIDA 5ª, 13-15 02007 ALBACETE - SPAIN
	EN 13240: 2001 & A2: 2004
POÊLE A BOIS "CANADA ECO".....21 POÊLE INDEPENDANT A COMBUSTIBLE SOLIDE CERTIFICATE N° EZKA/11/054-3 DECLARATION DES PERFORMANCES 18810 L ORGANISME NOTIFIE 0608	
Puissance calorifique.....	7,1 kW
Rendement énergétique.....	80,7 %
Emission de CO par les produits de combustion.....	0.10 %
Températures des produits de combustion	296 °C
Distance par rapport aux matériaux combustibles.....	70 cm
Type de combustible.....	Bois et briquettes

INSTRUCCIONES DE MONTAJE

CONTENIDO DE LA CAJA:

- 1 hogar
- 1 campana
- 1 conducto (en 2 partes)
- 1 bolsita con 8 tornillos + 8 tuercas + 1 llave

ACONSEJAMOS QUE ESTE MONTAJE SEA REALIZADO POR 2 PERSONAS Y CON GANTES DE PROTECCIÓN

1. Abrir la caja, levantar la campana y colocarla en el suelo
2. Colocar las dos partes del conducto con las ranuras hacia arriba formando una U, sobre el papel de burbuja con el que van embaladas, o sobre moqueta o plástico. Evitar colocarlas en contacto directo con el suelo para que no se arañen durante la operación de montaje.
3. Colocar el hogar donde la estufa estará definitivamente instalada.
4. Colocar el tubo sobre la boquilla de salida de humos y hacer la conexión definitiva de la salida de humos del techo. (Este tubo no viene incluido en la caja).
5. Medir la distancia del suelo al techo y a esa medida restarle 1,29 m y anotar este resultado. El ensamblaje entre las 2 partes del conducto tiene que medir el resultado anotado anteriormente o algún milímetro menos (pero no más).
6. Ensamblar las 2 partes del conducto por la parte dónde no estén los 2 taladros inferiores.

ATENCIÓN: en el momento del ensamblaje, hágalo suavemente sin que en ningún momento ensamble más de la medida necesaria (porque en caso contrario al volver a sacar la parte de conducto, esta se podría haber arañado).



7. Introducir los 4 tornillos en la última ranura del conducto inferior (el que tiene 2 taladros) en las 2 extremidades y atornillarlos con fuerza.
8. Una vez montado, coger el conducto ensamblado y colocar la parte que tiene 2 taladros hacia abajo sobre la campana y poner primero los 2 tornillos en las 2 extremidades de las ranuras de la parte delantera del conducto, atornillar con fuerza y en segundo lugar los otros 2 tornillos en las 2 extremidades de las ranuras de la parte trasera del conducto.
9. Entre dos personas y con mucha precaución, colocar el conjunto campana + conducto, sobre el hogar ligeramente inclinado hacia delante, justo debajo de la campana hay una pestaña de metal a ambos lados (en la parte delantera y trasera de la campana) que sirve para guiar la campana y deslizarla hacia la parte trasera de la estufa. Cuando lleguemos a las pestañas metálicas que están en la parte delantera de la campana, levantarla ligeramente hasta que encaje correctamente.

INSTRUCCIONES DE UTILIZACIÓN Y DE MANTENIMIENTO

Acaba de adquirir un producto de la marca PANADERO, además de un mantenimiento correcto nuestras estufas requieren una instalación conforme a la legislación en vigor. Nuestros productos son conformes a la norma europea EN 13240:2001 y A2:2004 pero es muy importante para el consumidor que sepa utilizar correctamente su estufa según las recomendaciones que indicamos. **Por esta razón antes de instalar nuestro producto deberá leer rigurosamente este manual y seguir nuestras instrucciones de utilización y de mantenimiento.**

INSTALACIÓN

- Usted ha comprado una estufa de leña concebida con la cámara de combustión revestida de vermiculita.
No retire de la estufa estas piezas de vermiculita.
- Todas las reglamentaciones locales, incluidas las que hacen referencia a normas nacionales o europeas, han de cumplirse cuando se instala al aparato.
- La instalación debe ser lo más vertical posible, evitando la utilización de codos y desviaciones. En caso de que la instalación se conecte con un conducto de chimenea de albañilería se recomienda que los tubos lleguen hasta la salida exterior. En caso de que la instalación se realice sólo con tubos deberá tener 3 metros lineales como mínimo.
- Atención: La instalación de esta estufa debe ser efectuada por un profesional cualificado. No obstruir las aperturas de ventilación.
- Atención: esta estufa debe ser instalada en un local bien ventilado. Recomendamos que haya por lo menos una ventana que se pueda abrir, en la habitación dónde estará instalada la estufa.
- Los tubos deben ir sellados con una masilla refractaria para evitar que el hollín caiga por las juntas.
- No sitúe la estufa cerca de paredes combustibles. La estufa debe ser instalada en un suelo no inflamable, en el caso contrario una placa debe ser instalada debajo de la estufa, deberá cubrir la superficie de la estufa y sobresalir 15 cm a los lados y 30 cm. en la parte delantera.
- Mientras la estufa esté funcionando aleje de ella cualquier materia que pueda ser alterada por el calor: muebles, cortinas, papel, ropa, etc... La distancia de seguridad mínima a materiales combustibles es la indicada en la última página de este manual.
- Es necesario tener previsto la accesibilidad para la limpieza del aparato, del conducto de humos y de la chimenea. Si piensa instalar su estufa cerca de una pared no inflamable, le aconsejamos dejar una distancia mínima para facilitar las operaciones de limpieza.
- El aparato no es adecuado para instalar en un sistema de chimenea compartido con otros aparatos.
- El aparato debe instalarse en suelos que tengan una capacidad portante adecuada. Si la construcción ya existente no cumple este requisito previo, deben adoptarse las medidas adecuadas (por ejemplo, una placa de distribución de carga) para cumplirlo.

COMBUSTIBLE

- Utilice como combustible leña seca, procurando que no exceda de un 20% el grado de humedad. Tenga en cuenta que una leña con un 50% ó un 60% de humedad no calienta, tiene una combustión muy mala, crea mucho alquitrán, desprende un vapor de agua excesivo y produce sedimentos excesivos en el aparato, cristal y conducto de humos. También puede utilizar briquetas de leña prensada.
- Encienda el fuego con pastillas existentes para tal fin o con la ayuda de papel y leña menuda. No utilice jamás para el encendido alcohol o productos similares.
- No queme basuras domésticas, materias plásticas o productos grasos que contaminen el medioambiente y puedan provocar riesgos de incendios por obstrucción del conducto.

FUNCIONAMIENTO

- **Durante los primeros encendidos es normal que se produzca humo. Esto se debe a que se queman ciertos componentes de la pintura anticorrosiva al mismo tiempo que se adhiere el pigmento a la propia estufa. Por ello se recomienda ventilar abundantemente la habitación hasta que esto desaparezca.**
- La estufa no está hecha para funcionar con la puerta abierta.
- El aparato está pensado para trabajar de forma intermitente con intervalos de recarga de combustible.
- Para el proceso de encendido de la estufa se recomienda utilizar papel, pastillas de encendido y pequeños palitos de leña. Una vez que el fuego comience a funcionar, agregar en la primera carga dos palos de 3 a 3,2 Kg. de peso. En este proceso de encendido los tiros de aire de la estufa han de estar totalmente abiertos. Si fuese necesario también puede ayudarse, al comienzo, abriendo el cajón de las cenizas.
- Una vez que el fuego ha cobrado intensidad, cierre totalmente el cajón de cenizas (si lo ha abierto anteriormente) y regule la intensidad del fuego cerrando en mayor o menor medida los tiros de aire.
- Para conseguir la potencia nominal de esta estufa ha de colocar una cantidad de leña aproximada de 3.5 Kg. de peso (tres troncos de algo más de 1 Kg.) en intervalos de 1 hora. Los troncos los debe colocar en sentido horizontal ligeramente separados entre sí, para asegurar una correcta combustión. No se debe recargar el aparato hasta que no se haya consumido la carga anterior y sólo quede la reserva de brasas.
- Para lograr una combustión lenta debe regular la intensidad del fuego con los tiros de aire. Estos tendrán que quedarse siempre libre de bloqueo para permitir el suministro de aire de combustión.
- Es normal que después de los primeros encendidos las piezas de latón tomen un color cobrizo.
- Es normal que con el uso la junta de fibra de vidrio del cristal se deshaga. Aunque la estufa pueda funcionar sin esta junta, se recomienda que cada temporada se reponga.
- El cajón inferior sirve para retirar las cenizas. Vaciarlo a menudo sin esperar que se llene demasiado para evitar que se estropee la parrilla, tenga cuidado con la ceniza

- que hasta 24 horas después puede seguir estando caliente.
- No abra la puerta del aparato de forma brusca con el fin de evitar la salida de humos. No abra jamás la puerta de la estufa sin previamente abrir el tiro. Abra la puerta solo con el fin de recargar con el combustible adecuado.
 - El cristal, las piezas de latón y el aparato en general pueden alcanzar temperaturas muy elevadas, cuidado con los riesgos de quemaduras. Para manipular dichas piezas, utilice el guante adjunto con la estufa.
 - Mantener alejados a los niños para evitar quemaduras durante la utilización.
 - Si el arranque plantea problemas (temporada intermedia, chimenea fría, etc.) se puede encender un fuego de llamada con papel arrugado, lo que facilita la puesta en marcha de la estufa.
 - En el caso de sobrecalentamiento, cierre los tiros de aire para reducir la intensidad del fuego.
 - En el caso de mal funcionamiento, cierre los tiros de aire y consulte al fabricante.

MANTENIMIENTO

- Conviene limpiar periódicamente el cristal para evitar que los restos de hollín lo ennegrezcan. En el comercio existen limpiadores especiales para ello. No utilice nunca agua. No intente nunca limpiar su estufa en funcionamiento.
- También es importante limpiar periódicamente los conectores de humos del aparato y deberá comprobar la ausencia de bloqueo antes de volver a encender el aparato después de un periodo prolongado de parada. Cada principio de temporada es importante que un profesional realice un mantenimiento de su instalación.
- En caso de incendio en la chimenea, si puede, cierre los tiros de aire y contacte inmediatamente con las autoridades.
- Cualquier pieza de repuesto que necesite tiene que ser recomendada por nosotros.

GARANTÍA

Esta estufa es un producto de alta calidad, fabricada con gran esmero. Si, a pesar de ello, se produjera algún desperfecto, consulte primero con su distribuidor. Si él no puede solucionar el problema, se pondrá en contacto con nosotros y, si es necesario nos enviaremos la estufa. Nuestra empresa sustituye gratuitamente cualquier pieza defectuosa durante dos años a partir de la fecha de compra. Los gastos de transporte, sin embargo, correrán por cuenta del cliente.

Puesto que este aparato ha sido testado por un laboratorio homologado NO están cubiertas por la garantía las siguientes piezas:

- Cristal
- Parrilla de fundición
- Vermiculita
- Herrajes

En el interior del embalaje, encontrará una ficha de control de calidad, rogamos la remitir al distribuidor en caso de reclamación.

MEDIDAS Y CARACTERISTICAS

- Alto	2.067-2.835 mm	- Potencia calorífica nominal	7,1 kW
- Ancho	700 mm	- Rendimiento	80,7 %
- Fondo	500 mm	- Emisión de CO	0.10 %
- Peso	125 Kg	- Tiro en la chimenea para potencia nominal	12 Pa
- Puerta entrada leña	460 x 300 mm	- Caudal masico de humos	10.1 g/s
- Salida humos	150-153 mm	- Temperatura de los humos	296 ° C
- Cuerpo en acero de 5 mm.		- Distancia mínima a materiales combustibles	70 cm
- Hogar de hierro fundido		- Volumen de calefacción (aprox.)	300 m³
- Pintura anticorrosiva resistente a 800 °C			
- Vidrio vitrocerámico 750 °C			
- Troncos hasta 50 cm			

 <p>EN 13240: 2001 & A2: 2004</p>	<p>HIJO DE MIGUEL PANADERO P.I. CAMPOLLANO AVENIDA 5ª, 13-15 02007 ALBACETE - SPAIN</p>
	<p>ESTUFA DE LEÑA "CANADA.ECO"..... 21 ESTUFA INDEPENDIENTE PARA COMBUSTIBLE SOLIDO CERTIFICATE Nº EZKA/11/054-3 DECLARACION DE PRESTACIONES..... 18810 ORGANISMO NOTIFICADO 0608</p>
Potencia nominal	7,1 kW
Rendimiento	80,7 %
Emisión de CO en los productos de combustión	0.10 %
Temperatura de los humos	296 °C
Distancia mínima a materiales combustibles	70 cm
Tipos de combustible	Leña y briquetas

AANWIJZINGEN VOOR DE MONTAGE

INHOUD VAN DE DOOS:

- 1 haard
- 1 rookkap
- 1 rookkanaal (2-delig)
- 1 zakje met 8 schroeven + 8 moeren + 1 sleutel

WIJ RADEN AAN OM HET MONTEREN MET 2 PERSONEN TE VERRICHTEN EN BESCHERMENDE HANDSCHOENEN TE DRAGEN

1. Open de doos, til de rookkap op en plaats ze op de grond.
2. Plaats de twee delen van het rookkanaal in U-vorm met de groeven naar boven op het noppenfolie van de verpakking, of op een vast tapijt of plastic. Vermijd direct contact met de vloer om tijdens het monteren krassen te voorkomen.
3. Plaats de haard daar waar de kachel definitief geïnstalleerd zal worden.
4. Plaats de buis op de rookafvoeraansluiting en sluit de rookafvoer definitief aan op het plafond. (Deze buis wordt niet meegeleverd).
5. Meet de afstand tussen de vloer en het plafond, trek daarvan 1,29 m af en noteer het resultaat. De lengte van de 2 aan elkaar gemonteerde delen van het rookkanaal moet overeenstemmen met het eerder genoteerde resultaat of (niet meer dan) een millimeter minder.

6. Monteer de 2 delen van het rookkanaal aan elkaar aan de zijde waar onderaan geen 2 boorgaten zitten.

LET OP: Ga bij het assembleren langzaam te werk en assembleer nooit meer dan nodig is (zo niet kan het rookkanaal, wanneer een gedeelte wordt teruggetrokken, gekrast worden).



7. Breng de 4 schroeven in de laatste groef van het onderste deel van het rookkanaal (dat met twee boorgaten) aan de 2 uiteinden en draai de schroeven stevig vast.
8. Neem na de montage het aan elkaar gemonteerde rookkanaal en plaats het deel met 2 boorgaten naar beneden op de rookkap. Plaats eerst de 2 schroeven aan de 2 uiteinden van de groeven aan de voorzijde van het rookkanaal, draai de schroeven stevig vast en plaats vervolgens de twee andere schroeven aan de 2 uiteinden van de groeven aan de achterzijde van het rookkanaal.
9. Plaats, met twee personen, de aan elkaar gemonteerde rookkap + rookkanaal zeer voorzichtig op de iets naar voren gekantelde haard; net onder de rookkap bevindt zich aan weerszijden (aan de voor- en achterzijde van de rookkap) een metalen lipje dat ervoor zorgt dat de rookkap wordt geleid en naar de achterzijde van de haard wordt geschoven. Til, bij de metalen lipjes aan de voorzijde, de rookkap wat op totdat deze goed vastzit.

ONDERHOUD- EN GEBRUIKSAANWIJZING

U hebt een product gekocht van het merk PANADERO. Naast het juiste onderhoud, vergen onze kachels een installatie conform de geldige wetgeving. Onze producten voldoen aan de Europese norm EN 13240:2001 en A2:2004, maar het is erg belangrijk dat de consument de kachel volgens de hierna genoemde aanbevelingen op juiste wijze weet te gebruiken. **Om die reden dient u deze handleiding vóór het installeren van ons product zorgvuldig te lezen en onze onderhoud- en gebruiksaanwijzingen in acht te nemen.**

INSTALLATIE

- U heeft een houtkachel gekocht met een brandkamer voorzien van vermiculiet. Verwijder in geen geval deze stukken in vermiculiet uit de kachel.
- Alle lokale regelgeving, inclusief de nationale en Europese, dienen in acht te worden genomen bij de installatie van het toestel.
- De installatie dient zo verticaal mogelijk te zijn. Vermijd het gebruik van kniestukken en omleidingen. Wordt de installatie op een gemetselde schoorsteenpijp aangesloten, dan wordt aanbevolen dat de pijpen tot aan de afvoer naar buiten reiken. Wordt de installatie alleen met pijpen uitgevoerd, dan dient deze minimaal over 3 strekkende meter te beschikken.
- Opgelet: De installatie van deze kachel dient door een gekwalificeerde vakman te worden uitgevoerd. Bedek de ventilatieopeningen niet.
- Opgelet: deze kachel dient in een goed geventileerd vertrek te worden geïnstalleerd.
- De pijpen dienen te worden afgedicht met een vuurvaste kit om te voorkomen dat het roet door de naden komt.
- Zet de kachel niet dichtbij brandbare wanden. De kachel dient op een onbrandbare vloer te worden geïnstalleerd, anders dient onder de kachel een plaat te worden aangebracht die het hele oppervlak van de kachel bedekt en aan de zijkanten 15 cm en aan de voorkant 30 cm uitsteekt.
- Terwijl de kachel brandt, dient elk hittegevoelig materiaal ervan te worden verwijderd: meubels, gordijnen, papier, kleding, etc. De minimale veiligheidsafstand tussen de kachel en brandbare materialen wordt aangeduid op de laatste bladzijde van deze handleiding.
- Het apparaat moet toegankelijk zijn voor de reiniging van de kachel zelf, van het rookkanaal en van de schoorsteen. Als u van plan bent om de kachel dichtbij een onbrandbare wand te plaatsen, raden wij aan om een minimale afstand te bewaren zodat de kachel gemakkelijk schoongemaakt kan worden.
- Het apparaat is niet geschikt om op een schoorsteensysteem dat met andere apparaten wordt gedeeld aan te sluiten.
- Het apparaat moet op een vloer met het juiste draagvermogen worden geïnstalleerd. Als de reeds bestaande constructie niet aan deze voorafgaande vereiste voldoet, dienen de passende maatregelen te worden getroffen om hier wel aan te voldoen (bijvoorbeeld een lastverdeelplaat).

BRANDSTOF

- Gebruik droog brandhout als brandstof en zorg ervoor dat de vochtigheidsgraad ervan niet hoger dan 20% is. Houd er rekening mee dat een stuk brandhout met een vochtigheidsgraad van 50% of 60% niet verwarmt, zeer slecht brandt, veel teer voortbrengt, overdreven veel waterdamp uitstoot en overmatige afzettingen op het apparaat, het glas en het rookkanaal veroorzaakt. Ook kunnen geperste houtbriketten worden gebruikt.
- Steek het vuur aan met aanmaakblokjes of met behulp van papier of dunne takjes. Gebruik voor het aansteken van het vuur nooit alcohol of soortgelijke producten.
- Verbrand geen huisvuil, plastic materiaal of vette producten die het milieu vervuilen en brandgevaar kunnen veroorzaken door verstopping van het rookkanaal.

WERKING

- **De eerste keren dat u de kachel gebruikt is het normaal dat er rook ontstaat. Dit komt doordat er bepaalde componenten van de hittevaste verf verbranden en tegelijkertijd blijft het pigment aan de kachel plakken. Daarom wordt aanbevolen om de kamer ruimschoots te ventileren totdat de rook verdwijnt.**
- De kachel dient niet met open deur te werken.
- Het apparaat is ervoor bestemd om discontinu, met tussentijds bijvullen van brandstof, te functioneren.
- Voor het aansteken van de kachel wordt aanbevolen om papier, aanmaakblokjes en dunne takjes of stukjes brandhout te gebruiken. Zodra het vuur begint te branden, dienen twee houtblokken van 3 à 3,2 kg te worden toegevoegd. Bij het aanmaken moeten de trekkleppen van de kachel geheel geopend zijn. Zo nodig kan het ook van nut zijn om in het begin de asla te openen.
- Sluit, zodra het vuur goed brandt, de asla volledig (als u deze van tevoren heeft geopend) en regel de intensiteit van het vuur door de trekkleppen in meerdere of mindere mate te sluiten.
- Om het nominale vermogen van deze kachel te bereiken, dient om het uur ongeveer 3.5 kg brandhout (drie stukken van iets meer dan een kilo) in het apparaat te worden gelegd. De houtblokken dient u iets van elkaar gescheiden, horizontaal neer te leggen, zodat ze goed kunnen branden. Het apparaat dient niet bijgevoeld te worden, totdat de vorige lading opgestookt en alleen nog gloeiend houtskool over is.
- Voor een langzame verbranding dient de intensiteit van het vuur met de trekkleppen te worden geregeld. Deze mogen nooit geblokkeerd zijn, zodat er voldoende luchttoevoer is.
- Het is normaal dat de messing onderdelen, na de eerste keren dat de kachel wordt aangestoken, een koperachtige kleur krijgen.
- Het is normaal dat de glasvezelpakking van het glas na verloop van tijd losraakt. Hoewel de kachel zonder deze pakking ook kan functioneren, wordt aanbevolen om haar elk seizoen te vervangen.
- De onderste la is bedoeld voor het verwijderen van de as. Leeg de asla vaak en wacht niet totdat hij te vol zit om te voorkomen dat het rooster kapot gaat. Wees voorzichtig met de as. Deze kan na 24 uur nog steeds warm zijn.

- Om ervoor te waken dat er geen rook vrijkomt, is het beter om de deur van het apparaat niet bruusk open te maken. Open de deur van de kachel nooit zonder eerst de trekklep te hebben geopend. Open de deur alleen om de kachel met de geschikte brandstof bij te vullen.
- Het glas, de messing onderdelen en het apparaat in het algemeen kunnen zeer hoge temperaturen aannemen. Wees voorzichtig. Verbrandingsgevaar! Gebruik de bij de kachel meegeleverde want om die onderdelen te hanteren.
- Houd kinderen van de kachel verwijderd om te voorkomen dat ze zich tijdens het gebruik kunnen verbranden.
- Als bij het opstarten problemen ontstaan (tussenseizoen, koude schoorsteen, etc.), dan kan vuur worden aangestoken met gekreukeld papier. Hiermee wordt de inbedrijfstelling van de kachel vereenvoudigd.
- Sluit bij oververhitting de trekkleppen om de intensiteit van het vuur te reduceren.
- Sluit bij een slechte werking de trekkleppen en raadpleeg de fabrikant.

ONDERHOUD

- Het is gewenst om het glas regelmatig schoon te maken om te voorkomen dat het zwart wordt van de roetaanzetting. Er zijn speciale reinigingsmiddelen hiervoor in de handel. Gebruik nooit water. Probeer nooit een werkende kachel schoon te maken.
- Ook is het belangrijk om de rookkanalen van het apparaat regelmatig schoon te maken en te controleren of deze niet verstopt zijn, alvorens het apparaat, nadat deze een lange periode niet is gebruikt, opnieuw aan te maken. Aan het begin van elk seizoen is het belangrijk dat een vakman de installatie een onderhoudsbeurt geeft.
- Bij schoorsteenbrand, indien mogelijk, de trekkleppen dichtdoen en onmiddellijk contact opnemen met de autoriteiten.
- Elk reserveonderdeel dat u nodig heeft dient door ons te zijn aanbevolen.

GARANTIE

Deze kachel is een met zorg vervaardigd product van topkwaliteit. Als er desondanks schade ontstaat, neem dan eerst contact op met uw leverancier. Als hij het probleem niet kan oplossen, zal hij contact met ons opnemen en ons zo nodig de kachel toezenden. Ons bedrijf vervangt de eerste twee jaar na de aankoopdatum elk defect onderdeel gratis. De verzendkosten zijn echter voor rekening van de klant.

Aangezien dit apparaat is getest door een gecertificeerd laboratorium worden de volgende onderdelen niet gedekt door de garantie:

- Glas
- Gietijzeren rooster
- Vermiculiet
- Handvat, Knoppen, etc

In de verpakking vindt u een kwaliteitscontroleblad. Wij verzoeken u dit in geval van een klacht naar de leverancier te sturen.

AFMETINGEN EN EIGENSCHAPPEN

- Hoogte.....	2.067-2.835 mm	- Nominaal calorisch vermogen.....	7,1 kW
- Breedte.....	700 mm	- Rendement.....	80,7 %
- Diepte.....	500 mm	- CO-emissie.....	0.10 %
- Gewicht.....	125 Kg	- Minimale choorsteentrek voor nominaal vermogen.....	12 Pa
- Deurtje houtinvoer.....	460 x 300 mm	- Rookgasdebiet.....	10.1 g/s
- Rookafvoer.....	150-153 mm	- Rookgastemperatuur.....	296 °C
- Romp in 5 mm. dik staal		- Minimale afstand brandbare materialen.....	70 cm
- Hittevaste verf, bestand tegen 800 °C		- Verwarmingsvolume (ca.).....	300 m ³
- Keramisch glas 750 °C			
- Houtblokken tot 50 cm			

 EN 13240: 2001 & A2: 2004	HIJO DE MIGUEL PANADERO P.I. CAMPOLLANO AVENIDA 5ª, 13-15 02007 ALBACETE - SPAIN
HOUTKACHEL "CANADA ECO.....21 ONAFHANKELIJKE KACHEL VOOR VASTE BRANDSTOF CERTIFICATE N° EZKA/11/054-3 PRESTATIEVERKLARING..... 18810 AANGEMELDE INSTANTIE 0608	
Nominaal vermogen.....	7,1 kW
Rendement.....	80,7 %
CO-emissie verbrandingsproducten.....	0.10 %
Rookgastemperatuur.....	296 °C
Afstand van brandbare materialen.....	70 cm
Brandstofsoorten.....	Brandhout en briketten

INSTRUÇÕES DE MONTAGEM

CONTEÚDO DA CAIXA:

- 1 corpo base com recuperador de fundição
- 1 exaustor
- 1 conduta (em 2 partes)
- 1 pequeno saco com 8 parafusos + 8 porcas + 1 chave

ACONSELHAMOS QUE A MONTAGEM SEJA REALIZADA POR 2 PESSOAS E COM LUVAS DE PROTECÇÃO

1. Abrir a caixa, levantar o exaustor e colocá-lo no solo.
2. Colocar as duas partes da conduta, com as ranhuras para cima formando um U, sobre o papel protector com o qual vão embaladas, ou sobre carpete ou plástico. Evitar colocá-las em contacto directo com o solo para que não se arranhem durante a operação de montagem.
3. Colocar o corpo base onde a salamandra será definitivamente instalada.
4. Colocar o tubo sobre a boca de saída de fumos e realizar a ligação definitiva da saída de fumos no tecto. (Este tubo não vem incluído na caixa).
5. Medir a distância entre o solo e o tecto e a essa medida retirar 1,29 m - anotar este resultado. A montagem das 2 partes da conduta tem que medir o resultado anotado anteriormente ou algum milímetro menos (mas não mais do que isso).
6. Iniciar a montagem das 2 partes da conduta pela parte onde não estejam os 2 furos inferiores.

ATENÇÃO: no momento da montagem, realize-a suavemente sem que em nenhum momento seja montada mais do que a medida necessária (porque, caso contrário, ao voltar a retirar parte da conduta, esta podia ter-se arranhado).



7. Introduzir os 4 parafusos na última ranhura da conduta inferior (a que tem 2 furos) nas 2 extremidades e aparafusá-los com força.
8. Uma vez montada, pegar na conduta e colocar a parte que tem 2 furos voltada para baixo sobre o exaustor e colocar primeiro 2 parafusos nas 2 extremidades das ranhuras da parte da frente da conduta, aparafusar com força, e depois os outros 2 parafusos nas 2 extremidades das ranhuras da parte traseira da conduta.
9. O conjunto exaustor + conduta, sobre o corpo base ligeiramente inclinado para a frente deve ser instalado por duas pessoas e com muita precaução, precisamente por baixo do exaustor há uma pestana de metal em ambos os lados (na parte da frente e de trás) que serve para guiar o exaustor e deslizá-lo até à parte traseira da salamandra. Quando chegemos às pestanas metálicas que estão na parte da frente do exaustor, devemos levantá-lo ligeiramente até que encaixe correctamente.

INSTRUÇÕES DE UTILIZAÇÃO E DE MANUTENÇÃO

Acaba de adquirir um produto da marca PANADERO. Além de uma manutenção correcta, as nossas salamandras requerem uma instalação conforme com a legislação em vigor. Os nossos produtos estão conformes com a norma europeia EN 13240:2001 e A2:2004, mas é muito importante para o consumidor saber utilizar correctamente a sua salamandra de acordo com as recomendações que indicamos. **Por esta razão, antes de instalar o nosso produto deverá ler rigorosamente este manual e seguir as nossas instruções de utilização e de manutenção.**

INSTALAÇÃO

- Comprou uma salamandra a lenha cujo caixa de combustão está revestido com vermiculite. Não retire as peças em vermiculite.
- Todas as regulamentações locais, incluindo as que fizerem referência a normas nacionais ou europeias, deverão ser cumpridas quando se instala o aparelho.
- A instalação deve ser o mais vertical possível, evitando a utilização de curvas e desvios. No caso de a instalação estar ligada a uma conduta de uma lareira, recomenda-se que os tubos cheguem até à saída exterior. No caso de a instalação ser constituída só por tubos, esta deverá ter, no mínimo, 3 metros lineares.
- Atenção: A instalação desta salamandra deve ser efectuada por um profissional qualificado. Não obstruir as aberturas de ventilação.
- Atenção: esta salamandra deve ser instalada num local bem ventilado.
- Os tubos devem ser selados com uma massa refractária para evitar que a fuligem caia pelas juntas.
- Não coloque a salamandra perto de paredes combustíveis. A salamandra deve ser instalada num solo não inflamável, caso contrário, deve ser instalada uma placa em chapa debaixo da salamandra, que deverá cobrir a superfície da mesma e sobressair 15cm para os lados e 30cm na parte dianteira.
- Enquanto a salamandra estiver em funcionamento, afaste dela todas as matérias que possam ser alteradas pelo calor: móveis, cortinas, papel, roupa, etc... A distância de segurança mínima de materiais combustíveis é a indicada na última página deste manual.
- É necessário estar prevista a acessibilidade para a limpeza do aparelho, da conduta de fumos e da chaminé. Se pensa instalar a sua salamandra perto de uma parede não inflamável, aconselhamos-lhe a deixar uma distância mínima para facilitar as operações de limpeza.
- O aparelho não é adequado para ser instalado num sistema de chaminé partilhada com outros aparelhos.
- O aparelho deve ser instalado em solos que tenham uma capacidade resistente adequada. Se a construção já existente não cumpre este requisito prévio, devem ser

adoptadas as medidas adequadas (por exemplo, uma placa de distribuição de carga) para cumpri-lo.

COMBUSTÍVEL

- Utilize como combustível lenha seca, procurando que a mesma não exceda um grau de humidade de 20%. Tenha em conta que lenha com 50% ou 60% de humidade não aquece, tem uma combustão muito má, cria muito alcatrão, liberta vapor de água excessivo e produz sedimentos excessivos no aparelho, vidro e conduta de fumos. Também pode utilizar briquetes de lenha prensada.
- Acenda o lume com pastilhas existentes para esta finalidade ou com a ajuda de papel e pequenos paus de madeira. Nunca utilize para acender álcool ou produtos similares.
- Não queime resíduos domésticos, matérias plásticas ou produtos com gordura que contaminem o meio-ambiente e possam provocar risco de incêndios por obstrução da conduta.

FUNCIONAMENTO

- **Durante as primeiras vezes que acende o lume é normal que se produza fumo. Isto deve-se ao facto de se queimarem certos componentes da pintura anti-calórica, ao mesmo tempo que o pigmento adere à própria salamandra. Por isso, recomenda-se a ventilação abundante da sala até que tal desapareça.**
- A salamandra não foi feita para funcionar com a porta aberta.
- O aparelho foi pensado para trabalhar de forma intermitente, com intervalos de recarga de combustível.
- Para pôr a salamandra em funcionamento, recomenda-se a utilização de papel, pastilhas e ripas de madeira. Uma vez que o fogo comece a surgir, deve-se introduzir no primeiro carregamento dois troncos de 3 a 3,2 Kg. de peso. Neste processo, as saídas de ar da salamandra têm de estar totalmente abertas. Se for necessário, também pode ajudar, ao início, abrir a gaveta das cinzas.
- Uma vez que o lume tenha adquirido intensidade, feche totalmente a gaveta das cinzas (se foi aberta anteriormente) e regule a intensidade do lume fechando em maior ou menor medida as saídas de ar.
- Para conseguir a potência nominal desta salamandra deve colocar uma quantidade de lenha aproximada de 3.5 Kg. de peso (três troncos de pouco mais de 1 Kg.) em intervalos de 1 hora. Deve colocar os troncos em sentido horizontal, ligeiramente separados entre si, para assegurar uma correcta combustão. Não se deve recarregar o aparelho até que não se tenha consumido a carga anterior e só reste a reserva de brasas.
- Para conseguir uma combustão lenta, deve regular a intensidade do lume com as saídas de ar. Estas terão de estar sempre desbloqueadas para permitir o fornecimento de ar para a combustão.
- É normal que depois das primeiras vezes em que se acendeu a salamandra as peças de latão adquiram uma cor acobreada.
- É normal que com o uso a junta de fibra de vidro, do vidro, se desfaça. Apesar de a salamandra poder funcionar sem esta junta, recomenda-se que a mesma seja substituída periodicamente.
- A gaveta inferior serve para retirar as cinzas. Esvazie-a frequentemente, sem esperar

que se encha demasiado, para evitar que se danifique a grelha. Tenha cuidado com a cinza que até 24 horas depois pode continuar quente.

- Não abra a porta do aparelho de forma brusca com o fim de evitar a saída de fumo. Nunca abra a porta da salamandra sem previamente abrir a saída de ar. Abra a porta só com o fim de recarregar com o combustível adequado.
- O vidro, as peças de latão e o aparelho em geral podem alcançar temperaturas muito elevadas, cuidado com os riscos de queimaduras. Para manipular tais peças, utilize a luva junta com a salamandra.
- Manter afastadas as crianças para evitar queimaduras durante a utilização.
- Se o arranque apresenta problemas (temporada intermédia, chaminé fria, etc.) pode-se acender o lume de chamada com papel amanchucado, o que facilita o início do funcionamento da salamandra.
- No caso de sobreaquecimento, feche as saídas de ar para reduzir a intensidade do lume.
- No caso de mau funcionamento, feche as saídas de ar e consulte o fabricante.

MANUTENÇÃO

- Convém limpar periodicamente o vidro para evitar que os restos de fuligem o escureçam. No comércio existem produtos de limpeza especiais para isso. Não utilize nunca água. Nunca tente limpar a sua salamandra quando estiver em funcionamento.
- Também é importante limpar periodicamente as ligações de condutas de fumo do aparelho e deverá comprovar a ausência de obstrução antes de voltar a acender o aparelho, depois de um período prolongado sem funcionar. Em cada início de temporada é importante que um profissional realize uma manutenção à sua instalação.
- Em caso de incêndio na chaminé, se puder, feche as saídas de ar e contacte imediatamente as autoridades.
- Qualquer peça sobresselente que necessite tem de ser recomendada por nós.

GARANTIA

Esta salamandra é um produto de alta qualidade, fabricada com grande esmero. Se, apesar disso, surgir algum defeito, consulte primeiro o seu distribuidor. Se ele não puder solucionar o problema, entre em contacto connosco e, se necessário, envie-nos a salamandra. A nossa empresa substitui gratuitamente qualquer peça defeituosa durante dois anos a partir da data da compra. Os gastos de transporte, contudo, estão por conta do cliente.

Uma vez que este dispositivo foi testado por um laboratório certificado não são cobertos pela garantia os seguintes componentes:

- Crystal
- Grill Fundição
- Vermiculite
- Hardware

No interior da embalagem, encontrará uma ficha de controlo da qualidade. Solicitamos que a remeta ao distribuidor em caso de reclamação.

MEDIDAS E CARACTERÍSTICAS

- Altura.....	2.067-2.835 mm	- Potência calórica nominal.....	7,1 kW
- Largura.....	700 mm	- Rendimento.....	80,7 %
- Profundidade.....	500 mm	- Emissão de CO.....	0.10 %
- Peso.....	125 Kg	- Saída na chaminé para potência nominal.....	12 Pa
- Porta entrada lenha.....	460 x 300 mm	- Caudal en massa de fumos.....	10.1 g/s
- Saída fumos.....	150-153 mm	- Temperatura dos fumos.....	296 °C
- Corpo em aço de 5 mm.		- Distância mínima de materiais combustíveis.....	70 cm
- Recuperador de fundição		- Volume de aquecimento (aprox.).....	300 m ³
- Pintura anti-calórica resistente a 800°C			
- Vidro vitrocerâmico 750 °C			
- Troncos até 50 cm			

	<p>HIJO DE MIGUEL PANADERO P.I. CAMPOLLANO AVENIDA 5ª, 13-15 02007 ALBACETE -SPAIN</p>
<p>EN 13240: 2001 & A2: 2004</p>	
<p>SALAMANDRA DE LENHA "CANADA ECO"..... 21 SALAMANDRA INDEPENDENTE PARA COMBUSTÍVEL SÓLIDO CERTIFICATE Nº EZKA/11/054-3</p>	
<p>DECLARAÇÃO DE DESEMPENHO..... 18810 ORGANISMO NOTIFICADO..... 0608</p>	
Potência nominal.....	7,1 kW
Rendimento.....	80,7 %
Emissão de CO nos produtos de combustão.....	0.10 %
Temperatura dos fumos.....	296 °C
Distancia mínima de materiais combustíveis.....	70 cm
Tipos de combustível.....	Lenha e briquetes

ISTRUZIONI DI MONTAGGIO

CONTENUTO DELLA CONFEZIONE:

- 1 corpo del focolare
- 1 cappa campana
- 1 condotto di scarico (in 2 parti)
- 1 sacchetto 8 viti + 8 dadi + 1 chiave

CONSIGLIAMO CHE IL MONTAGGIO VENGA REALIZZATO DA 2 PERSONE MUNITE DI GUANTI DI PROTEZIONE

1. Aprire la cassa, estrarre la cappa e posizionarla nel suolo
2. Collocare le due parti del condotto di scarico, con le scanalature verso l'alto formando una U, sopra il foglio di plastica a bolle utilizzato per l'imballaggio o sopra un tappeto o un foglio di plastica. Evitare di posizionarle direttamente al suolo in modo da evitare eventuali graffi durante le operazioni di montaggio.
3. Collocare il corpo del focolare nella posizione dove verrà installata la stufa.
4. Posizionare il tubo sopra la bocca di uscita dei fumi e realizzare il collegamento definitivo alla canna di scarico dell'edificio. (Questo tubo non è incluso nella confezione).
5. Misurare la distanza tra il suolo e il soffitto da questa misura sottrarre 1,29 m e annotare il risultato. La misura dell'insieme delle due parti del condotto di scarico deve corrispondere alla misura calcolata precedentemente o essere inferiore di alcuni millimetri (la misura non deve essere, in nessun caso, maggiore)
6. Assemblare le due parti del condotto per la parte dove non sono presenti i 2 bulloni inferiori.

ATTENZIONE: durante le fasi di assemblaggio si deve prestare la massima cura e non si deve in nessun modo superare la misura necessaria (in caso contrario, nel tentativo di estrarre una parte del condotto, lo stesso si potrebbe danneggiare o graffiare).



7. Introdurre le 4 viti nella parte finale del condotto inferiore (quello dotato dei 2 bulloni) nelle 2 estremità ed avvitare con forza.
8. Una volta montato, prendere il condotto assemblato e collocare la parte con le 2 viti verso il basso sulla cappa posizionando prima le due viti nelle due estremità delle scanalature nella parte anteriore del condotto, avvitare con forza e successivamente posizionare le altre 2 viti nelle 2 estremità delle scanalature presenti nella parte posteriore del condotto.
9. In due persone e con molta attenzione collocare il gruppo Cappa e Condotto di scarico, sopra il corpo del focolare leggermente inclinato in avanti, sotto la Cappa è presente una staffa per ambo i lati (sia nella parte anteriore che posteriore della cappa) che serve per guidare la cappa e per far scorrere la stessa verso la parte posteriore della stufa. Quando si posiziona nelle staffe metalliche presenti nella parte anteriore della cappa, sollevarla con leggerezza sino a incastrarla correttamente.

ISTRUZIONI D'USO E MANUTENZIONE

Ha acquistato un prodotto della marca PANADERO; oltre a una corretta manutenzione, le nostre stufe richiedono un'installazione in conformità alla legislazione in vigore. I nostri prodotti sono conformi alla norma europea EN 13240:2001 e A2:2004, ma è molto importante che l'utente sappia utilizzare correttamente la sua stufa seguendo le nostre raccomandazioni. **Per questa ragione, prima d'installare il nostro prodotto deve leggere attentamente il presente manuale e seguire le nostre istruzioni d'uso e di manutenzione.**

IMPIANTO

- Lei ha comprato una stufa a legno progettata con la camera di combustione rivestita con vermiculite.
Non si devono rimuovere della stufa i pezzi di vermiculite.
- Quando s'installa l'apparecchio, bisogna rispettare tutti i regolamenti locali, compresi quelli che si riferiscono a norme nazionali o europee.
- L'impianto deve essere il più possibile verticale ed evitare l'uso di gomiti e deviazioni. Nel caso in cui l'impianto sia collegato mediante un condotto di camino in muratura, si raccomanda che i tubi arrivino fino all'uscita esterna. Nel caso in cui l'impianto sia realizzato esclusivamente con tubi dovrebbe avere un minimo di 3 metri lineari.
- Attenzione: l'installazione di questa stufa deve realizzarla da un professionista qualificato. Non ostruire le aperture di ventilazione.
- Attenzione: questa stufa va installata in un locale ben ventilato.
- I tubi devono essere sigillati con del mastice refrattario per evitare che la fuliggine cada dalle giunture.
- Non collocare la stufa nei pressi di pareti combustibili. La stufa va installata su un pavimento non infiammabile, altrimenti bisogna posizionare sotto la stufa stessa una placca che deve coprire la superficie della stufa e sporgere di 15 cm ai lati e 30 cm nella parte anteriore.
- Mentre la stufa è in funzionamento bisogna tenere lontano qualsiasi materiale che possa essere alterato dal calore: mobili, tendine, carta, abiti, ecc... La distanza minima di sicurezza da materiali combustibili è quella riportata nell'ultima pagina di questo manuale.
- E' necessario prevedere uno spazio d'accesso per effettuare la pulizia della stufa, del condotto del fumo e del camino. Se pensa di installare la sua stufa nei pressi di una parete non infiammabile, le consigliamo di lasciare una distanza minima in modo da favorire le operazioni di pulizia.
- Questa stufa non è adatta ad essere installata in un sistema di camino condiviso da altre stufe.
- La stufa va installata su pavimenti che presentino una capacità portante adeguata. Se la costruzione preesistente non rispetta questo requisito previo, bisogna adottare le misure adeguate (per esempio, una placca di distribuzione del carico) affinché lo rispetti.

COMBUSTIBILE

- Come combustibile bisogna usare legna secca, facendo in modo che non superi del 20% il livello d'umidità. E' necessario tener presente che della legna con un 50% o un 60% di umidità non riscalda, ha una pessima combustione, produce molto catrame, libera un'eccessiva quantità di vapore acqueo e forma eccessivi sedimenti nella stufa, sul cristallo e nel condotto del fumo. Si possono usare anche delle bricchette di legno pressato.
- Accendere il fuoco con le apposite pastiglie o con l'aiuto di carta e legna fine. Non bisogna mai usare per accendere il fuoco alcol o prodotti simili.
- Non bruciarvi rifiuti domestici, materie plastiche o prodotti grassi che inquinano l'ambiente e possono provocare rischi d'incendi per ostruzione del condotto.

FUNZIONAMENTO

- **Le prime volte che si accende è normale che venga prodotto del fumo. Ciò è dovuto al fatto che si bruciano certi componenti della vernice anticalore mentre il pigmento aderisce alla stufa stessa. Per tale ragione è raccomandabile ventilare abbondantemente la stanza finché questo fenomeno sparisce.**
- La stufa non è stata progettata per funzionare con lo sportello aperto.
- Il dispositivo è pensato per lavorare in maniera intermittente con intervalli di ricarica di combustibile.
- Per quanto riguarda il processo d'accensione della stufa si raccomanda di usare carta, pastiglie combustibili e piccoli legnetti. Una volta che il fuoco inizia a prendere, aggiungere nel primo carico due bastoni da 3 a 3,2 Kg. di peso. In questo processo d'accensione il tiraggio d'aria della stufa deve essere completamente aperto. Se fosse necessario è possibile anche aiutarsi all'inizio mediante l'apertura del cassetto della cenere.
- Una volta che il fuoco è diventato intenso, chiudere completamente il cassetto della cenere (se è stato aperto in precedenza) e regolare l'intensità del fuoco chiudendo in maggiore o minore misura il tiraggio dell'aria.
- Per ottenere la potenza nominale di questa stufa bisogna collocare una quantità di legna di circa 3.5 Kg. di peso (tre tronchi di 1 Kg. o poco più) a intervalli di 1 ora. I tronchi vanno collocati in senso orizzontale leggermente separati tra loro, in modo da garantire una corretta combustione. Non si deve ricaricare il dispositivo finché non è stata consumata la legna precedente e sia rimasta solo la riserva di braci.
- Per ottenere una combustione lenta bisogna regolare l'intensità del fuoco con il tiraggio dell'aria. Quest'ultimo deve essere sempre libero da intoppi per permettere l'entrata dell'aria per la combustione.
- E' normale che dopo le prime volte che si accende la stufa le parti di ottone assumano un colore ramato.
- E' normale che, con l'uso, si sgretoli la guarnizione di fibra di vetro del cristallo. Benché la stufa possa funzionare senza questa guarnizione, si raccomanda di sostituirla ogni stagione.
- Il cassetto inferiore serve a togliere la cenere. Svutarlo con frequenza, senza attendere che si riempia troppo onde evitare che si rovini la griglia; prestare attenzione alla

- cenere che può essere ancora calda fino a 24 ore dopo che è stato spento il fuoco.
- Non aprire lo sportello del dispositivo in maniera brusca in modo da evitare la fuoriuscita di fumo. Non aprire mai lo sportello della stufa senza aver prima aperto il tiraggio. Aprire lo sportello solo allo scopo di ricaricare il combustibile adeguato.
 - Il cristallo, i pezzi d'ottone e il dispositivo in genere possono raggiungere temperature molto elevate, fare quindi attenzione a non bruciarsi. Per maneggiare queste parti, usare il guanto allegato alla stufa.
 - Tenere i bambini lontani dalla stufa mentre si usa per evitare che si brucino.
 - Se sorgono problemi (stagione intermedia, camino freddo, ecc.) si può accendere un fuoco di richiamo" con della carta appallottolata, che favorisce l'attivazione della stufa.
 - Nel caso in cui si verifichi del surriscaldamento, chiudere il tiraggio dell'aria per ridurre l'intensità del fuoco.
 - Nel caso in cui ci sia un cattivo funzionamento, chiudere il tiraggio dell'aria e rivolgersi al fabbricante.

MANUTENZIONE

- Conviene pulire periodicamente il cristallo per evitare che i resti di fuliggine lo anneriscano. Esistono in commercio degli strumenti di pulizia appositi. Non usare mai dell'acqua. Non cercare mai di pulire la stufa mentre sta funzionando.
- E' anche importante pulire periodicamente i condotti dei fumi, inoltre, bisogna verificare che non ci siano parti intasate prima di accendere di nuovo la stufa dopo un periodo prolungato d'inattività. All'inizio di ogni stagione è importante che un tecnico professionista esegua una manutenzione dell'impianto.
- In caso d'incendio nel camino, se possibile, chiudere il tiraggio dell'aria e rivolgersi immediatamente alle autorità competenti.
- Qualsiasi pezzo di ricambio che sarà necessario sostituire deve essere raccomandato da noi.

GARANZIA

Questa stufa è un prodotto di elevata qualità, fabbricata con grande perizia. Nel caso in cui, ciò nonostante, si dovesse verificare qualche difetto, deve rivolgersi prima al proprio distributore. Se quest'ultimo non è in grado di risolvere il problema, dovrà mettersi in contatto con noi e, se necessario ci manderà la stufa. La nostra ditta sostituisce gratuitamente qualsiasi pezzo difettoso per due anni dalla data d'acquisto. Le spese di trasporto, tuttavia, verranno sostenute dal cliente.

Dato che questo dispositivo è stato testato da un laboratorio certificato non sono sotto garanzia le seguenti pezzi:

- Vetro - Vermiculite
- Griglia - Maniglie e cerniere

All'interno dell'imballaggio, si trova una scheda di controllo qualità, la preghiamo di farla pervenire al distributore in caso di reclamo.

MISURE E CARATTERISTICHE

- Altezza.....	2.067-2.835 mm	- Potenza termica nominale.....	7,1 kW
- Larghezza.....	700 mm	- Rendimento.....	80,7 %
- Profondità.....	500 mm	- Emissione di CO al 13% di O2.....	0.10 %
- Peso.....	125 Kg	- Tiraggio nel camino per potenza nominale.....	12 Pa
- Portello inserimento legna..	460 x 300 mm	- Portata masica del fumo.....	10.1 g/s
- Corpo in acciaio da 5 mm.		- Temperatura del fumo.....	296 °C
- Diametro scarico fumi.....	150-153 mm	- Distanza minima da materiali infiammabili.....	70 cm
- Vernice anticalore resistente a 800 °C		- Volume di riscaldamento (circa.)	300 m ³
- Cristallo in vetroceramica 750 °C			
- Lunghezza massima tronchi: 50 cm			

 EN 13240: 2001 & A2: 2004	HIJO DE MIGUEL PANADERO P.I. CAMPOLLANO AVENIDA 5ª, 13-15 02007 ALBACETE -SPAIN
	STUFA A LEGNA "CANADA ECO"..... 21 STUFA INDIPENDENTE PER COMBUSTIBILE SOLIDO CERTIFICATE N° EZKA/11/054-3 DICHIARAZIONE DI PRESTAZIONE..... 18810 ORGANISMO NOTIFICATO 0608
Potenza termica nominale.....	7,1 kW
Rendimento.....	80,7 %
Emissione di CO al 13% di O2.....	0.10 %
Temperatura del fumo.....	296 °C
Distanza da materiali infiammabili.....	70 cm
Tipi di combustibile.....	Legna e bricchette

INSTRUKCJA MONTAŻU

ZAWARTOŚĆ OPAKOWANIA:

- 1 palenisko
- 1 okap
- 1 przewód (w 2 częściach)
- 1 torebka: 8 śrubi + 8 nakrętek + 1 klucz

SUGERUJEMY BY MONTAŻ BYŁ WYKONANY PRZEZ DWIE OSOBY ZAOPATRZONE W RĘKAWICE OCHRONNE

1. Otworzyć opakowanie, wyciągnąć okap i umieścić go na podłodze.
2. Umieścić obie części przewodu otworami do góry, tak by kształtem przypominały literę “U”. Czynność tę wykonać na folii z plastiku pęcherzykowatego, w którą owinięte były części lub można skorzystać z kawałka wykładziny lub plastiku. Należy unikać kontaktu części bezpośrednio z podłogą, aby uniknąć zadrapań materiału w trakcie montażu.
3. Umieścić palenisko w miejscu, gdzie piecyk będzie zainstalowany na stałe.
4. Umieścić rurę przewodową przy wylocie spalin i wykonać definitywne połączenie wylotu spalin przy suficie. (Rura przewodowa nie jest dołączona do tego opakowania).
5. Zmierzyć odległość od podłogi do sufitu i od tej odległości odjąć 1,29 m i zanotować wynik. Połączenie 2 części przewodu musi mierzyć tyle, ile zanotowany wcześniej wynik lub milimetr czy dwa mniej (ale nie więcej).
6. Połączyć 2 części przewodu w miejscu, gdzie nie znajdują się wywiercone na dole otwory.

UWAGA: łączenie części należy wykonać ostrożnie, aby nie połączyć ich w miejscu przekraczającym odpowiednią odległość (ponieważ w przeciwnym razie ponowne rozdzielanie i przymocowanie mogłoby zadrapać przewód).



7. Należy włożyć 4 śruby w ostatni otwór dolnego przewodu (tego, który posiada 2 wywiercone otwory) po obu krańcach i mocno przykręcić.
8. Gdy przewód jest już zmontowany należy umieścić go częścią, która posiada dwa wywiercone otwory ku dołowi i przymocować do okapu najpierw 2 śrubami w obu krańcach otworami znajdującymi się z przodu przewodu, mocno przykręcić i następnie użyć pozostałych 2 śrub i przymocować je w dwóch krańcach w otworach w tylnej części przewodu.
9. Następnie dwie osoby powinny ostrożnie umieścić połączenie okapu z przewodem na palenisku, lekko pochylając go do przodu, pod okapem znajduje się metalowe zaczepienie po obu stronach okapu (w części przedniej i tylnej), które służy ukierunkowaniu i wsunięciu okapu w tylną stronę piecyka. Kiedy dotrzemy do metalowych zaczepień znajdujących się z przodu okapu, należy go lekko podnieść tak, aby został dobrze dopasowany.

INSTRUKCJA UŻYTKOWANIA I KONSERWACJI

Zakupili Państwo właśnie produkt firmy Panadero. Oprócz prawidłowego użytkowania, nasze piecyki kominkowe wymagają instalacji ściśle zgodnej z instrukcją. Nasze produkty spełniają europejską normę EN 13240:2001 oraz A2:2004 jednak istotne jest aby Państwo wiedzieli jak właściwie użytkować piecyk zgodnie ze wskazanymi zaleceniami. **Dlatego przed instalacją piecyka kominkowego konieczne jest dokładne przeczytanie tej instrukcji i postępowanie zgodnie z przedstawionymi w niej wytycznymi dotyczącymi użytkowania i konserwacji.**

INSTALACJA

- Instalacja urządzenia musi być zgodna ze wszystkimi przepisami, włączając te odwołujące się do norm krajowych i europejskich.
- Instalacja przewodu powinna być jak najbardziej pionowa, należy unikać zgieć, kątów i odchyień. W przypadku gdy instalacja przewodu uchodzi do komina murowanego, zaleca się wyprowadzenie przewodów aż do zewnętrznego wyjścia komina. Jeśli instalacja realizowana jest tylko przy użyciu przewodów, powinny one mieć przynajmniej 3 metry długości w linii prostej.
- UWAGA! Instalacja tego piecyka powinna być przeprowadzona przez wykwalifikowanego specjalistę. Nie wolno zatkać otworów wentylacyjnych.
- UWAGA! Piecyk kominkowy musi być zainstalowany w pomieszczeniu dobrze wentylowanym.
- Złączenia przewodów powinny być uszczelnione masą ogniotrwałą, aby zapobiec wydostawaniu się sadzy.
- Nie wolno umieszczać piecyka obok łatwopalnych ścian. Piecyk kominkowy należy zainstalować na niepalnej podłodze, gdy nie jest to możliwe należy ustawić go na płycie metalowej, która powinna wystawać na co najmniej 15cm po bokach i 30cm z przodu piecyka.
- Kiedy piecyk kominkowy jest użytkowany należy umieścić z dala od niego wszelkie przedmioty, które mogą się uszkodzić pod wpływem wysokiej temperatury: meble, firany, papier, ubrania, itd. Minimalna bezpieczna odległość przedmiotów łatwopalnych od piecyka wskazana jest na ostatniej stronie tej instrukcji.
- Przy instalacji piecyka kominkowego należy wziąć pod uwagę pozostawienie swobodnego dojścia do niego, aby umożliwić czyszczenie urządzenia, przewodów i komina. Jeśli piecyk ma być zainstalowany przy niepalnej ścianie, radzimy pozostawić odstęp pomiędzy nimi, by ułatwić czynność czyszczenia.
- Tego piecyka kominkowego nie należy podłączać do instalacji kominowej połączonej z innymi urządzeniami.
- Urządzenie powinno być umieszczone na odpowiedniej do tego, wytrzymałej na ciężar posadzce. Jeśli posadzka, która jest aktualnie nie spełnia tych wymagań, należy zastosować odpowiednie środki by te wymagania spełnić.

PALIWO

- Należy używać tylko suchego drewna o stopniu wilgotności nie większym niż 20%.

Drewno o większej wilgotności niż 50% czy 60% nie ogrzewa i słabo się pali, wytwarza dużo smoły, wydziela dużo pary wodnej i powoduje nawarstwianie się osadu na piecyku, szybko i przewodzie kominowym. Jako opału można także używać brykietu ze sprasowanego drewna.

- Należy rozpałać ogień używając specjalnych podpałek, papieru lub małych kawałków drewna. Nie wolno używać w tym celu alkoholu, ani podobnych produktów.
- W piecyku kominkowym nie wolno spalać śmieci domowych, materiałów z plastiku czy produktów zawierających tłuszcze, takich które mogłyby zanieczyścić środowisko i spowodować zagrożenie pożarowe poprzez zatkanie przewodów.

UŻYTKOWANIE

- Podczas kilku pierwszych użyczeń piecyka pojawia się dym, co jest normalnym zjawiskiem jakie towarzyszy wypalaniu się niektórych elementów farby żaroodpornej podczas gdy utrwała się pigment farby piecyka. Ze względu na to, należy dobrze wietrzyć pomieszczenie, w którym znajduje się piecyk, aż do momentu zaprzestania pojawiania się dymu.
- Piecyk kominkowy nie jest przeznaczony do działania przy otwartych drzwiczkach.
- Urządzenie jest skonstruowane by działać w sposób nieciągły z przerwą na doładowanie opału.
- Aby rozpałać ogień zaleca się stosowanie papieru, specjalnych podpałek czy małych kawałków drewna. Gdy ogień zaczyna się palić, jako pierwsze należy dodać dwa polana drewna, z których każdy powinien ważyć około 3kg – 3,2kg. Podczas rozpalania ognia, wywietrzniki powietrza powinny być całkowicie otwarte. Można też otworzyć popielnik, jeśli jest taka potrzeba. Gdy ogień już się rozpała, należy zamknąć popielnik (jeśli był otwarty), siłę ognia reguluje się poprzez zamykanie i otwieranie wywietrzników powietrza.
- Aby otrzymać nominalną moc ciepła, należy umieścić w piecyku 3,5 kg drewna (około trzy polana kilogramowych) w odstępach jednogodzinnych. Polana powinny być umieszczone poziomo i oddzielone od siebie, aby umożliwić właściwe palenie się. Nie należy uzupełniać opału piecyka dopóki uprzednio załadowane polana się nie spalą pozostawiając tylko żar, co jest wystarczające do rozpalenia dokładanych polan.
- Aby uzyskać powolne spalanie się drewna, należy regulować ogień poprzez wywietrzniki powietrza, które nigdy nie mogą być zapchane, aby umożliwić dopływ powietrza niezbędny do procesu spalania.
- Po pierwszym rozpaleniu ognia, elementy z mosiądzu mogą przybrać miedziany kolor.
- Z czasem uszczelka przy szybce od drzwiczek stopi się. Pomimo tego, że piecyk może funkcjonować bez niej, zaleca się jej sezonową wymianę.
- Popielnik można wyciągać z piecyka kominkowego aby usunąć popiół. Należy regularnie opróżniać popielnik z popiołu, aby uniknąć uszkodzeń rusztu żeliwnego. Zaleca się ostrożność w opróżnianiu popielnika, jako że może być on gorący aż do 24 godzin po tym jak piecyk był używany.
- Nie wolno gwałtownie otwierać drzwiczek piecyka aby uniknąć nagłego wydostania się dymu. Nigdy nie można otwierać drzwiczek przy zamkniętych wywietrznikach powietrza. Należy otwierać drzwiczki tylko w celu dołożenia brakującego opału.

- Szybka, elementy z mosiądzu i cały piecyk mogą osiągnąć bardzo wysoką temperaturę, należy uważać na ryzyko oparzenia i nie dotykać tych elementów bez dołączonych do piecyka rękawic. Należy trzymać dzieci z dala od piecyka, kiedy jest użytkowany, aby uniknąć poparzeń.
- Jeśli występują problemy z rozpaleniem drewna w piecyku (np. z powodu bardzo niskich temperatur powietrza), można użyć jako rozpałki złożonego lub zmiętego papieru, co znacznie ułatwia rozniecenie ognia.
- W przypadku zbytniego rozgrzania się piecyka kominkowego, należy zamknąć wywietrzniki powietrza.
- W przypadku złego funkcjonowania piecyka kominkowego, należy zamknąć wywietrzniki powietrza i skonsultować się z producentem.

KONSERWACJA URZĄDZENIA

- Zaleca się okresowe czyszczenie szybki od drzewiczek, aby uniknąć ich zabrudzenia przez sadzę. W sprzedaży dostępne są specjalne środki czyszczące. Nie należy w tym celu używać wody, ani też czyścić szybki w trakcie użytkowania piecyka.
- Ważne jest także by okresowo czyścić otwór wylotowy przewodu piecyka i sprawdzać przed użyciem czy nie jest zablokowany, po dłuższym okresie nie użytkowania urządzenia. Wraz z rozpoczęciem każdego sezonu grzewczego, specjalista powinien przeprowadzić przegląd piecyka.
- W przypadku pożaru komina, jeśli jest to możliwe, należy zamknąć wywietrzniki powietrza i skontaktować się ze strażą pożarną.
- Wszelkie części zamienne muszą być rekomendowane przez naszą firmę.

GWARANCJA

Zakupili Państwo wysokiej jakości piecyk kominkowy, produkowany z wielką starannością. Jeśli, mimo tego, produkt posiadałby wadę, należy skontaktować się z dystrybutorem. W przypadku, gdy nie jest możliwe rozwiązanie problemu przez niego, dystrybutor skontaktuje się z nami i, jeśli jest to konieczne, prześle nam piecyk. Nasza firma darmowo wymieni każdą wadliwą część piecyka przez dwa lata od daty zakupu. Koszty transportu jednakże pokryta klient.


Ten model był testowany przez laboratorium upowaznione do przeprowadzania badan na homologacje i dlatego gwarancja nie obejmuje następujących czesci:

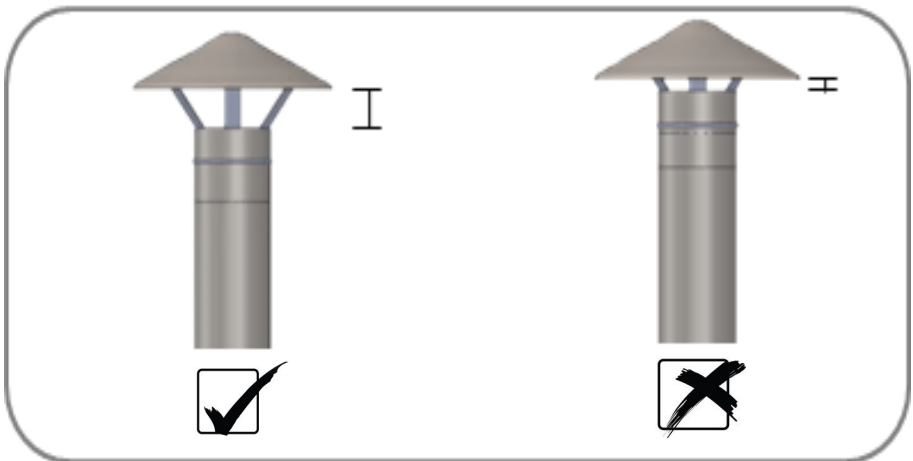
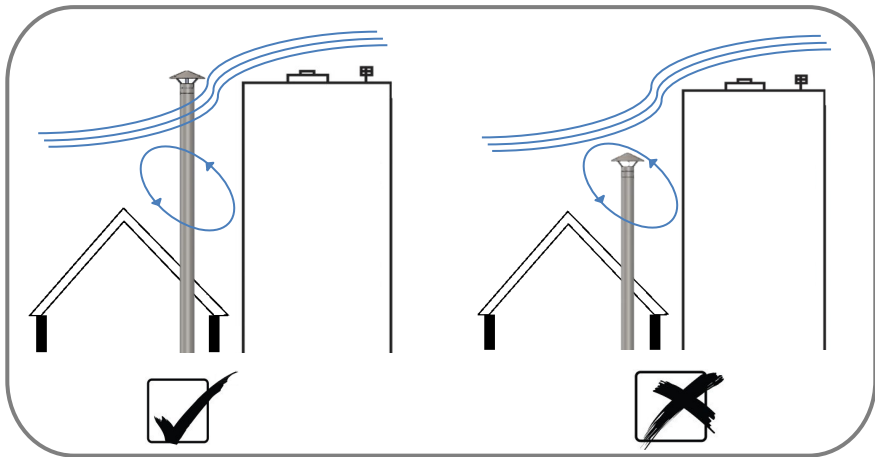
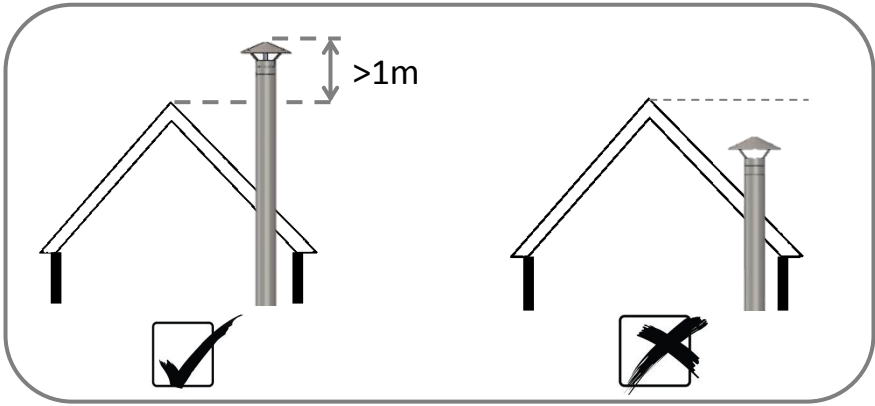
- szyby
- rusztu zeliwnego
- wermikulitu
- okuc

W środku kartonu znajdują Państwo kartę kontroli jakości. Prosimy o przesłanie jej do dystrybutora w przypadku składania reklamacji.

WYMIARY I CHARAKTERYSTYKA

- Wysokość.....	2.067-2.835 mm	- Nominalna moc ciepła.....	7,1 kW
- Szerokość	700 mm	- Efektywność energetyczna.....	80,7 %
- Głębokość.....	500 mm	- Emisja tlenku węgla.....	0.10 %
- Masa.....	125 Kg	- Ciąg kominowy.....	12 Pa
- Drzwiczki.....	460x300 mm	- Strumień masy spalin.....	10.1 g/s
- Grubość obudow 5 mm.		- Temperatura spalin.....	296 °C
- Wylot spalin tyłem, średnica.....	150-153 mm	- Odstęp od części palnych	70 cm
- Farba żaroodporna do 800 °C		- Średnia ogrzewana	
- Szyba szklanoceramiczna 750 °C		powierzchnia	300 m ³
- Długość polan do 50 cm			

 EN 13240: 2001 & A2: 2004	MISJÓ DE MICHUELA PANADERO P.I. CAMPOLLANO AVENIDA 5ª, 13-15 02007 ALBACETE -SPAIN
	“CANADA ECO” PIECYK KOMINKOWY.....21 WOLNOSTOJĄCY OGRZEWAJĄCY POMIESZCZEŃ NA PALIWO STAŁE CERTIFICATE N° EZKA/11/054-3 LEISTUNGSERKLÄRUNG..... 18810 NOTIFIZIERTEN STELLE 0608
Nominalna moc cieplna.....	7,1 kW
Efektywność energetyczna.....	80,7 %
Emisja CO w produktach spalania.....	0.10 %
Temperatura dymu w przewodzie.....	296 °C
Odstęp od części palnych.....	70 cm
Paliwo.....	Drewno oraz brykiet drzewny



HOW TO OPERATE YOUR WOOD STOVE EFFICIENTLY



ACCENSIONE E FUNZIONAMENTO DI UNA STUFA ECODESIGN



ALLUMAGE ET FONCTIONNEMENT D'UN POËLE ECODESIGN



ZÜNDUG UND BETRIEB EINES ECODESIGN-KAMINOFENS



ENCENDIDO Y FUNCIONAMIENTO DE UNA ESTUFA ECODESIGN



ZAPLON I DZIAŁANIE PIECA NA DREWNO



WERKING VAN EEN ECODESIGN KACHEL



ZAPLENÍ A SPRVNE FUNGOVANÍ KAMEN ECODESIGN



LUMINAÇÃO E FUNCIONAMENTO DE UMA SALAMANDRA A LENHA



FATUZELESU KALYHA MEGVILAGITASA ES MUKODTETESE



TÜVRheinland®
CERT
ISO 9001

HIJO DE MIGUEL
PANADERO

P. I. CAMPOLLANO
AVENIDA 5º, 13-15
02007 ALBACETE - SPAIN
Telf.: (+34) 967 59 24 00
Fax: (+34) 967 59 24 10
panadero@panadero.com