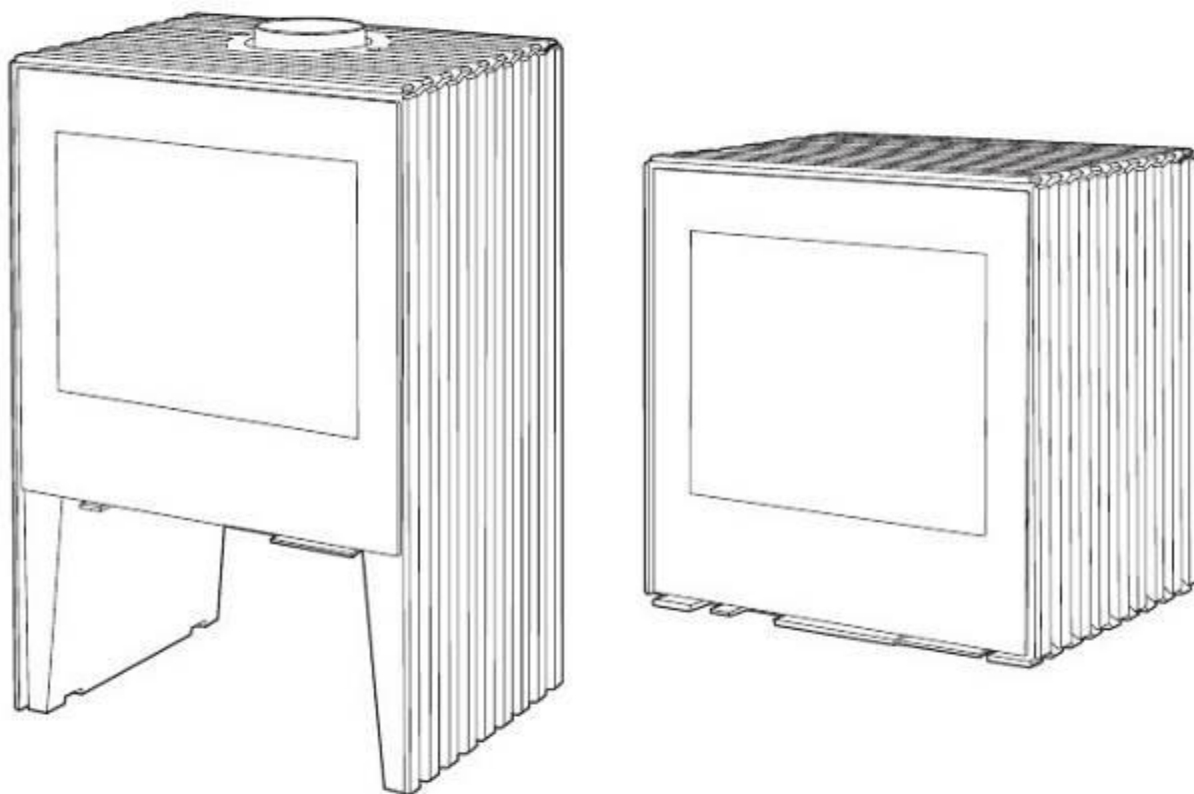


hergom

GLANCE



INSTRUCCIONES PARA INSTALACIÓN, USO Y MANTENIMIENTO.
ISTRUZIONI PER L'INSTALLAZIONE, L'USO E LA MANUTENZIONE
INSTALLATION, USE AND MAINTENANCE INSTRUCTIONS.
INSTRUCTIONS D'INSTALLATION, DE SERVICE ET D'ENTRETIEN
INSTRUCÇÕES PARA A INSTALAÇÃO, UTILIZAÇÃO E MANUTENÇÃO.

WELCOME to the HERGÓM family.

We would like to thank you for choosing our Glance Stove, which represents, in technique and style, a significant improvement on typical wood stoves.

Your new Stove is, perhaps, the most advanced solid fuel heating system known today. Owning a HERGOM Stove displays an exceptional sense of quality.

Please read this manual in full. Its purpose is to familiarise users with the device by explaining extremely useful installation, operational and maintenance instructions. Keep this manual at hand for future reference whenever necessary.

If, after reading this manual, you should require any further clarification, please consult your regular dealer.

INDUSTRIAS HERGÓM, S.A. may not be held liable for any damages caused by alterations in its products that have not been authorised in writing, or for defective installation work.

Furthermore, it reserves the right to change its products without prior warning.

Industrias Hergóm, S.A. domiciled in Soto de la Marina (Cantabria) - Spain, offers a TWO YEAR warranty on its products.

The geographical coverage of the said warranty only includes the countries in which Industrias Hergom, SA, a subsidiary company or an official importer distribute its products and where Community Directive 1999/44/CE is in force.

The warranty comes into force on the purchase date of the product as indicated on the warranty document and only covers damage or breakages due to manufacturing defects.

IMPORTANT NOTE

If the device is not installed correctly, it will not provide the excellent service for which it has been designed. Please, read these instructions in full and trust the work to a specialist.

The surface of your device is protected by a coat of special anti-heat paint that resists high temperatures. When lighting the fireplace for the first few times, the said paint may emit some fumes. This is normal and is due to the evaporation of certain components of the paint while it adapts to the heat. We, therefore, recommend ventilating the room until this phenomenon ceases to appear.

1 - INTRODUCTION

IMPORTANT! All local regulations, including those that refer to national or European regulations, must be applied when installing this device.

The way the Glance Stove is installed will decisively affect safety issues and its correct operation.

It is important to install the fireplace correctly.

For the correct installation of the Glance Stove and chimney, we recommend the installation be performed by a professional.

The Glance Stove provides heat by radiation; directly heating walls, ceilings...

Glance wood stove has the following main features:

- Made of cast iron, with parts that are assembled, sealed and screwed together.
- Combustion chamber lined with vermiculite.
- They are designed for use with firewood only.
- They can burn pieces of wood up to 40 cm length.
- Primary air adjustment valve.
- Self-cleaning glass.
- Hinged front door opening 95° with ceramic glass pane.
- Sealed ash-pan and grill.
- Vertical or horizontal top smoke flue.
- This fireplace provides heat by radiation; directly heating walls, ceilings...
- Fully factory assembled, ready for connection to the chimney.

2 - PRESENTATION



FIG. 1



FIG. 2

3 - USING THE STOVE

Once your stove has been installed and connected to the chimney, you are ready to light the fire. Although your stove is easy to use, the combustion process of solid fuels is complicated, as it involves several factors and it takes time and experience to understand the process.

Before lighting your stove for the first time, please take time to become familiar with the different control systems and parts of the unit, how to choose the wood, how to light it and use it on a daily basis.

ALWAYS KEEP IN MIND that the stove generates heat and, therefore, keep children, clothing, furniture... at a distance to prevent burns from direct contact with the appliance.

Below, we have included some advice on your stove and on its use. Please read with care.

Door mechanism

To open the door, hold the handle and pull gently towards you. You must use the supplied glove. The door can open up to 95°

To close the door, grasp the handle and gently push the door to the stove. You must use the supplied glove. (Fig. 3).

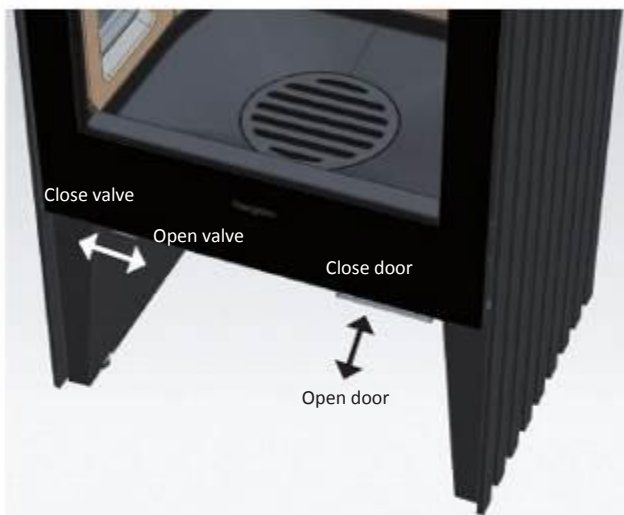


FIG. 3

Adjustment - Glass Cleaning Valve

Fully open the glass pane cleaning air valve when lighting the stove.

Once an ideal combustion rate has been achieved, adjust the valve to prevent excessive air intake, which will cause excessive combustion levels and temperatures.

The intermediate position is usually the ideal adjustment, depending on the quality of the draw of the chimney installed and on the type of fuel being used (hard or soft wood) (Fig. 3).

Ash pan

Very important!

Only handle the ash pan when the stove is cold.

To clean the ash, lift the blind grill located at the bottom of the stove.

Use a tool (brush) to sweep the ash into the ash-pan.

The ash-pan is located in the front of the stove (Fig. 4).

To remove the ash-pan from its position, pull the handle firmly (Fig. 5). Once you have emptied the ash, replace the ash-pan and push it into his place again.

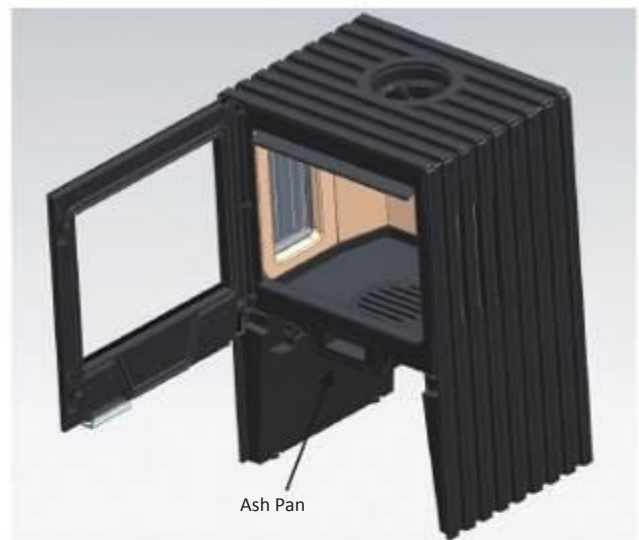


FIG. 4

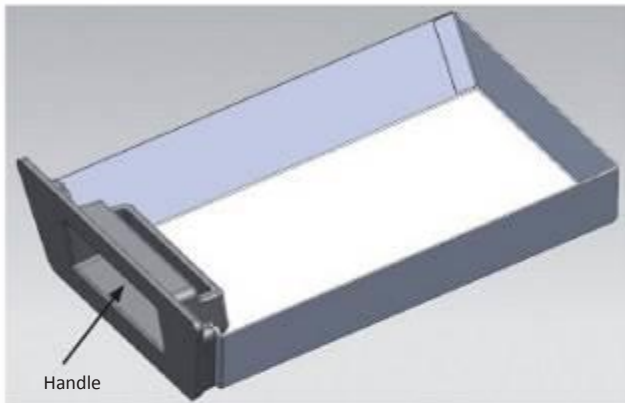


FIG. 5

4 - LIGHTING AND USE

Important at first start: may come off a few drops of condensed water from the stove, produced by the humidity of the environment where the stove was stored.

It is very important that the first time the heater is lit, it is done so slowly.

This is for the following reasons:

- Stabilise cast iron parts.
- Harden the joint sealant putty.

Advise:

- We recommend that the first loads of fuel be small.
- To generate draw, heat the chimney by introducing some burning paper in the gap between the front and the deflector, directing it toward the chimney.
- While lighting for the first time, ensure the room where the heater is located is well ventilated as the paint work may let off some fumes.
- Keep the stove on for a few hours at this intensity.
- **IMPORTANT! The total height of the fire load should not exceed 50% of the height of the combustion chamber.**
- **The heater must be closed at all times during combustion to prevent smoke from leaking out. Only open to add fuel.**
- **When the stove is running, opening operations must be performed slowly to avoid smoke exit and an accidental burn.**
- **The glasses are ceramics to radiate the maximum heat. They can reach high**

temperatures.

Daily use

After lighting up for the first time, your heater will be ready for daily use.

Your heat requirements will be obtained based on the frequency and the amount of firewood you load.

When your heater is cold, we recommend lighting it up slowly.

Overheating.

Overheating means that you have operated your heater at a excessively high temperatures for a long period of time. This can damage your appliance and, therefore, it is a situation that must be avoided.

Overheating is the result of excessive draw, due to any of the following reasons:

- The Primary Air Valve is excessively open for the type of wood being used.
- The chimney is too high.
- Improper maintenance of the stove, which may result in air infiltration.
- Inappropriate fuel that produces high temperatures.
- Door not closed correctly.

ATTENTION!

Any uncontrolled intake of air produces overheating that can damage the stove.

5 - CLEANING & MAINTENANCE

Your heater is a device that is subjected to extreme temperatures and to the corrosive effects of combustion residual materials. Regular maintenance is essential for a longer life and improved user experience. We recommend performing the following inspections frequently.

DURING THE SEASON

- Perform a visual inspection of the chimney.
Clean soot and tar if they have begun to accumulate on the inner walls of the heater.
- Check whether the doors close tightly; adjust if necessary.

AT THE END OF THE SEASON

- Inspect and clean the chimney.
- Use the vacuum cleaner to clean inside the heater and inspect it.
- Any soot and tar (creosote) that has accumulated on the walls of the heater will hinder performance.
- Inspect door seals. These should be replaced when they no longer seal the door perfectly.
- In the case of painted heaters, paint the cast iron parts again if necessary. Use heat resistant paint for this task.

CLEANING

Cleaning should always be performed when the heater is cold.

Cleaning ash.

These heaters are equipped with an ash pan located at the bottom of the heater.

Remove the ash pan and remove the ash.

Ash should be emptied into a metal container and immediately removed from the house.

If necessary clean the ash pan housing.

Painted parts

Clean with a dry cloth to avoid rust.

Chimney and connecting unit

Read the chapter in the Manual for Installers that refers to this topic.

DOOR PANES

Cleaning

Fireplace window cleaning liquids are quite effective products.

Never try to clean the glass while the fireplace is working.

We recommend using HERGOM window cleaning products for their proven efficacy.

If the glass pane on the fireplace door is constantly covered in soot, this means your fire is "poor" and that the connecting pipe and chimney are being blocked by soot and creosote.

Replacing.

The glass panes in your heater have been especially manufactured for log stoves.

If they should break, they must be replaced by another glass pane with the same technical specifications. Contact our Distributor to provide you with the appropriate glass pane, together with instructions to assemble and seal.

MAINTENANCE PRODUCTS

Industrias HERGÓM, S.A. places a range of products for the preservation of your heater and chimney at your disposal: heat resistant paint, refractory putty, anti-soot products, fire-lighters, glass cleaning products.

6 - SAFETY

WARNING!

Gas/log/pellet units get hot when in use.

Consequently, owners must act with precaution and keep at a distance. Especially keep children, the elderly and other people who require special supervision, as well as pets, away from the fireplace when it is in use.

Make sure that children or other people who are not familiar with how the device works are supervised by responsible people when they are near the fireplace.

In order to prevent burns or children or other people from coming near the appliance, use a fire grille or screen.

A number of possible risks are present when operating your solid fuel stove with fuel of any brand. The said risks can be minimised if the instructions and recommendations included in this manual are followed.

- When installing the stove, observe the necessary safety distances for the oven and chimney from combustible surfaces (wooden or papered walls, wooden floors...). Safety distances must be respected when the lining on walls or nearby areas may be damaged or deformed by temperature (varnish, paint, PVC...). Fig. 6
- The base where you are going to install your heater must be flat and provide a perfect seat. The said base must also be capable of supporting the weight of the heater. The base must be built using heat resistant materials.
- All the area around the heater should must be heat resistant. If not, they must be protected by fire-proof material.
- Ash should be emptied into a metal container and immediately removed from the house.
- Do not use flammable liquids to light the stove. Keep any type of flammable liquid (petrol, gasoline, alcohol,...) at a distance from the fireplace.
- Never use coal or fuels that are not recommended for the operation of this product.
- Periodically inspect the chimney and clean

whenever necessary. Also inspect the state of joints, glass, screws...

- Protect your hands with a glove or other insulating material because, during operation, the opening and closing handle will be hot.

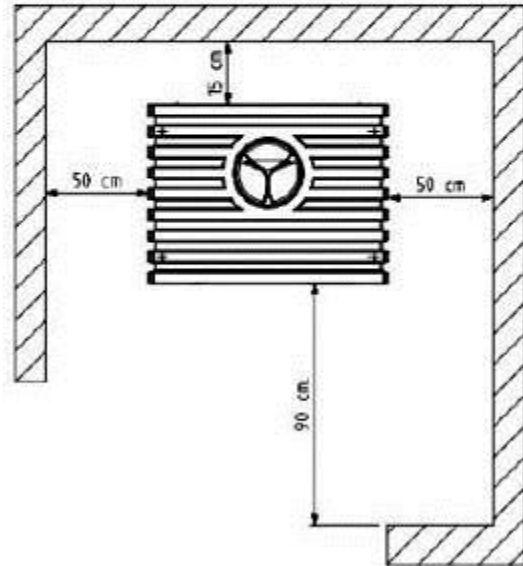
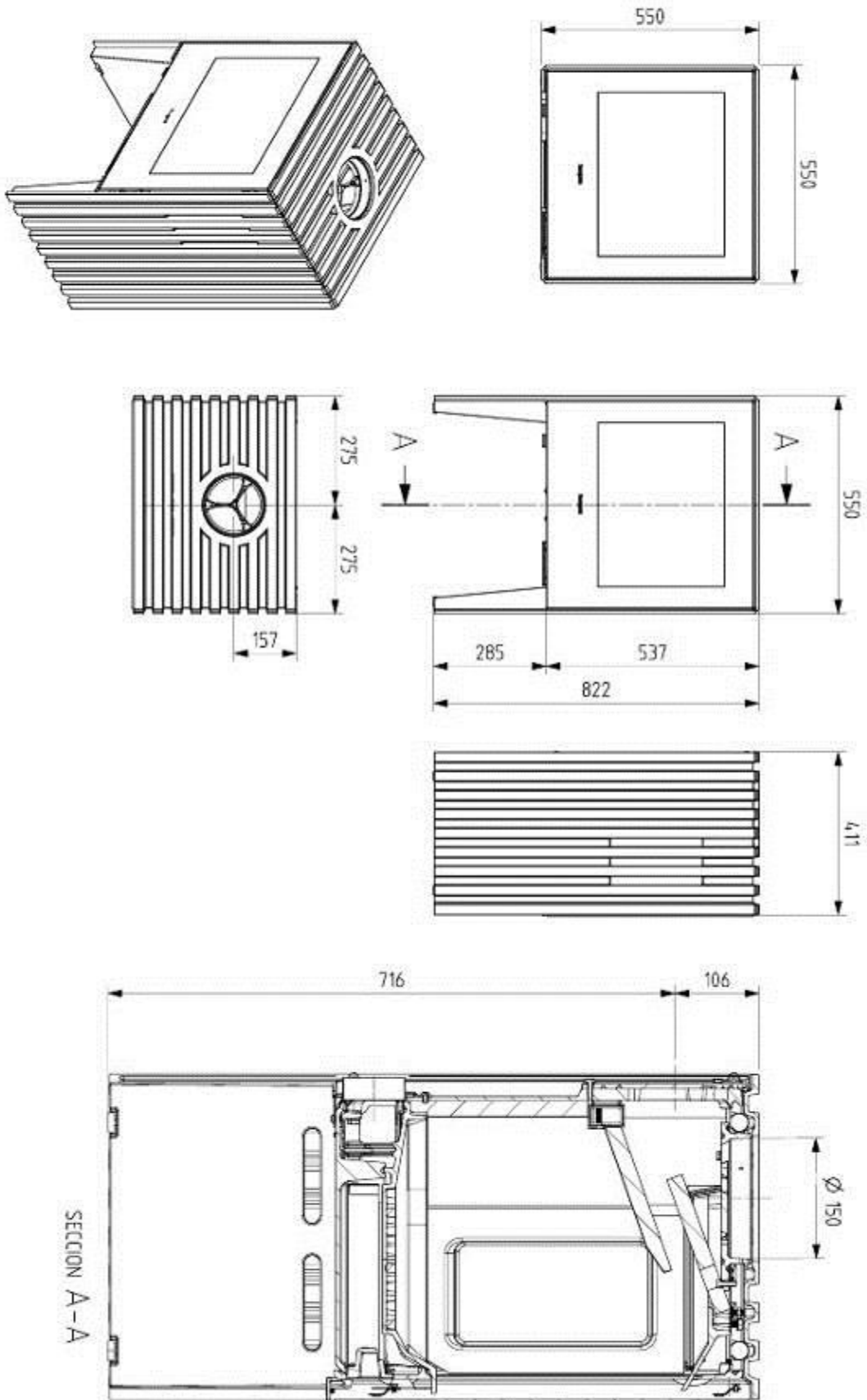


FIG. 6 - SAFETY DISTANCES

7 - DIMENSIONES - DIMENSIONI - MEASURES - DIMENSIONS - DIMENSÕES



8 - DATOS TECNICOS - DATI TECNICI - TECH SPEC. - DONNÉES TECH. - DADOS TÉCNICOS

| | GLANCE M |
|------------------------------------------------------------------------------------------------------------------------------------------------------------------------------------------------------------------------------------------------------------------------------------------------------------|-------------------------------------------|
| Potencia nominal / Potenza nominale / Nominal power / Puissance nominale / Potência nominal (kW) | 7 |
| Temperatura de los gases medio / Temperatura media gas / Average smoke temperature / Température des gaz moyenne / Temperatura média dos gases (°C) | 270 |
| Temperatura media en collarín de salida / Temperatura media attacco scarico fumi / Average temperature at flue ring / Température moyenne sur buse de sortie / Temperatura média em anel de saída (°C) | 324 |
| Caudal máscico de los humos / Portata massima fumi / Mass flow rate of smoke / Débit massique des fumées / Caudal mássico dos fumos (gr/sec) | 6,7 |
| Emissiones CO / Emissioni CO / CO emissions / Émissions CO / Emissões CO (13% O2 Vol%) | 0,07 |
| Rendimiento / Rendimento / Efficiency / Rendement / Rendimento (%) | 80 |
| Admite troncos de leña de longitud / Lunghezza max legna / Accepts logs of the following length / Admet des bûches de longueur / Admite troncos de lenha de comprimento (mm) | 400 |
| Collarín de humos / Attacco scarico fumi / Smoke collar / Buse de fumées Anel de fumos (Ø) | 150 |
| Chimenea metálica / Canna fumaria metallica / Metal chimney / Cheminée métallique / Chaminé metálica (Ø) | 150 |
| Altura recomendada de chimenea / Altezza consigliata canna fumaria / Recommended chimney height / Hauteur de cheminée recommandée / Altura recomendada de chaminé (m) | 5-6 |
| Chimenea de albañilería mín. aprox. / Canna fumaria in muratura min. circa / Masonry chimney, min approx. / Cheminée en maçonnerie min. approx. / Chaminé de alvenaria mín. aprox. (mm) | 200x200 |
| Tiro recomendado / Tiraggio consigliato / Recommended draw / Tirage recommandé / Tiragem recomendada (Pa) | 15 |
| Salida de humos / Scarico fumi / Smoke outlet / Sortie de fumées / Saída de fumos | |
| Peso / Peso / Weight / Poids / Peso (Kg) | |
| Entrada aire exterior / Entrata aria esterna / Outside air inlet / Entrée d'air extérieur / entrada ar exterior (Ø mm) | Vertical/Horizontal |
| | 160 |
| | 80 |
| Diámetro mínimo de tubo de conexión entrada aire exterior / Diametro minimo del tubo di connessione entrata aria esterna / Minimum diameter of the outside air inlet pipe / Diamètre minimum du tuyau de connexion entrée d'air extérieur / Diâmetro mínimo do tubo de ligação entrada ar exterior (Ø mm) | 80 |
| Longitud máxima de tubo de conexión entrada aire exterior / Lunghezza massima del tubo di connessione entrata aria esterna / Maximum length of the outside air inlet pipe from outside / Longueur maximum tuyau de connexion entrée d'air extérieur / Comprimento máximo de tubo de ligação entrada ar (m) | Para distancias mayores de 8m. CONSULTAR. |

Stove approved based on the specifications provided in UNE-EN 13240:2002 “Room heaters fired by solid fuel - Requirements and test methods”, as amended by UNE-EN 13240/AC and UNE-EN 13240:2002/A2.

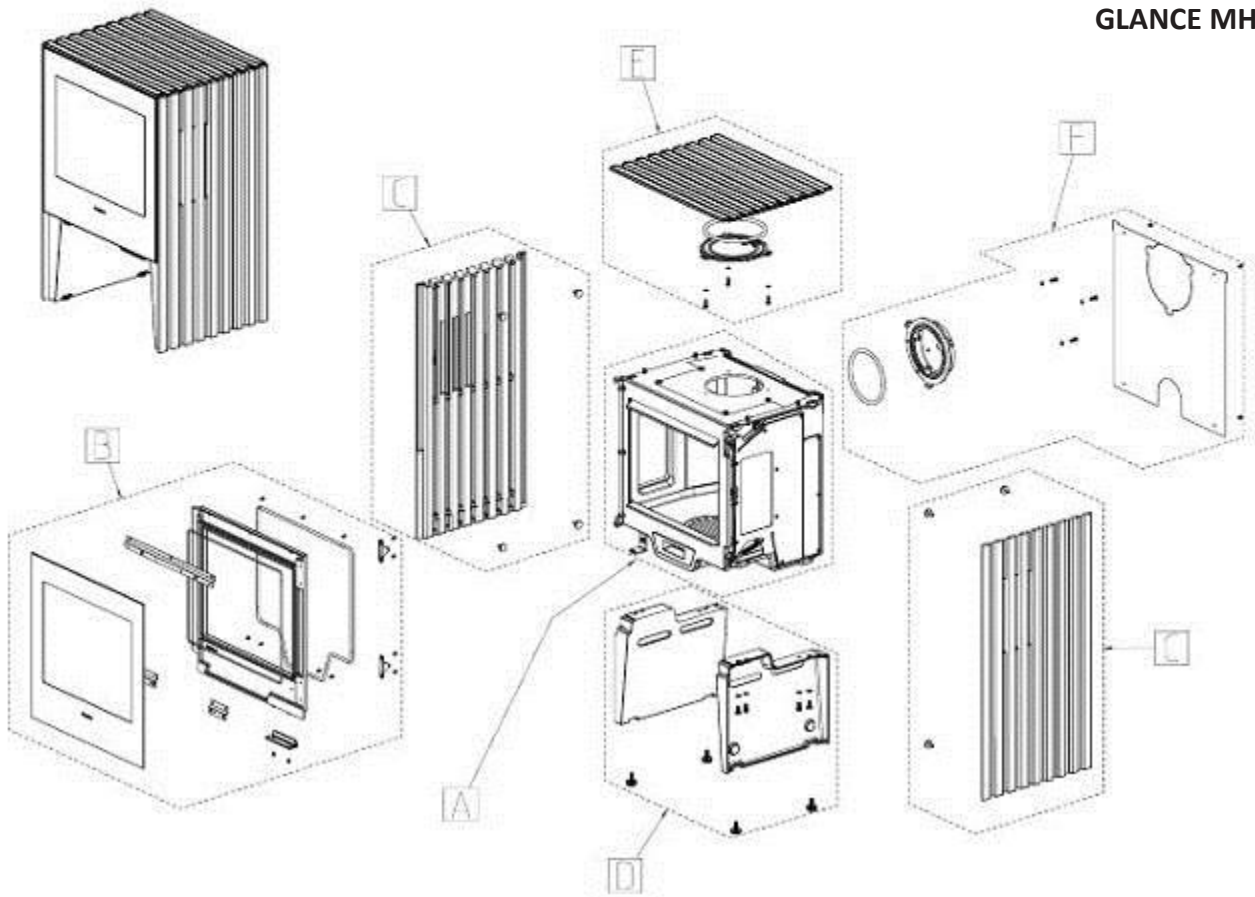
ATTENTION! Your heater should not be used as an incinerator and no other types of fuel should be used (plastic, chipboard...). Use recommended materials only.

Do not use wood washed ashore from the sea as fuel. The salt contained in it will react in the combustion process and release acid that will damage the iron and steel.

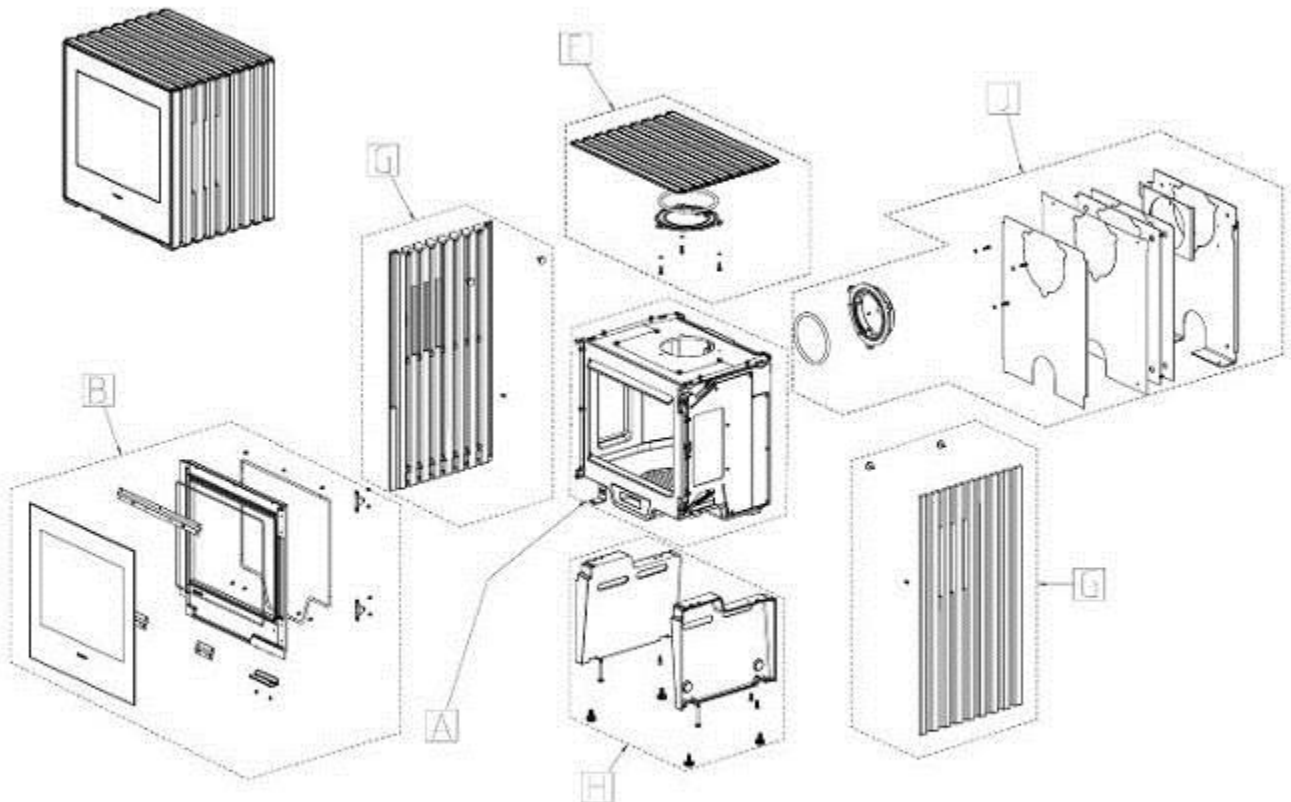
INDUSTRIAS HERGÓM, S.A., rejects any liability derived from a faulty installation or incorrect use and reserves the right to alter its products without prior warning.

Any liability due to manufacturing defects will be subject to the criteria and verification of the company's experts and will be limited to the repair or replacement of its products, excluding any construction work or damage the said repairs may cause.

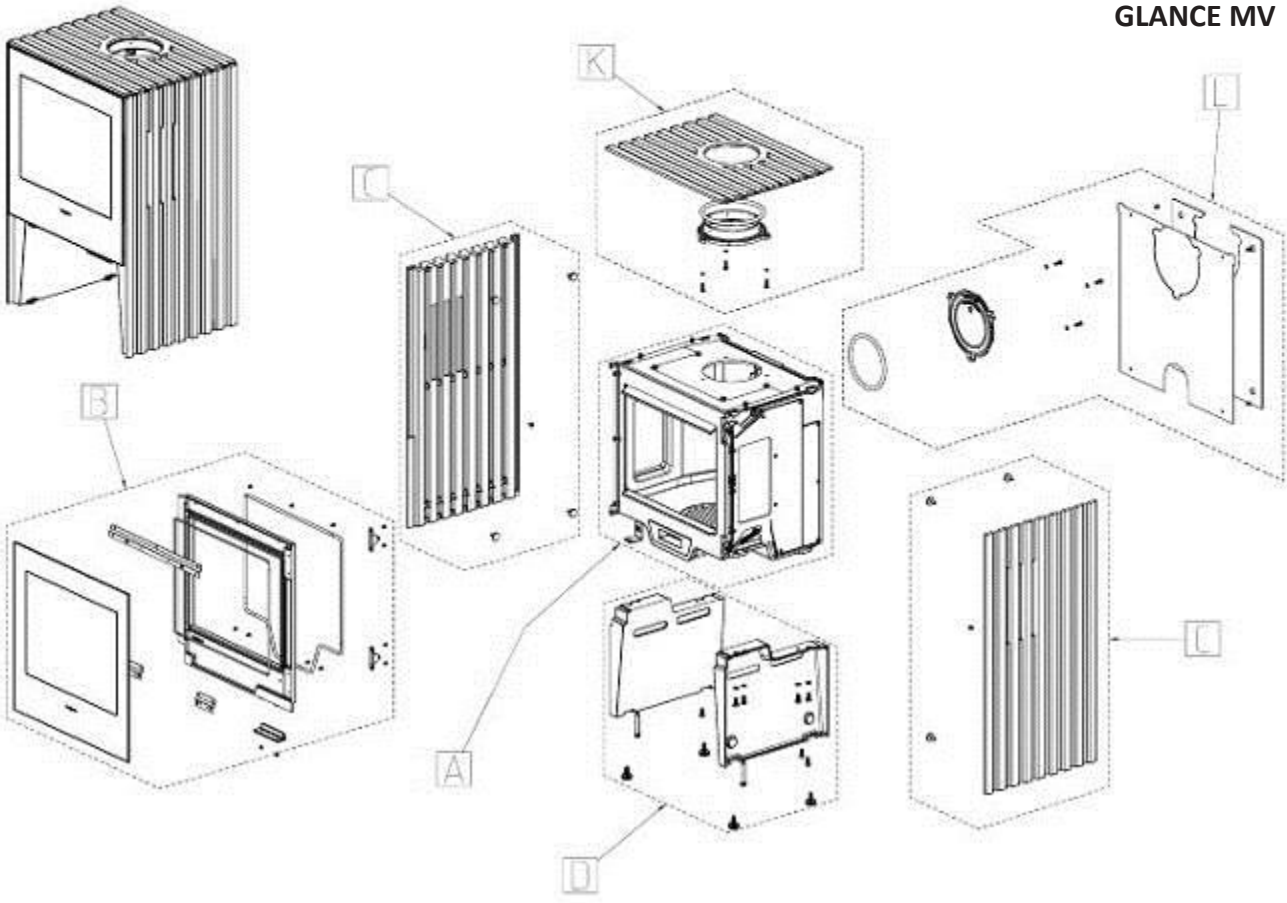
GLANCE MH



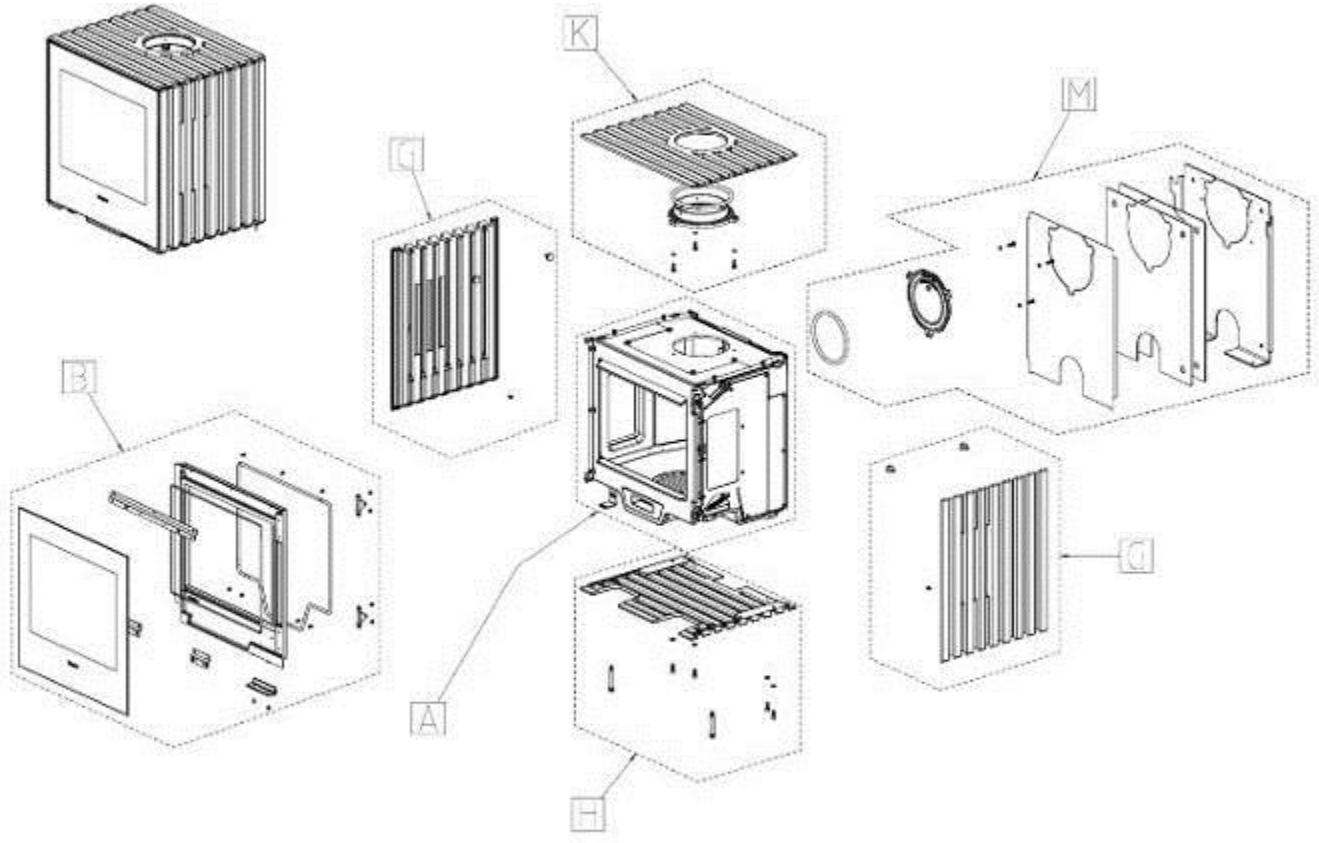
GLANCE MHP



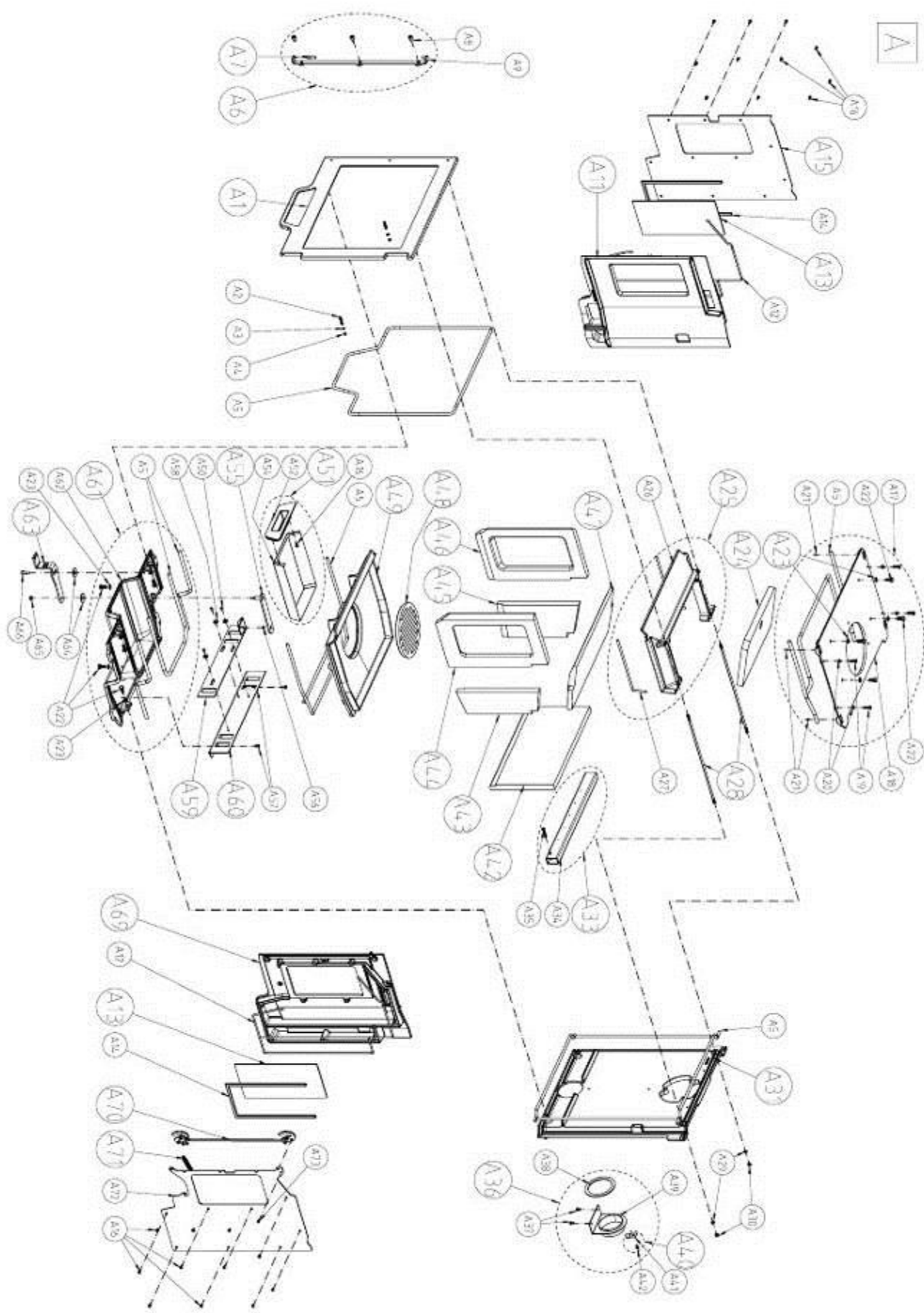
GLANCE MV

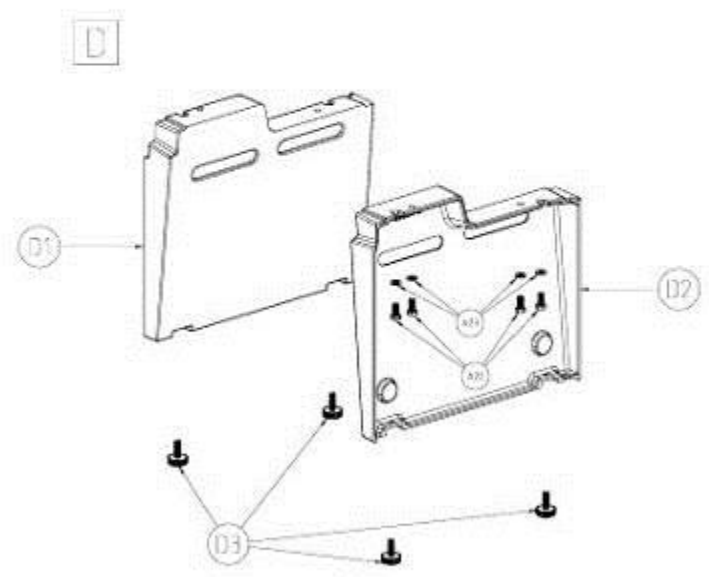
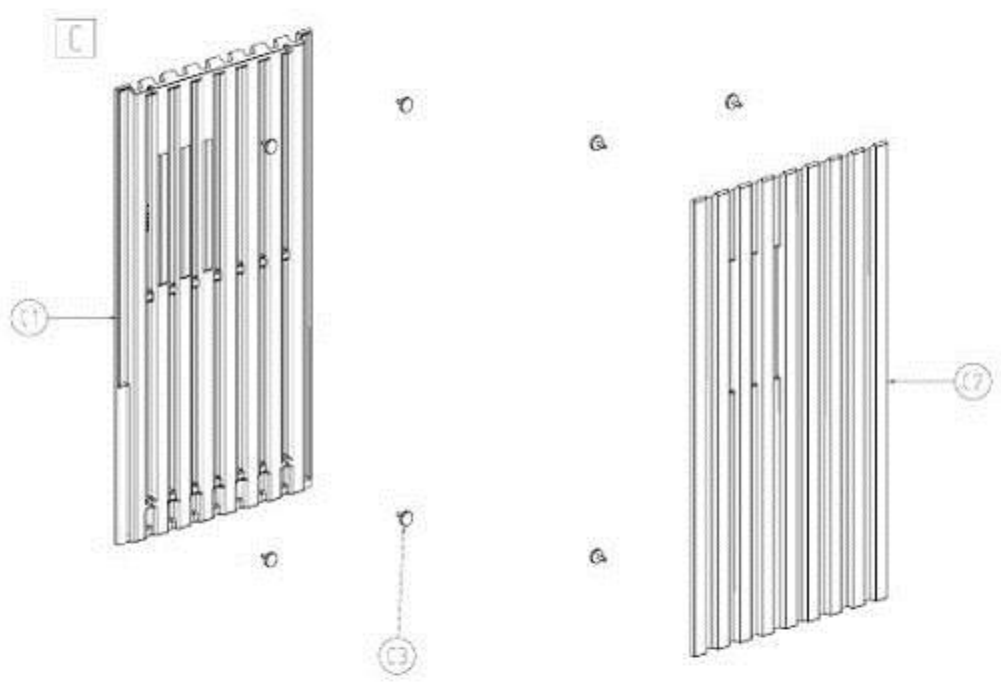
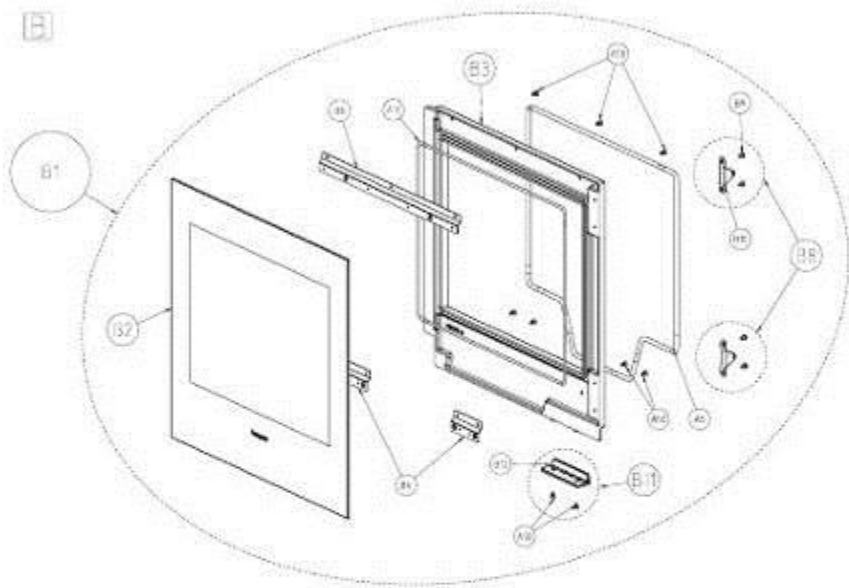


GLANCE MVP

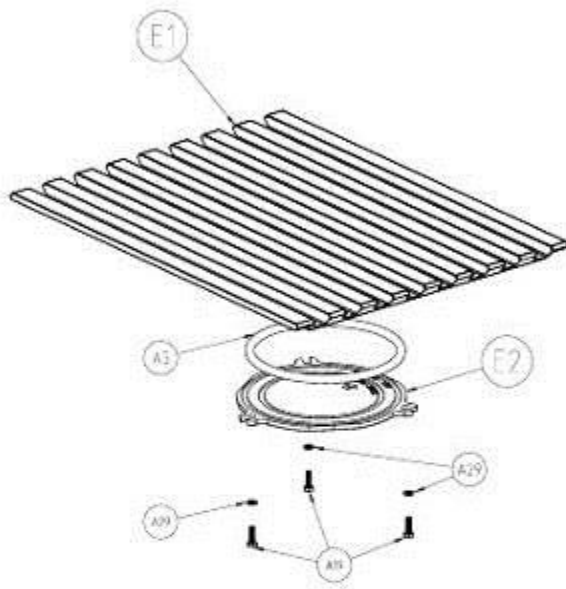


A

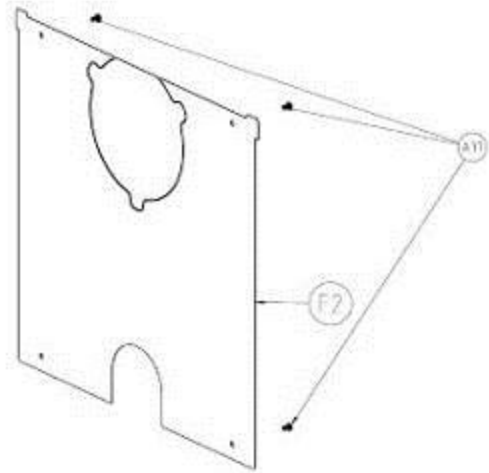
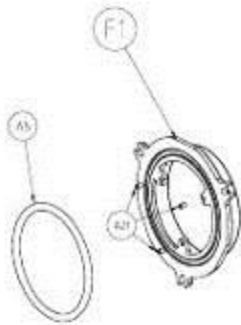




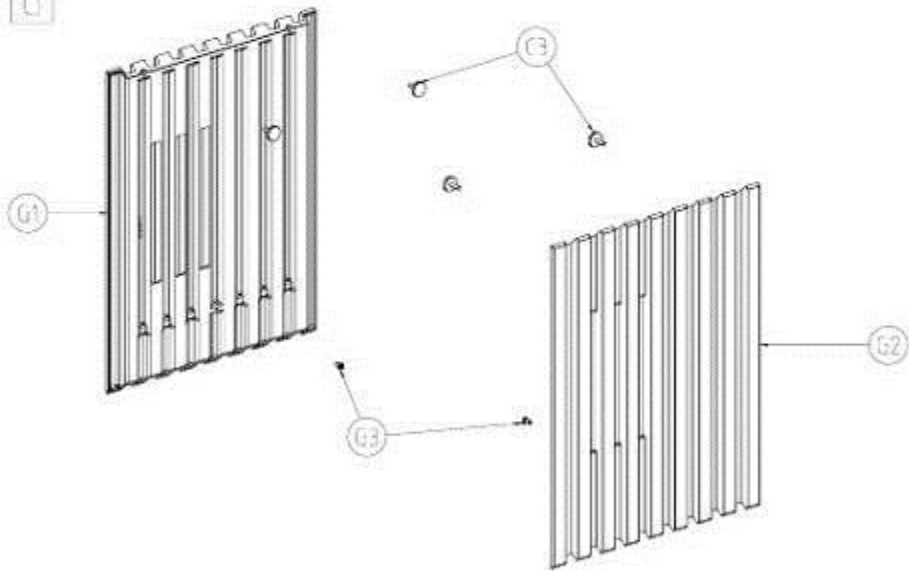
E



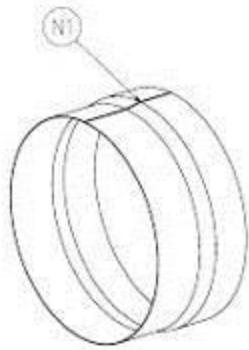
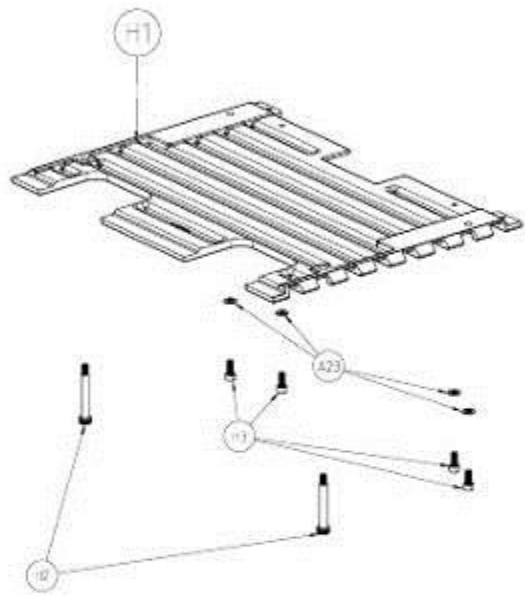
F



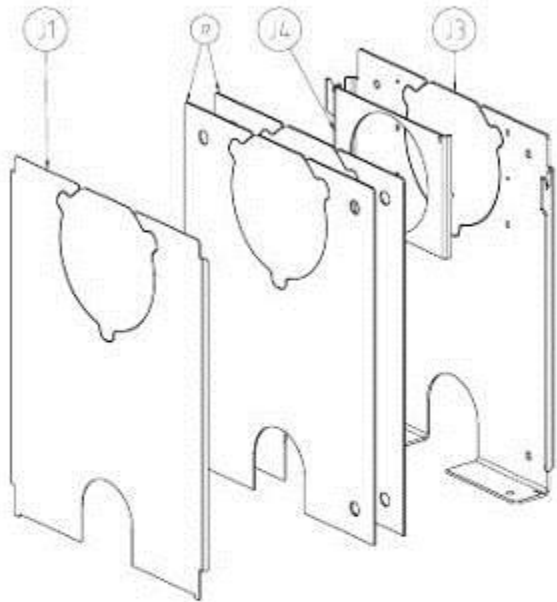
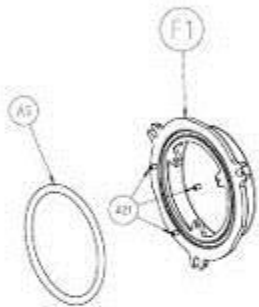
G



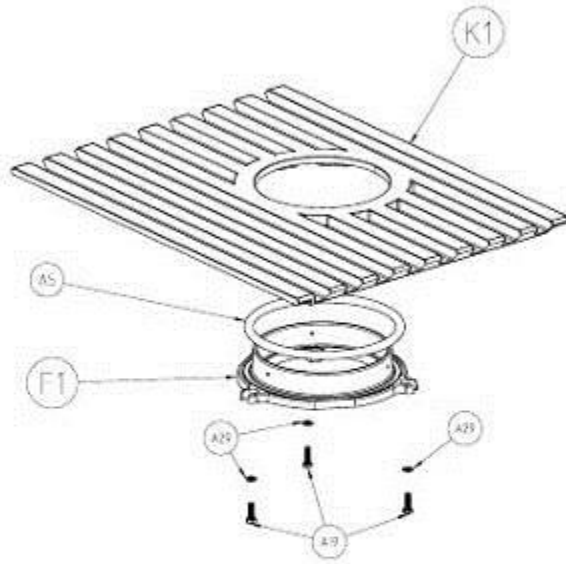
H



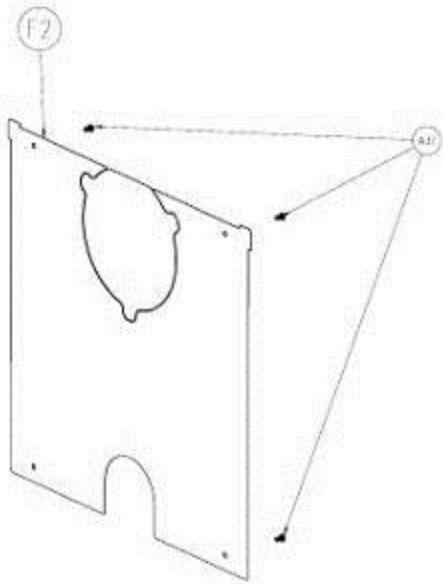
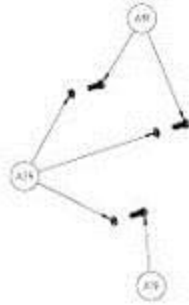
J



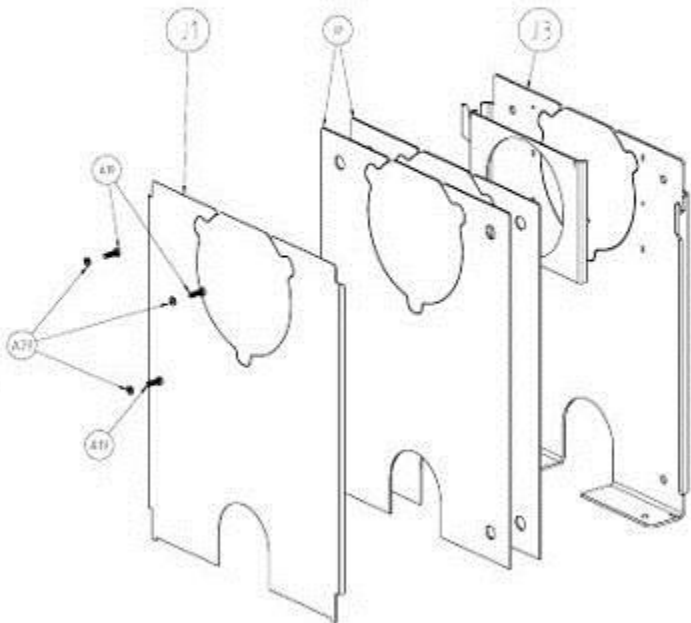
K



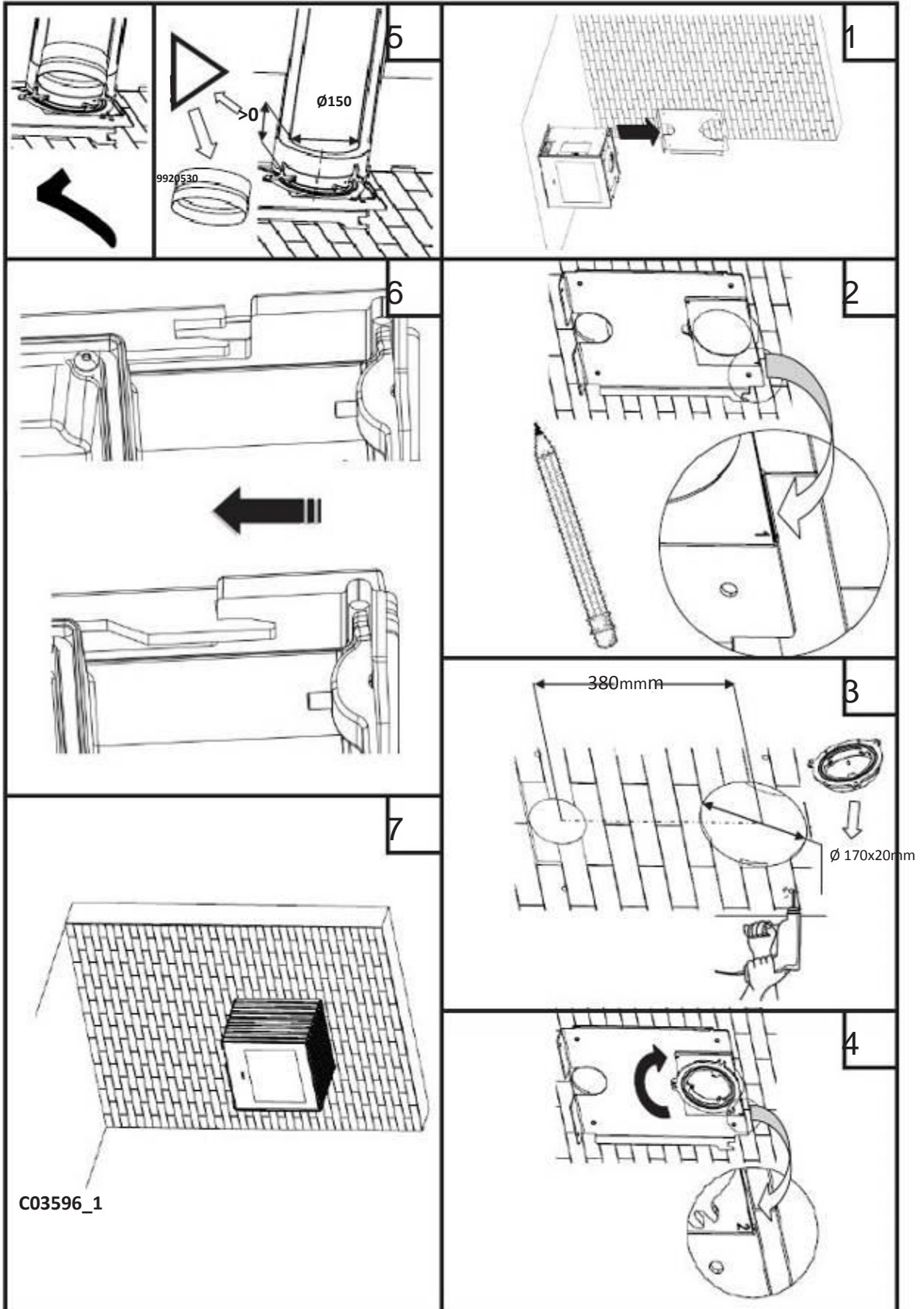
L



M



10 - INSTALACIÓN A PARED - MONTAGGIO A PARETE - WALL MOUNTING - FIXATION AU MUR - MONTAGEM NA PAREDE



Modelo / Model / Modèle / Modello

GLANCE M

hergom **CE**

14



| | | | | | |
|---------|----------------|------------|------|------|----------|
| Cert N° | RRF-40-14-3599 | Org Not N° | 1625 | Norm | EN 13240 |
|---------|----------------|------------|------|------|----------|

Leña / wood / bois / legna / madeira

| | | | |
|------------------------------------------------------------------------------------------------------------------------------------------------------------|-------------|----------------------------------------------------------------------------------------------------------------------------------------------|---------------|
| Potencia Térmica Nominal / Nominal Thermal Power / Potenza termica nominale / Puissance thermique nominale / Potência Térmica nominal | 7 kW | Emissiones CO/ CO emissions / Emissioni CO / Emissions CO/Emissões CO (13% O ₂ Vol%) | 0,07 |
| Emissiones partículas / Particulate emissions / Emissioni particelle / Emissions particules / Emissões partículas (13% O ₂ mg/Nm ³) | 22 | Temperatura media de gases / Average gas temperature / Température des gaz moyenne / Temperatura media dei gas / Temperatura média dos gases | 270 °C |
| Rendimiento/ Efficiency / Rendimento / Rendement/ Rendimento (%) | 80 | Fabricación N°-Production N°-Produzione N°-Produção N° | |

Distancia de seguridad mínima a materiales combustibles Trasera 15 cm Lateral 50cm Frente 90cm
 Minimum safety distance to combustible materials: Rear 15 cm, Side 50cm, Front 90cm
 Distance de sécurité minimale aux matériaux combustibles 15 cm à l'arrière, 50cm de côté, avant 90cm
 Distanza di sicurezza minima da materiali combustibili Posteriori 15 cm, Laterale 50 cm, Frontale 90 cm
 Distância mínima de segurança de materiais combustíveis 15 cm traseiros, 50 centímetros Side, Front 90 centímetros

Lea y siga las instrucciones de funcionamiento Utilice solo combustibles recomendados
 Aparato preparado para funcionamiento intermitente No utilizar en chimenea compartida
 Read and follow the manufacturer's instructions Use recommended fuels only Appliance prepared for intermit operation Not use shared flue
 Lisez et suivez les instructions de fonctionnement N'utilisez que les combustibles conseillés
 Appareil conçu pour un fonctionnement intermittent Pas l'utilisation partagée de combustion
 Leggere seguire le istruzioni per l'uso Usare solo i combustibili consigliati Apparecchio progettato per funzionare con il sistema di combustione intermittente Non utilizzare canna fumaria condivisa
 Leia e siga instruções de funcionamento Utilize somente combustíveis recomendados
 Aparelho preparado para funcionamento intermitente Não use compartilhado combustão

Industrias Hergom S.A. 39110 Soto de la Marina (Cantabria) SPAIN C03551
 Tel. 942 587 000 / e-mail hergom@hergom.com www.hergom.com



**DECLARACIÓN DE PRESTACIONES / DECLARATION OF PERFORMANCE /
DICHIAZIONE DI PRESTAZIONI/ DÉCLARATION DE PRESTATIONS / DECLARAÇÃO DE PRESTAÇÕES**

Nº C03582_1

1 Nombre y código de identificación/Name and identification code/Nome e código di identificazione/ Nom et code d'identification/Nome e código de identificação:

Estufa para combustibles sólidos/ Stove for solid fuels/ Stufa per combustibili solidi/ Poêle pour combustibles solides/
Fogão para combustíveis sólidos

GLANCE M

2 Nombre y dirección del fabricante/Name and address of manufacturer/Nome e indirizzo del produttore/Nom et adresse du fabricant/Nome e morada do fabricante:

INDUSTRIAS HERGÓM, S.A.

C/ Borrancho, s/n; 39080 (Soto de la Marina) Cantabria (España)

3 Uso previsto/Intended use/Usò previsto/Utilisation prévue **Usò previsto:** Según capítulo 1 de la norma EN 13240/ According to chapter 1 standard EN 13240/ In base a quanto previsto nel capitolo 1 dalla norma EN 13240/ Selon le chapitre numéro 1 de la norme EN 13240/ Acordo com o capítulo 1 da norma EN 13240

4 Sistema de evaluación y verificación de la constancia de las prestaciones/System of assessment and verification of constancy of performance/Sistema di valutazione e verificazione della veridicità delle prestazioni/Système d'évaluation et vérification de la constance des prestations/Sistema de avaliação e verificação da constância das prestações: 3

5 Organismo notificado/Notified Body/Organizzazione notificata/Organisme notifié/Organismo notificado:

RRF Rhein-Ruhr Feuerstätten Prüfstelle nº 1625
RRF-40 14 3599 (28/05/2014)

6 Prestaciones declaradas/Declared performance/Prestazioni dichiarate/Prestations déclarées/ Prestações declaradas:


| Características esenciales Essential characteristics Caratteristiche essenziali Caractéristiques essentielles Características essenciais | Prestaciones Performance Prestazioni Prestations Prestações | Especificaciones técnicas armonizadas/ Harmonized technical specification/Specifiche tecniche armonizzate/Spécifications techniques harmonisées/Especificações técnicas harmonizadas |
|------------------------------------------------------------------------------------------------------------------------------------------------------|-------------------------------------------------------------------------|-----------------------------------------------------------------------------------------------------------------------------------------------------------------------------------------------------|
| Potencia Térmica Nominal / Nominal Thermal Power / Potenza termica nominale/ Puissance thermique nominale / Potência Térmica nominal (kW) | 7 | EN 13240:2001 |
| Rendimiento/ Efficiency / Rendimento / Rendement/ Rendimento (%) | 80 | |
| Emissiones CO/ CO emissions / Emissioni CO / Émissions CO/Emissões CO (13% O2 Vol%) | 0,07 | |
| Emissiones partículas / Particulate emissions / Emissioni particelle / Emissions particules / Emissões partículas (13% O2 mg/Nm3) | 22 | |

• Las declaraciones del producto identificado en el punto 1 son conformes con las prestaciones declaradas en el punto 6. The performance of the product identified in point 1 is in conformity with the declared performance in point 6. Le dichiarazioni del prodotto identificato al punto 1 sono conformi con le prestazioni dichiarate al punto 6. Les déclarations sur le produit identifié au point 1 sont conformes aux prestations déclarées au point 6. As declarações do produto identificado no ponto 1 estão conformes com as prestações declaradas no ponto 6.

• La presente declaración de prestaciones se emite bajo la única responsabilidad del fabricante indicado en el punto 2. This declaration of performance is issued under the sole responsibility of the manufacturer identified in point 2. La presente dichiarazione di prestazioni si emette sotto la unica responsabilità del produttore indicato al punto 2. La présente déclaration de prestations est émise sous la responsabilité exclusive du fabricant visé au point 2. A presente declaração de prestações emite-se sob a única responsabilidade do fabricante indicado no ponto 2.

• Firmado por y en nombre del fabricante por/ Signed for and on behalf of the manufacturer by/ Firmato da e per nome del produttore da/ Signé par et au nom du fabricant par/ Assinado por e em nome do fabricante:

Firma / Signature / Firma / Signature / Assinatura


Luis Aguilar Martín
(Director Gerente/Managing Manager/Direttore Generale /
Directeur Industrias Hergóm, S.A.)

Lugar y fecha de emisión/Place and date of issue / Luogo e data di
emissione / Lieu et date d'émission/ Lugar e data de emissão


Industrias Hergóm, S. A.
SOTO DE LA MARINA (Cantabria)
Telf. 942 587 000 - Fax 942 587 001
Apartado 208 de Santander

hergom

INDUSTRIAS HERGOM S.A
SOTO DE LA MARINA - CANTABRIA
Apdo. de correos 208 SANTANDER
Tel: 0034 942 587 000
E-mail: hergom@hergom.com
www.hergom.com

C03550
Versión 5
11/2014