

A man with a beard and short dark hair, wearing a grey button-down shirt and a dark tie, is looking directly at the camera. A horizontal wooden plank is placed across his eyes, partially obscuring his face. The background is a plain, light grey color.

how to install lamininate

Find the floor
that fits your
personality

balterio

no ordinary floors

Installation instructions

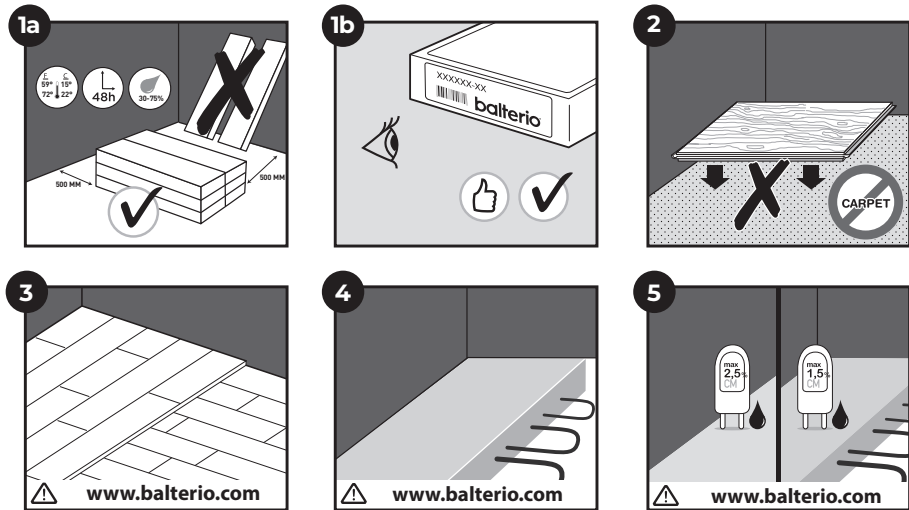
PREPARATION

INSTALLATION

FINISHING

MAINTENANCE

In order to obtain a good result, we advise to follow all given instructions carefully.



- 1a** Let the planks acclimatize for **48 hours** in the unopened packaging at the normal room temperature, in the middle of the room where the floor is to be installed. The ideal conditions are 15-22°C at a relative humidity of 30-75%. If climate conditions are outside this 30-75% range, we strongly advise to acclimatize for 1 week with opened packages.
- 1b** Balterio® laminate floors can be bought in different formats, decors and qualities. **Make sure you have received the correct flooring** that you ordered before starting the installation. It is always a good idea to store the end labels together with your purchasing receipt.
- 2** **Remove any damp-porous floor covering** (carpet, needle felt, etc.) first. Damp-sealed floor covering (PVC, linoleum, VCT, etc.) does not have to be removed. Always use a dampproof underlay. We advise to use a Balterio® underlay. On a damp-sealed floor covering (PVC, linoleum, VCT, etc.) an underlay with a dampproof membrane (or a separated PE-foil) need to be installed to avoid migration.
- 3** **WOODEN SUBFLOOR:** Remove any existing floor covering first. No signs of mould and/or insect infestations should be present. **Make sure the subfloor is level.** Nail or screw down any loose parts. If the wooden subfloor is flat (no unevenness greater than 2mm over the length of 1 meter): you can install any Balterio® underlay. If the wooden subfloor is not flat and has unevenness > 2mm and < 4mm over a length of 2m, you have to install a fibered levelling compound or underlay + plywood / OSB levelling floor. **Install the new floor at ninety degrees to the existing subfloor.** The crawl space under the plank floor must be sufficiently ventilated. Remove any obstacles and make sure there is sufficient ventilation (minimum 4 cm² (1/2") total ventilation openings per m² (40") of floor). The moisture content of the wood must not exceed 10%.
- 4** **Additional instructions apply if there is underfloor heating or cooling.** For health and safety reasons and to avoid problems with the Balterio® laminate floor, a floor surface temperature of maximum 27°C (80°F) is allowed. Visit www.Balterio.com for more information.
- 5** The moisture content of the subfloor must be less than 2,5%CM / 75%RH (cement screed) or less than 0,5%CM / 50%RH (anhydrite screed - subfloor). In the case of floor heating, results must be respectively 1,5%CM / 60%RH and 0,3%CM / 40%RH. Always measure, record and keep your moisture content results. A new cement screed floor must dry at least 1 week per 1cm (3/8") thickness up to 4cm (1-1/2"). Thicknesses over 4cm (1-1/2") require twice as much drying time. For example, a 6cm (2-1/2") concrete subfloor must dry at least 8 weeks. Moisture measurements should always be taken and a protocoll must be kept for the future.

Installation instructions

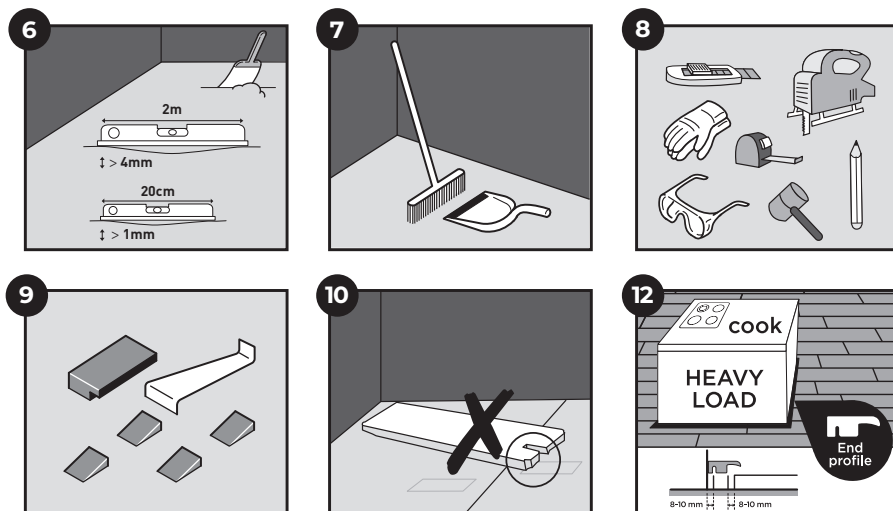
PREPARATION

INSTALLATION

FINISHING

MAINTENANCE

In order to obtain a good result, we advise to follow all given instructions carefully.



- 6 **Make sure the subfloor is level.** Any unevenness greater than 4 mm over the length of 2 meter must be smoothed out. The same applies to any unevenness of more than 1 mm over a length of 20 cm.
- 7 After checking the subfloor for unevenness, carefully vacuum the entire surface. **Make sure that the floor base is flat, clean, firm, and dry.** To avoid risk of squeaking, secure any loose particleboard, OSB, fiberboard, timber planks etc. with screws.
- 8 To install your laminate floor **you need** the following standard tools: **Hammer, saw** (a jig-saw, hand circular saw, hand saw, or cross-cut saw), **mouth mask** (during sawing), **pencil, tape measure, safety goggles and gloves.**
- 9 Apart from that, you also need the following accessories: **installation kit** (a pulling iron, spacers and a tapping block suitable for the Uniclic® click system), underlay system (use an underlay that provides a stable foundation for the floor) and suitable maintenance products. **The use of accessories other than the Balterio® accessories might cause damage to the Balterio® floor.** In such case the guarantee provided by Balterio® will be void. We therefore advise to use only Balterio® accessories as these have been especially designed and tested for the use with Balterio® floor panels.
- 10 **Check all panels before and during installation.** Defective panels must never be used. An installed plank is considered as accepted and cannot be claimed.
- 11 **Check that the doors can still open and close** after the floor and underlay have been installed.
- 12 Cooking islands for kitchens and other very heavy objects should be installed first and not placed on top of the laminate. The laminate floor must be able to move around the heavy objects to avoid open joints and separating planks.

balterio

no ordinary floors

Installation instructions

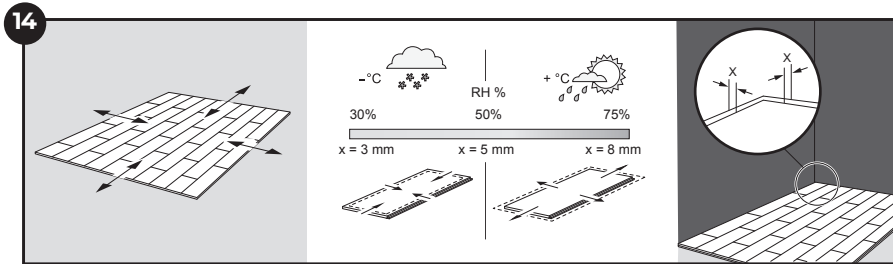
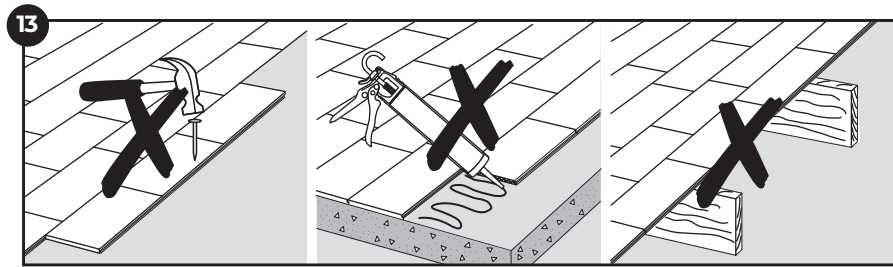
PREPARATION

INSTALLATION

FINISHING

MAINTENANCE

In order to obtain a good result, we advise to follow all given instructions carefully.



13 Balterio® laminate flooring is designed **to be installed as a floating floor to allow natural expansion and contraction with changes in temperature and humidity.** To achieve the benefits of a floating floor and to avoid possible gaps, squeaking etc. **never fasten the floor with nail, screws, silicone etc.**

14 A Balterio® laminate floor is mainly composed of natural wood and will naturally expand and contract upon changes in the relative humidity. The dimensional variation of the installed floor will almost be equal in length and width. At 20°C and a relative humidity, RH, between 40-60%, the movement is minimal. Balterio® laminate flooring is produced and delivered with a moisture content to cope with a RH between 30-60%. In dry climate, for example in the Nordics during winter time, the RH might drop below 30% and in summertime rise above 70%. This will create movements in the floor surface. To secure enough clearance for the natural movements and to avoid possible open joints, squeaking etc. **always keep a dilatation joint of 5mm average to walls, thresholds, staircases, pipes etc. during installation. Use the spacers of the installation kit to keep the right clearance.** Installing in winter time in very low RH, the clearance to the wall should be lowered to 3 mm since the floor panels will shrink, and if installing in high RH climate the clearance should be raised to 8 mm since the floor panels will expand. **The clearance must be left open** and may NOT be filled by any sealant, silicone or other adhesive. **Never fasten the floor with nails, glue, screws or in any other way.**

Installation instructions

PREPARATION

INSTALLATION →

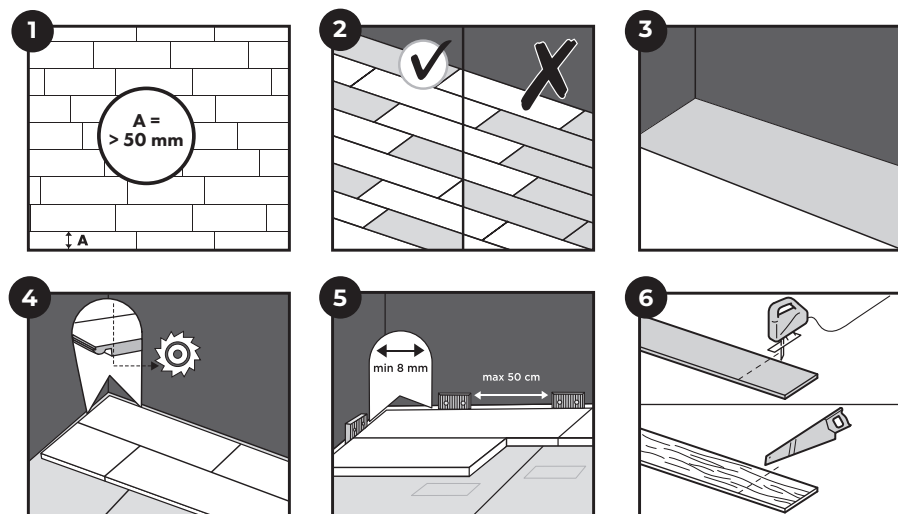
FINISHING

MAINTENANCE

In order to obtain a good result, we advise to follow all given instructions carefully.

The floors with hydroshield technology are water resistant after installation. Following these instruction carefully makes the floor fit for use in bathrooms, kitchens, laundry rooms and entrance areas.

The panels are not suitable for use in damp spaces like pool areas, saunas and rooms with build-in drains like showers. These extra water protection instructions do not cope to national regulations of water protection in wet rooms. With Uniclic® or FXP panels you can choose where you want to begin. Think about what will be the easiest way to install the floor. We will demonstrate the installation for right-handed people, from left to right. You can work in the other direction if you want.



- 1** Before starting, carefully **measure the length and the width of the room to plan a precise layout** to achieve a balanced appearance of the floor. This is very important when installing typical tile decors. This will ensure also you won't end up with the last row being too narrow. If the last row would be less than 50mm, the installation will be easier if you cut down the planks of the first row in the length.
- 2** **Make sure the panels are mixed sufficiently when you install them**, so that you do not end up with too many identical, light or dark panels next to each other. To obtain the best visual effect, it is best to fit the floorboards in the direction of the longest wall and parallel to the incidence of light.
- 3** **First install the underlay**, per width and gradually as you progress. It is vital that you use underlays to smooth any unevenness in the base floor. The specially designed Balterio® underlays have a damp-proof, insulating, noise-reducing and leveling function. The smooth top surface makes installing the laminate panels easier and ensures ample expansion afterwards. You can find more information about Balterio® underlays and how to install them on the underlay packaging or at your dealer.
- 4** **Begin the first row with a whole plank**. First **saw off the tongue** on both the long and the short sides.
- 5** **Put the plank with sawn off sides against the walls. Put spacers from the installation kit between the planks and the wall**. This will ensure that your expansion joint is wide enough: 8 to 10 mm (5/16" to 3/8").
- 6** Of course we also need to saw the panels. To obtain a clean cut, the pattern side should face down when you use a jigsaw, sabre saw or circular handsaw and up when you use a handsaw or a crosscut saw. Ensure that the end joints of the panels in two successive rows are never in line. Always ensure that the joints are staggered by at least 30 cm / 12 inches.

balterio

no ordinary floors

LAMINATE

Installation instructions

PREPARATION

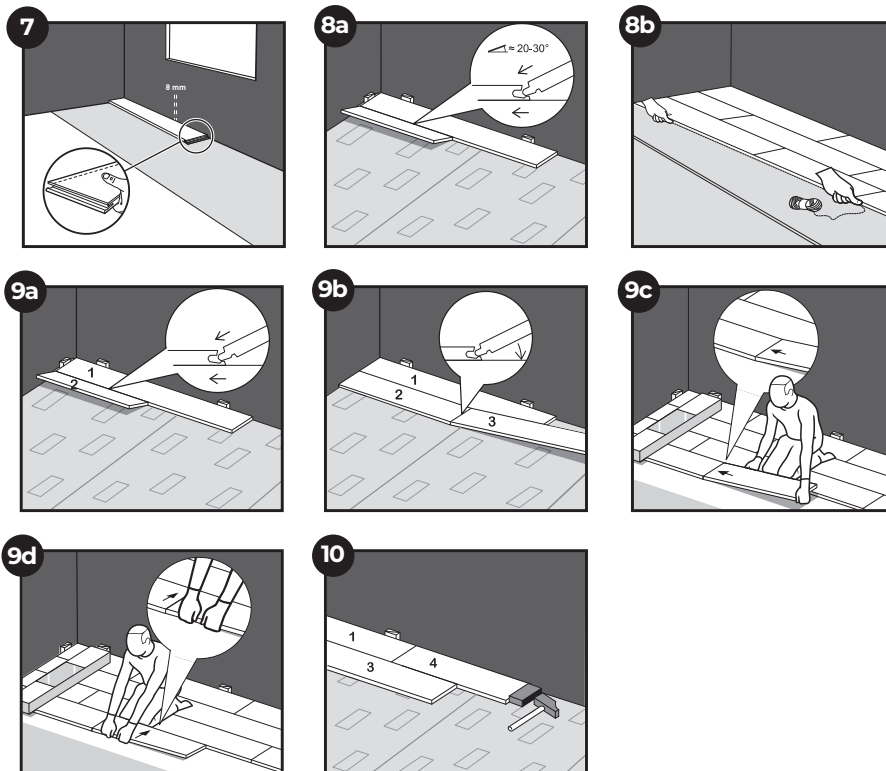
INSTALLATION →

FINISHING

MAINTENANCE

In order to obtain a good result, we advise to follow all given instructions carefully.

UNICLIC CXP



7 Start with the first plank that will be installed in the corner. Remove the click profile on both the long and the short side of the plank by sawing. For other planks of the first row (not in the corner), remove the click profile on the long side that will be directly next to the wall. Any side of a plank that is directly next to a wall, must have its click profile removed, in order to ensure the required expansion gap.

8 In order to make the start of the installation easier, assemble the first 3 rows away from the wall, so you can sit on the planks during the assembly. Then slide the first 3 rows at the wanted position close to the wall with distance spacers in place. Take a thin rope and hold it alongside the installed planks to check and adjust the straightness of your installed first 3 rows. It is recommended to make additional checks of the straightness, in order to confirm the straightness during the installation. Remember to use the distance spacers for the expansion gap of 8mm (0,315 inch) along the perimeter.

INSTALLING WITH UNICLIC® OR CXP CLICK SYSTEM

UNICLIC® is unique because you can install the planks in two different ways.

9 **METHOD A (angle-angle) UNICLIC / CXP click system :** First, rotate the short side of the plank to be installed, into the short side of the already installed plank, by means of the angle principle. Then raise the newly installed plank to an angle of 20-30°. This will also raise the previously installed planks in the same row, because their short sides are already connected. Now place your BOTH hands close to the joint as shown in the figure and pull the long side of the plank towards you. The panels will now click together. You can either insert the tongue into the groove, or the groove on to the tongue. The tongue in groove method is the most common and easiest way. The straightness during the installation. Remember to use the distance spacers for the expansion gap of 8mm (0,315 inch) along the perimeter.

10 **METHOD B (UNICLIC) :** With Uniclic® you can also tap the panels into each other without lifting. For this method you must use the special Uniclic® tapping block. The planks should not be joined with a single tap. To avoid damaging the panels you must tap them together gradually. **Method B is not possible with CXP click system.**

Installation instructions

PREPARATION

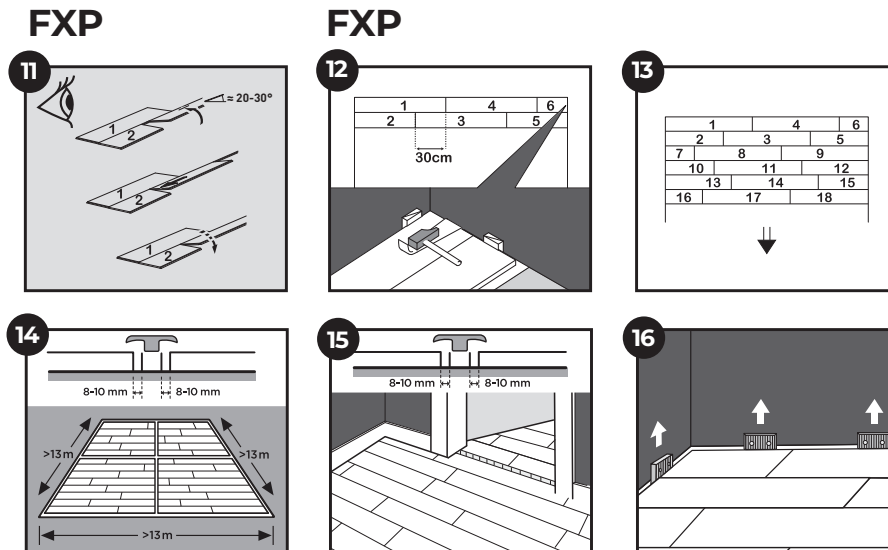
INSTALLATION →

FINISHING

MAINTENANCE

In order to obtain a good result, we advise to follow all given instructions carefully.

UNICLIC CXP FXP



- 11** **INSTALLING WITH FXP CLICK SYSTEM: The easiest way to connect FXP planks is by a rotating fold down movement.** Lift the connecting plank up in an angle of 20-30 degrees, push it into the long side groove and slide it gently to the left until the plank ends meet. Push the plank firmly downwards to the floor, and the FXP patent will lock the joint perfectly in the end. Always control each joint before continuing. Use the Balterio® tapping block gently to tighten up small gaps if needed. Install the first 2 rows in accordance to the illustration.
- 12** **In places where it is too difficult** to install the Uniclic® or FXP planks with the tapping block (e.g. against the wall), you can tap them together using the pulling iron and a hammer. Horizontal tapping is not possible with CXP click system. In this case you should cut the bubble of the groove lip with a wood chisel or sanding machine and add woodglue to hold the panels together.
- 13** **Continue like this to the end of the room.**
- 14** With lengths of more than 13 m and widths of more than 13 m, there should be an **intermediate expansion joint**. The swelling and shrinking is linear, so **the bigger the surface, the bigger the play at the edge has to be.**
- 15** **Room humidity can vary according to the season, so it is vital that the floor is able to expand and contract.** For this reason, make sure you **leave an expansion joint of minimum 8 to 10 mm (5/16" to 3/8")** on all sides of the floor, around pipes, thresholds and under doors. Expansion joints can be **finished by means of a skirting** that is attached to the subfloor. It is mandatory to **provide an expansion joint between different rooms** (e.g. under the door). In typical T, - L or U- shaped rooms it may also be necessary to install a dilatation joint. Contact the Balterio® technical department in case of doubt.
- 16** **Remove all spacers.**

balterio

no ordinary floors

Installation instructions

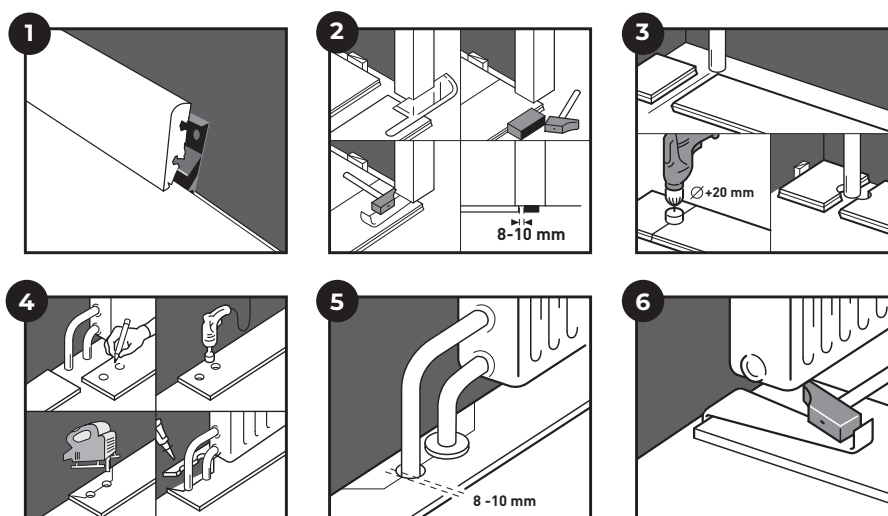
PREPARATION

INSTALLATION

FINISHING →

MAINTENANCE

In order to obtain a good result, we advise to follow all given instructions carefully.



- 1 Install the skirting-board against the wall. Never attach the skirting-board to the floor.** This method allows the floor to expand and contract under the skirting-board.
- When sawing the panels make sure that **the expansion joint under the door is at least 10 mm**. If you cannot lift the panel, use the tapping block or pulling iron and hammer to tap the panels together when the planks are flat on the floor. **Horizontal tapping is not possible with CXP click system.** In this case you should cut the bubble of the groove lip with a wood chisel or sanding machine and add woodglue to hold the panels together.
- 3 In rows where there is a pipe,** make sure the pipe falls exactly in line with the short side of two panels. Take a drill bit with the same diameter as the pipe plus 20 mm (3/4"). Click the panels together on the short side and drill a hole centered on the joint between the two panels. Now you can install the panels on the floor.
- 4 In rows where there is a double pipe,** proceed as follows: **1.** Measure where the pipe will come through the plank. Don't forget to allow for the expansion joint **2.** Take a drill bit measuring the diameter of the pipe plus +20 mm for the expansion. Drill through the panel where the pipe will come through **3.** Extend the hole to the edge of the panel **4.** Lay the panel around the pipe **5.** Take another panel and saw a piece that fits exactly in the remaining hole, and glue this piece with wood glue.
- 5 For a perfect finish around pipes, use pipe covers.**
- 6 In places where it is difficult to install the planks with the tapping block (e.g. underneath radiators),** you can tap them together with the pulling iron and a hammer. Horizontal tapping is not possible with CXP click system. In this case you should cut the bubble of the groove lip with a wood chisel or sanding machine and add woodglue to hold the panels together.

balterio

no ordinary floors

Installation instructions

PREPARATION

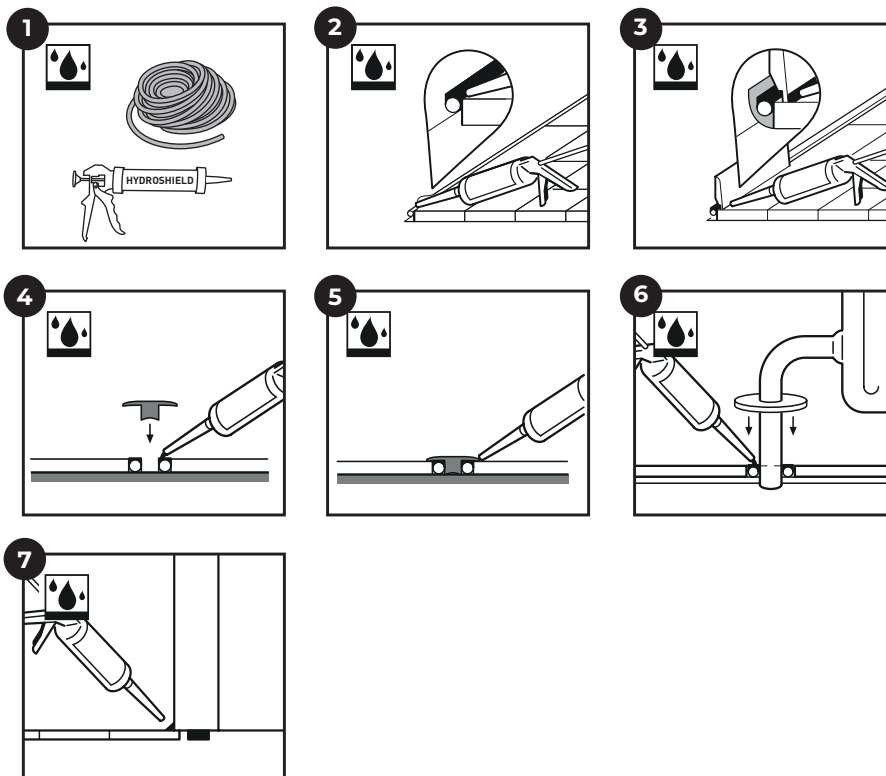
INSTALLATION

FINISHING →

MAINTENANCE

In order to obtain a good result, we advise to follow all given instructions carefully.

FINISHING IN ROOMS LIKE BATHROOMS, KITCHENS, LAUNDRY ROOMS AND ENTRANCE AREAS : ONLY FOR HYDROSHIELD LAMINATE



- 1** This installation instruction can prevent water infiltration around the perimeter and obstacles of your laminate flooring. Following these instruction carefully makes the floor fit for use in bathrooms, kitchens, laundry rooms and entrance areas. The water-resistant panels are not suitable for use in damp spaces like pool areas, saunas and rooms with built-in drains like showers. These extra water protection instructions do not cope to national regulations of water protection in wet rooms. For a water resistant finishing, use the elastic waterproof transparent paste (Balterio® Hydroshield) and the foamstrip (NEFOAMSTRIP).
- 2** Sealing the perimeter expansion joints combines a compressible PE foam with diameter 8 to 10 mm and the flexible and **waterproof Balterio® Hydroshield**. Push the PE foam in the expansion joints and apply the flexible Balterio® Hydroshield under slight angle towards the Balterio® floor.
- 3** Install the skirting-board with mounting adhesive. Apply the flexible **Hydroshield between skirtings and floor to avoid ingress of water**. **Tip:** To make work more clean, it can be easy to **put a tape on the floor before applying** the flexible Hydroshield. This tape can be removed immediatly after applying the Hydroshield. Spilled Hydroshield can be removed easily when it is dry.
- 4** Fix the **base profile to the base floor with mounting adhesive and/or screws**. **Apply the flexible Hydroshield on the flexible PE foam** that is in the expansion joint.
- 5** Push the transition profile in the base profile and the wet Hydroshield.
- 6** For a perfect finish around pipes, **use pipe covers and the elastic waterproof transparent Balterio® Hydroshield on top op the PE-foam**. Then place the pipe cover and apply Hydroshield around the pipe cove and around the tubes. This makes the ingress of water impossible.
- 7** **To secure extra water protection** around the perimeter of the floor and avoid water to enter underneath the panels, **apply the flexible Balterio® Hydroshield up to the wall base, thresholds, door frames, pipe covers etc.**

balterio

no ordinary floors

Installation instructions

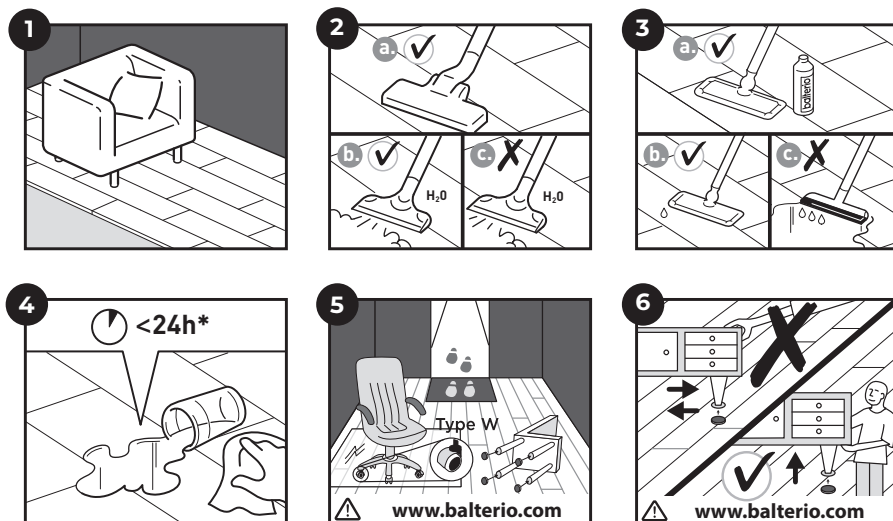
PREPARATION

INSTALLATION

FINISHING

MAINTENANCE →

In order to obtain a good result, we advise to follow all given instructions carefully.



- 1 **You can walk on the floor during and immediately after installation.** Ensure that humidity in the room is always at least 30%. Use a humidifier if you need to.
- 2
 - a. For dry maintenance, we advise a mop or vacuum cleaner. Make sure the vacuum cleaner is equipped with soft wheels and a special parquet brush to avoid scratches on your floor.
 - b. You can use a steam cleaner on the Traditions range with HydroShield, if there's no steam directly coming on the laminate. So it must always be used with an appropriate cloth on the steam opening, which guarantees also an homogeneous heat and steam distribution. It is also important to take care to hold the apparatus not too long on the same place and clean the floor in the length direction of the planks.
 - c. For the other ranges, we recommend to never use a steam cleaner.
- 3
 - a. For all maintenance, we advise the Balterio® cleaning accessories (see instructions). Be aware that the use of other cleaning products might damage your floor.
 - b. Slightly damp and wet maintenance is allowed on Hydroshield laminate.
 - c. Wet maintenance is absolutely forbidden on non-Hydroshield laminates. For further information on how to clean and maintain your floor, please visit www.Balterio.com. For specific cleaning instructions in commercial applications or projects, you can contact the Balterio® technical department.
- 4 **Remove any water within 24 hours on Traditions laminate. For Grande range within 1 hour and for non-hydroshield laminates within 15 minutes.**
- 5 **Protect furniture and chair legs.** Avoid bringing dirt, water and sand indoors by providing a suitable floor mat at the door. Use (office) chairs and seats with soft wheels that are suitable for a laminate floor and/or use a suitable desk mat.
- 6 **Never drag items of furniture over the floor, but lift them up.**
- 7 **The smooth surface of your laminate floor will not retain dirt or dust.** Remove stubborn stains carefully with acetone or nail polish remover. **Never use scouring products! Never use wax or varnish coating on the floor.**

balterio

no ordinary floors

Enjoy your floor for years to come !

LAMINATE