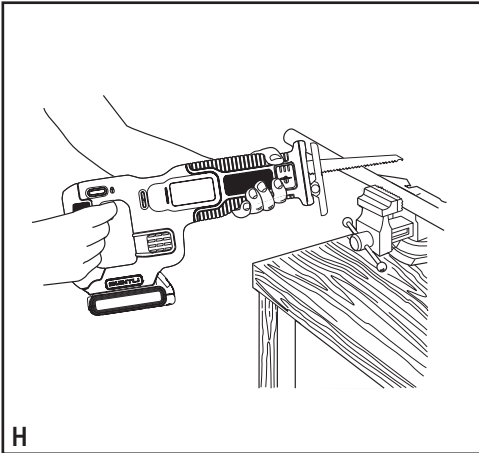
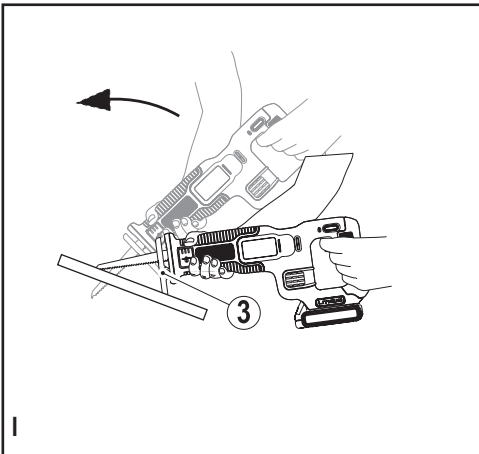


G



H



I

Intended use

Your BLACK+DECKER BDCR18 - Reciprocating Saw has been designed for sawing wood, plastics and sheet metal. This tool is intended for consumer use only.

Safety instructions

General power tool safety warnings



Warning! Read all safety warnings and all instructions. Failure to follow the warnings and instructions listed below may result in electric shock, fire and/or serious injury.

Save all warnings and instructions for future reference.

The term "power tool" in all of the warnings listed below refers to your mains operated (corded) power tool or battery operated (cordless) power tool.

1. Work area safety

- a. **Keep work area clean and well lit.** Cluttered or dark areas invite accidents.
- b. **Do not operate power tools in explosive atmospheres, such as in the presence of flammable liquids, gases or dust.** Power tools create sparks which may ignite the dust or fumes.
- c. **Keep children and bystanders away while operating a power tool.** Distractions can cause you to lose control.

2. Electrical safety

- a. **Power tool plugs must match the outlet. Never modify the plug in any way. Do not use any adapter plugs with earthed (grounded) power tools.** Unmodified plugs and matching outlets will reduce risk of electric shock.
- b. **Avoid body contact with earthed or grounded surfaces such as pipes, radiators, ranges and refrigerators.** There is an increased risk of electric shock if your body is earthed or grounded.
- c. **Do not expose power tools to rain or wet conditions.** Water entering a power tool will increase the risk of electric shock.
- d. **Do not abuse the cord. Never use the cord for carrying, pulling or unplugging the charger. Keep cord away from heat, oil, sharp edges or moving parts.** Damaged or entangled cords increase the risk of electric shock.
- e. **When operating a power tool outdoors, use an extension cord suitable for outdoor use.** Use of a cord suitable for outdoor use reduces the risk of electric shock.
- f. **If operating a power tool in a damp location is unavoidable, use a residual current device (RCD) protected supply.** Use of an RCD reduces the risk of electric shock.

3. Personal safety

- a. **Stay alert, watch what you are doing and use common sense when operating a power tool. Do not use a power tool while you are tired or under the influence of drugs, alcohol or medication.**

A moment of inattention while operating power tools may result in serious personal injury.

- b. **Use personal protective equipment. Always wear eye protection.** Protective equipment such as dust mask, non-skid safety shoes, hard hat, or hearing protection used for appropriate conditions will reduce personal injuries.
- c. **Prevent unintentional starting. Ensure the switch is in the off-position before connecting to power source and/or battery pack, picking up or carrying the tool.** Carrying power tools with your finger on the switch or energising power tools that have the switch on invites accidents.
- d. **Remove any adjusting key or wrench before turning the power tool on.** A wrench or a key left attached to a rotating part of the power tool may result in personal injury.
- e. **Do not overreach. Keep proper footing and balance at all times.** This enables better control of the power tool in unexpected situations.
- f. **Dress properly. Do not wear loose clothing or jewellery. Keep your hair, clothing and gloves away from moving parts.** Loose clothes, jewellery or long hair can be caught in moving parts.
- g. **If devices are provided for the connection of dust extraction and collection facilities, ensure these are connected and properly used.** Use of dust collection can reduce dust-related hazards.
- h. **Do not let familiarity gained from frequent use of tools allow you to become complacent and ignore tool safety principles.** A careless action can cause severe injury within a fraction of a second.

4. Power tool use and care

- a. **Do not force the power tool. Use the correct power tool for your application.** The correct power tool will do the job better and safer at the rate for which it was designed.
- b. **Do not use the power tool if the switch does not turn it on and off.** Any power tool that cannot be controlled with the switch is dangerous and must be repaired.
- c. **Disconnect the plug from the power source and/or the battery pack from the power tool before making any adjustments, changing accessories, or storing power tools.** Such preventive safety measures reduce the risk of starting the power tool accidentally.
- d. **Store idle power tools out of the reach of children and do not allow persons unfamiliar with the power tool or**

these instructions to operate the power tool. Power tools are dangerous in the hands of untrained users.

- e. **Maintain power tools.**
Check for misalignment or binding of moving parts, breakage of parts and any other condition that may affect the power tools operation. If damaged, have the power tool repaired before use. Many accidents are caused by poorly maintained power tools.
- f. **Keep cutting tools sharp and clean.** Properly maintained cutting tools with sharp cutting edges are less likely to bind and are easier to control.
- g. **Use the power tool, accessories and tool bits etc. in accordance with these instructions, taking into account the working conditions and the work to be performed.** Use of the power tool for operations different from those intended could result in a hazardous situation.
- h. **Keep handles and grasping surfaces dry, clean and free from oil and grease.** Slippery handles and grasping surfaces do not allow for safe handling and control of the tool in unexpected situations.

5. Battery tool use and care

- a. **Recharge only with the charger specified by the manufacturer.** A charger that is suitable for one type of battery pack may create a risk of fire when used with another battery pack.
- b. **Use power tools only with specifically designated battery packs.** Use of any other battery packs may create a risk of injury and fire.
- c. **When battery pack is not in use, keep it away from other metal objects, like paper clips, coins, keys, nails, screws, or other small metal objects, that can make a connection from one terminal to another.** Shorting the battery terminals together may cause burns or a fire.
- d. **Under abusive conditions, liquid may be ejected from the battery; avoid contact. If contact accidentally occurs, flush with water. If liquid contacts eyes, additionally seek medical help.** Liquid ejected from the battery may cause irritation or burns.
- e. **Do not use a battery pack or tool that is damaged or modified.** Damaged or modified batteries may exhibit unpredictable behaviour resulting in fire, explosion or risk of injury.
- f. **Do not expose a battery pack or tool to fire or excessive temperature.** Exposure to fire or temperature above 130 °C may cause explosion.
- g. **Follow all charging instructions and do not charge the battery pack or tool outside the temperature range specified in the instructions.** Charging improperly or at temperatures outside the specified range may damage the battery and increase the risk of fire.

6. Service

- a. **Have your power tool serviced by a qualified repair person using only identical replacement parts.** This will ensure that the safety of the power tool is maintained.
- b. **Never service damaged battery packs.** Service of battery packs should only be performed by the manufacturer or authorised service providers.

Additional power tool safety warnings



Warning! Additional safety warnings for hand-held saws

- ◆ **Hold power tool by insulated gripping surfaces when performing an operation where the cutting accessory may contact hidden wiring.** Cutting accessory contacting a "live" wire may make exposed metal parts of the power tool "live" and could give the operator an electric shock.
- ◆ **Hold power tool by insulated gripping surfaces, when performing an operation where the fastener may contact hidden wiring.** Fasteners contacting a "live" wire may make exposed metal parts of the power tool "live" and could give the operator an electric shock.
- ◆ **Use clamps or another practical way to secure and support the workpiece to a stable platform.** Holding the work by hand or against your body leaves it unstable and may lead to loss of control.
- ◆ **Keep hands away from cutting area.** Never reach underneath the work piece any reason. Do not insert fingers or thumb into the vicinity of the reciprocating blade and blade clamp. Do not stabilize the saw by gripping the shoe.
- ◆ **Keep blades sharp.** Dull or damaged blades may cause the saw to swerve or stall under pressure. Always use the appropriate type of saw blade for the workpiece material and type of cut.
- ◆ **When cutting pipe or conduit, make sure that they are free from water, electrical wiring, etc.**
- ◆ **Do not touch the workpiece or the blade immediately after operating the tool.** They can become very hot.
- ◆ **Be aware of hidden hazards, before cutting into walls, floors or ceilings, check for the location of wiring and pipes.**
- ◆ **The blade will continue to move after releasing the switch.** Always switch the tool off and wait for the saw blade to come to a complete standstill before putting the tool down.

Warning! The vibration emission value during actual use of the power tool can differ from the declared value depending on the ways in which the tool is used. The vibration level may increase above the level stated.

- ◆ The intended use is described in this instruction manual. The use of any accessory or attachment or performance of any operation with this tool other than those

recommended in this instruction manual may present a risk of personal injury and/or damage to property.

Additional power tool safety warnings



Warning! Additional safety warnings for jigsaws and reciprocating saws

- ◆ **Hold power tool by insulated gripping surfaces, when performing an operation where the cutting accessory may contact hidden wiring.** Cutting accessory contacting a "live" wire may make exposed metal parts of the power tool "live" and could give the operator an electric shock.
- ◆ **Use clamps or another practical way to secure and support the workpiece to a stable platform.** Holding the work by hand or against your body leaves it unstable and may lead to loss of control.
- ◆ **Keep hands away from cutting area.** Never reach underneath the work piece any reason. Do not insert fingers or thumb into the vicinity of the reciprocating blade and blade clamp. Do not stabilize the saw by gripping the shoe.
- ◆ **Keep blades sharp.** Dull or damaged blades may cause the saw to swerve or stall under pressure. Always use the appropriate type of saw blade for the workpiece material and type of cut.
- ◆ **When cutting pipe or conduit, make sure that they are free from water, electrical wiring, etc.**
- ◆ **Do not touch the workpiece or the blade immediately after operating the tool.** They can become very hot.
- ◆ **Be aware of hidden hazards, before cutting into walls, floors or ceilings, check for the location of wiring and pipes.**
- ◆ **The blade will continue to move after releasing the switch.** Always switch the tool off and wait for the saw blade to come to a complete standstill before putting the tool down.

Warning! Contact with, or inhalation of dusts arising from cutting applications may endanger the health of the operator and possible bystanders. Wear a dust mask specifically designed for protection against dust and fumes and ensure that persons within or entering the work area are also protected.

- ◆ The intended use is described in this instruction manual.
- ◆ The use of any accessory or attachment or performance of any operation with this tool other than those recommended in this instruction manual may present a risk of personal injury and/or damage to property.

Safety of others

Never allow children, persons with reduced physical, sensory or mental capabilities or lack of experience and knowledge or people unfamiliar with these instructions to use the machine, local regulations may restrict the age of the operator.

Residual risks

Additional residual risks may arise when using the tool which may not be included in the enclosed safety warnings. These risks can arise from misuse, prolonged use etc.

Even with the application of the relevant safety regulations and the implementation of safety devices, certain residual risks can not be avoided. These include:

- ◆ Injuries caused by touching any rotating/moving parts.
- ◆ Injuries caused when changing any parts, blades or accessories.
- ◆ Injuries caused by prolonged use of a tool. When using any tool for prolonged periods ensure you take regular breaks.
- ◆ Impairment of hearing.
- ◆ Health hazards caused by breathing dust developed when using your tool (example:- working with wood, especially oak, beech and MDF.)

Vibration

The declared vibration emission values stated in the technical data and the declaration of conformity have been measured in accordance with a standard test method provided by EN60745 and may be used for comparing one tool with another. The declared vibration emission value may also be used in a preliminary assessment of exposure.

Warning! The vibration emission value during actual use of the power tool can differ from the declared value depending on the ways in which the tool is used. The vibration level may increase above the level stated.

When assessing vibration exposure to determine safety measures required by 2002/44/EC to protect persons regularly using power tools in employment, an estimation of vibration exposure should consider, the actual conditions of use and the way the tool is used, including taking account of all parts of the operating cycle such as the times when the tool is switched off and when it is running idle in addition to the trigger time.

Labels on tool

The following symbols are shown on the tool along with the date code:



Warning! To reduce the risk of injury, the user must read the instruction manual.

Additional safety instructions for batteries and chargers (where supplied)

Batteries

- ◆ Never attempt to open for any reason.
- ◆ Do not expose the battery to water.
- ◆ Do not store in locations where the temperature may exceed 40 °C.

- ◆ Charge only at ambient temperatures between 10 °C and 40 °C.
- ◆ Charge only using the charger provided with the tool.
- ◆ When disposing of batteries, follow the instructions given in the section "Protecting the environment".



Do not attempt to charge damaged batteries.

Chargers

- ◆ Use your BLACK+DECKER charger only to charge the battery in the tool with which it was supplied. Other batteries could burst, causing personal injury and damage.
- ◆ Never attempt to charge non-rechargeable batteries.
- ◆ Have defective cords replaced immediately.
- ◆ Do not expose the charger to water.
- ◆ Do not open the charger.
- ◆ Do not probe the charger.



The charger is intended for indoor use only.



Read the instruction manual before use.

Electrical safety



Your charger is double insulated; therefore no earth wire is required. Always check that the mains voltage corresponds to the voltage on the rating plate. Never attempt to replace the charger unit with a regular mains plug.

- ◆ If the supply cord is damaged, it must be replaced by the manufacturer or an authorised BLACK+DECKER Service Centre in order to avoid a hazard.

Features

This tool includes some or all of the following features.

1. On/Off switch
2. Lock-off button
3. Shoe
4. Blade clamp release lever
5. Blade
6. Battery (where supplied)
7. Battery release button
8. Main handle
9. Secondary gripping handle

Figure D (where supplied)

10. Charger

Assembly

Warning! Before assembly, remove the battery from the tool and make sure that the saw blade has stopped. Used saw blades may be hot.

Fitting the saw blade (fig. A)

- ◆ Hold the tool away from the body.
- ◆ Open the blade clamp release lever (4) to the full open position.
- ◆ Insert blade shank from the front.
- ◆ Close blade clamp release lever (4). Check to make sure the blade (5) is clamped securely.

Note: The blade can be installed with the teeth up to assist in flush cutting (fig. G).

Removing the saw blade

Warning! Do not touch the blade immediately after use. Used saw blades may be hot.

- ◆ Open the blade clamp release lever (4) to the full open position.
- ◆ Remove the blade.

Lock-off button

The tool is equipped with a switch lock-off feature to prevent unintentional operation.

- ◆ To switch the tool on, press the lock-off button (2) then squeeze the on/off switch (1).
- ◆ Releasing the on/off switch (1) turns the tool off.

Fitting and removing the battery (fig. B & C)

- ◆ To fit the battery (6), line it up with the receptacle on the tool. Slide the battery into the receptacle and push until the battery snaps into place (fig. B).
- ◆ To remove the battery (6), push the battery release button (7) while at the same time pulling the battery out of the receptacle on the tool (fig. C).

Use

Warning! Let the tool work at its own pace. Do not overload.

Charging the battery (Fig. D)

The battery needs to be charged before first use and whenever it fails to produce sufficient power on jobs that were easily done before. The battery may become warm while charging; this is normal and does not indicate a problem.

Warning! Do not charge the battery at ambient temperatures below 10 °C or above 40 °C. Recommended charging temperature: approx. 24 °C.

Note: The charger will not charge a battery if the cell temperature is below approximately 10 °C or above 40 °C. The battery should be left in the charger and the charger will begin to charge automatically when the cell temperature warms up or cools down.

- ◆ To charge the battery (6), insert it into the charger (10). The battery will only fit into the charger in one way. Do not force. Be sure that the battery is fully seated in the charger.
- ◆ Plug in the charger and switch on at the mains.

The green charging indicator will flash.

The charge is complete when the green charging indicator switches to continuously on. The charger and the battery can be left connected indefinitely. The green charging indicator will flash as the charger occasionally tops up the battery charge.

- ◆ Charge discharged batteries within 1 week. Battery life will be greatly diminished if stored in a discharged state.

Leaving the battery in the charger

The charger and battery pack can be left connected with the green charging indicator glowing indefinitely. The charger will keep the battery pack fresh and fully charged.

Switching on and off

- ◆ To switch the tool on, press the lock-off button (2) then squeeze the on/off switch (1).
- ◆ To switch the tool off, release the on/off switch (1).

Sawing (fig. E)

- ◆ Always hold the tool with both hands (fig. E).
- ◆ Let the blade (5) run freely for a few seconds before starting the cut.
- ◆ Apply only a gentle pressure to the tool while performing the cut.
- ◆ If possible, work with the shoe (3) pressed against the workpiece. This will improve tool control and reduce tool vibration, as well as prevent the blade from being damaged.

Hints for optimum use

Sawing wood (fig. F)

- ◆ Clamp the workpiece securely and remove all nails and metal objects.
- ◆ Holding the tool with both hands, work with the shoe (3) pressed against the workpiece.

Flush cutting (fig. G)

The compact design of the reciprocating saw motor housing and pivoting shoe (3) permit close cutting to floors, corners and other difficult areas.

To maximize flush cutting capabilities:

- ◆ Insert the blade shaft into the blade clamp with the teeth of the blade facing up.
- ◆ Adjust the angle of the handle on the tool so you are as close to the work surface as possible.

Sawing metal (fig. H)

- ◆ Use a saw blade suitable for sawing metal. Use a fine-tooth saw blade for ferrous metals and a coarser saw blade for non-ferrous metals.

- ◆ When cutting thin sheet metal, clamp a piece of scrap wood to the back surface of the workpiece and cut through this sandwich.
- ◆ Spread a film of oil along the intended line of cut.

Pocket cutting in wood (fig. I)

- ◆ Measure and mark the required pocket cut.
- ◆ Fit a saw blade suitable for pocket cutting.
- ◆ Rest the shoe (3) on the workpiece in such a position that the blade forms an appropriate angle for the pocket cut.
- ◆ Switch on the tool and slowly feed the blade into the workpiece. Make sure that the shoe (3) remains in contact with the workpiece at all times.

Cutting branches

Branches up to 25 mm in diameter can be cut with this tool.

Warning! Do not use the tool while in a tree, on a ladder or on any other unstable surface. Be aware of where the branch will fall.

- ◆ Cut downward and away from your body.
- ◆ Make the cut close to the main branch or tree body.

Vertical cutting

The tool allows close cutting to corners and other difficult areas.

- ◆ Insert the shank of the saw blade into the blade holder with the teeth of the blade facing upward.
- ◆ Hold the tool with the shoe (3) facing downward so that you are as close to the work surface as possible.
- ◆ Cut forward and away from your body.

Accessories

The performance of your tool depends on the accessory used. BLACK+DECKER accessories are engineered to high quality standards and designed to enhance the performance of your tool. By using these accessories you will get the very best from your tool.

Blades

The saw will accept a blade up to 30 cm long. Always use the shortest blade suitable for your project but long enough to keep the blade cutting through the material. Longer blades are more likely to be bent or damaged during use. During operation some longer blades may vibrate or shake if the saw is not kept in contact with the workpiece.

Maintenance

Your BLACK+DECKER tool has been designed to operate over a long period of time with a minimum of maintenance. Continuous satisfactory operation depends upon proper tool care and regular cleaning.

Your charger does not require any maintenance apart from regular cleaning.

Warning! Before performing any maintenance on the tool, remove the battery from the tool. Unplug the charger before cleaning it.

- ◆ Regularly clean the ventilation slots in your tool and charger using a soft brush or dry cloth.
- ◆ Regularly clean the motor housing using a damp cloth. Do not use any abrasive or solvent-based cleaner.
- ◆ Regularly open the chuck and tap it to remove any dust from the interior.

Protecting the environment



Separate collection. Products and batteries marked with this symbol must not be disposed of with normal household waste

Products and batteries contain materials that can be recovered or recycled reducing the demand for raw materials. Please recycle electrical products and batteries according to local provisions. Further information is available at www.2helpU.com

Technical data

		BDCR18 (H1)
Input voltage	V _{DC}	18
No-load speed	Min ⁻¹	0-3000
Stroke length	mm	22
Weight	kg	1.5

Charger		905902**/ N4940**	905998**/ 906349**
Input voltage	V _{AC}	100-240	220-240
Output voltage	V _{DC}	8-20	8-20
Current	A	400	1000
Approx. charge time	Hours	3-11	1.5-5

Battery (where supplied)		BL2018*	BL1518*	BL2518*	BL4018
Voltage	V _{DC}	18	18	18	18
Capacity	Ah	2.0	1.5	2.5	4.0
Type		Li-Ion	Li-Ion	Li-Ion	Li-Ion

Level of sound pressure according to EN 60745:

Sound pressure (L_{PA}) 79.5 dB(A), uncertainty (K) 3 dB(A)

Sound power (L_{WA}) 90.5 dB(A), uncertainty (K) 3 dB(A)

Vibration total values (triax vector sum) according to EN 60745:

Cutting boards (a_{h,B}) 17.9 m/s², uncertainty (K) 1.5 m/s²

Cutting wooden beams (a_{h,WB}) 19.7 m/s², uncertainty (K) 1.5 m/s²

EC declaration of conformity

MACHINERY DIRECTIVE



BDCR18 - Reciprocating Saw

Black & Decker declares that these products described under "technical data" are in compliance with:
EN60745-1:2009+A11:2010, EN60745-2-11:2010

These products also comply with Directive
2006/42/EC, 2014/30/EU and 2011/65/EU.

For more information, please contact Black & Decker at the following address or refer to the back of the manual.

The undersigned is responsible for compilation of the technical file and makes this declaration on behalf of
Black & Decker.

Ray Laverick
Director of Engineering
Black & Decker Europe, 210 Bath Road, Slough,
Berkshire, SL1 3YD
United Kingdom
26/10/2018

Garantie

Black & Decker is confident of the quality of its products and offers consumers a 24 month guarantee from the date of purchase. This guarantee is in addition to and in no way prejudices your statutory rights. The guarantee is valid within the territories of the Member States of the European Union and the European Free Trade Area.

To claim on the guarantee, the claim must be in accordance with Black & Decker Terms and Conditions and you will need to submit proof of purchase to the seller or an authorised repair agent. Terms and conditions of the Black&Decker 2 year guarantee and the location of your nearest authorised repair agent can be obtained on the Internet at www.2helpU.com, or by contacting your local Black & Decker office at the address indicated in this manual.

Please visit our website www.blackanddecker.co.uk to register your new Black & Decker product and receive updates on new products and special offers.

Verwendungszweck

Ihre BLACK+DECKER BDCR18 Stichsäge wurde zum Sägen von Holz, Kunststoff und Metallblechen. Dieses Gerät ist nicht für den gewerblichen Einsatz bestimmt.

Sicherheitshinweise

Allgemeine Sicherheitswarnungen für das Gerät



Warnung! Lesen Sie alle Sicherheitswarnhinweise und alle Anweisungen. Die Nichteinhaltung der folgenden Warnungen und Anweisungen kann einen elektrischen Schlag, Brand und/oder schwere Verletzungen verursachen.

Bewahren Sie alle Sicherheitswarnungen und Anweisungen gut auf. Der nachfolgend verwendete Begriff "Gerät" bezieht sich auf netzbetriebene Geräte (mit Netzkabel) und auf akkubetriebene Geräte (ohne Netzkabel).

1. Sicherheit im Arbeitsbereich

- a. **Halten Sie Ihren Arbeitsbereich sauber und gut ausgeleuchtet.** Unaufgeräumte oder dunkle Bereiche begünstigen Unfälle.
- b. **Betreiben Sie das Gerät nicht in Umgebungen, in denen Explosionsgefahr z. B. aufgrund von brennbaren Flüssigkeiten, Gasen oder Staub besteht.** Geräte erzeugen Funken, die den Staub oder die Dämpfe entzünden können.
- c. **Halten Sie Kinder und andere Personen während der Benutzung eines Geräts fern.** Bei Ablenkung können Sie die Kontrolle verlieren.

2. Elektrische Sicherheit

- a. **Der Netzstecker des Geräts muss in die Steckdose passen. Ändern Sie niemals den Stecker in irgendeiner Form. Verwenden Sie keinerlei Adapterstecker an geerdeten Elektrogeräten.** Unveränderte Stecker und passende Steckdosen mindern die Gefahr eines elektrischen Schlages.
- b. **Vermeiden Sie Körperkontakt mit geerdeten Oberflächen von Röhren, Heizungen, Herden und Kühlschränken.** Es besteht eine erhöhte Gefahr für einen elektrischen Schlag, wenn Ihr Körper geerdet ist.
- c. **Halten Sie Geräte von Regen und Nässe fern.** Das Eindringen von Wasser in ein Gerät erhöht das Risiko eines elektrischen Schlages.
- d. **Verwenden Sie das Kabel ordnungsgemäß. Verwenden Sie das Kabel niemals zum Tragen. Trennen Sie das Gerät nicht durch Ziehen am Kabel oder Abziehen des Ladegeräts vom Strom. Halten Sie das Kabel fern von Hitze, Öl, scharfen Kanten oder beweglichen Teilen.** Beschädigte oder verhedderte Kabel erhöhen die Gefahr eines elektrischen Schlages.

- e. **Verwenden Sie nur für den Außenbereich zugelassene Verlängerungskabel, wenn Sie mit dem Gerät im Freien arbeiten.** Die Verwendung eines für den Außenbereich geeigneten Verlängerungskabels verringert das Risiko eines elektrischen Schlags.
- f. **Wenn das Gerät in einer feuchten Umgebung verwendet werden muss, schließen Sie es unbedingt an eine Steckdose mit Fehlerstromschutzschalter (FI-Schalter) an.** Ein Fehlerstromschutzschalter verringert das Risiko eines elektrischen Schlags.
3. **Sicherheit von Personen**
- a. **Seien Sie aufmerksam, achten Sie darauf, was Sie tun, und gehen Sie sachgerecht mit einem Gerät um. Benutzen Sie kein Gerät, wenn Sie müde sind oder unter dem Einfluss von Drogen, Alkohol oder Medikamenten stehen.**
Ein Moment der Unachtsamkeit beim Betrieb eines Geräts kann zu schweren Verletzungen führen.
- b. **Verwenden Sie eine geeignete Schutzausrüstung. Tragen Sie immer einen Augenschutz.** Das Tragen persönlicher Schutzausrüstung, wie Staubmaske, rutschfeste Sicherheitsschuhe, Schutzhelm oder Gehörschutz, je nach Art und Einsatz des Geräts, verringert das Risiko von Verletzungen.
- c. **Vermeiden Sie eine unbeabsichtigte Inbetriebnahme. Vergewissern Sie sich, dass das Gerät ausgeschaltet ist, bevor Sie es an eine Steckdose oder einen Akku anschließen, es hochheben oder tragen.** Wenn Sie beim Tragen des Geräts den Finger am Schalter haben oder das Gerät eingeschaltet an die Stromversorgung anschließen, kann dies zu Unfällen führen.
- d. **Entfernen Sie Einstell- oder Schraubenschlüssel, bevor Sie das Gerät einschalten.** Werkzeuge oder Schlüssel, die an rotierenden Teilen des Geräts angebracht sind, können zu Verletzungen führen.
- e. **Beugen Sie sich nicht zu weit nach vorne. Sorgen Sie für einen sicheren Stand und halten Sie jederzeit das Gleichgewicht.** Dadurch können Sie das Gerät in un erwarteten Situationen besser kontrollieren.
- f. **Tragen Sie geeignete Kleidung. Tragen Sie keine weite Kleidung und keinen Schmuck. Halten Sie Ihre Haare, Kleidung und Handschuhe von beweglichen Teilen fern.** Lose sitzende Kleidung, Schmuck oder lange Haare können sich in den beweglichen Teilen verfangen.
- g. **Falls Vorrichtungen zum Absaugen oder Auffangen von Staub vorhanden sind, vergewissern Sie sich, dass diese angeschlossen sind und richtig verwendet werden.** Das Verwenden einer Staubauffangvorrichtung verringert Gefährdungen durch Staub.
- h. **Vermeiden Sie, durch die häufige Nutzung des Werkzeugs in einen Trott zu verfallen und Prinzipien für die Werkzeugsicherheit zu ignorieren.** Eine unachtsame Aktion kann im Bruchteil einer Sekunde zu schweren Verletzungen führen.
4. **Gebrauch und Pflege von Geräten**
- a. **Überlasten Sie das Gerät nicht. Verwenden Sie das für Ihre Arbeit passende Gerät.** Das richtige Gerät wird die Aufgabe besser und sicherer erledigen, wenn es bestimmungsgemäß verwendet wird.
- b. **Verwenden Sie das Gerät nicht, wenn der Ein-/Ausschalter nicht funktioniert.** Ein Gerät, das sich nicht mehr ein- oder ausschalten lässt, ist gefährlich und muss repariert werden.
- c. **Ziehen Sie den Stecker aus der Steckdose, oder trennen Sie das Gerät vom Akku, bevor Sie Einstellungen vornehmen, Zubehörteile wechseln oder das Gerät lagern.** Diese Vorbeugemaßnahmen mindern die Gefahr, dass das Elektrogerät unbeabsichtigt startet.
- d. **Bewahren Sie unbenutzte Geräte außerhalb der Reichweite von Kindern auf. Lassen Sie Geräte nicht von Personen benutzen, die damit nicht vertraut sind oder diese Anweisungen nicht gelesen haben.** Geräte sind in den Händen nicht geschulter Personen gefährlich.
- e. **Halten Sie das Gerät in einem einwandfreien Zustand. Kontrollieren Sie, ob bewegliche Teile falsch ausgerichtet sind oder klemmen und ob Teile gebrochen oder so beschädigt sind, dass die Funktion des Geräts beeinträchtigt ist. Bei Beschädigungen lassen Sie das Gerät reparieren, bevor Sie es verwenden.** Viele Unfälle entstehen wegen mangelnder Wartung der Geräte.
- f. **Halten Sie Schneidgeräte scharf und sauber.** Richtig gewartete Schneidwerkzeuge mit scharfen Klingen blockieren seltener und sind leichter unter Kontrolle zu halten.
- g. **Verwenden Sie Geräte, Zubehör, Einsätze usw. entsprechend diesen Anweisungen und berücksichtigen Sie dabei die Arbeitsbedingungen und die auszuführende Arbeit.** Der Gebrauch von Geräten für andere als die vorgesehenen Zwecke kann zu gefährlichen Situationen führen.
- h. **Halten Sie die Griffe trocken, sauber und frei von Öl und Fett.** Rutschige Griffe und Oberflächen unterbinden die sichere Bedienbarkeit und Kontrolle über das Werkzeug in unerwarteten Situationen.
5. **Gebrauch und Pflege von Akkuwerkzeugen**
- a. **Laden Sie den Akku nur mit dem vom Hersteller vorgesehenen Ladegerät auf.** Für ein Ladegerät, das nur für eine bestimmte Akkuartart geeignet ist, besteht Brandgefahr, wenn es mit anderen Akkus verwendet wird.

- b. **Verwenden Sie nur die für das jeweilige Gerät vorgesehenen Akkus.** Die Verwendung anderer Akkus kann zu Verletzungen oder Bränden führen.
- c. **Bewahren Sie den Akku bei Nichtbenutzung nicht in der Nähe metallischer Objekte wie Büroklammern, Münzen, Schlüsseln, Nägeln oder Schrauben auf, da diese eine Verbindung zwischen beiden Polen des Akkus herstellen können.** Durch den dadurch entstehenden Kurzschluss kann der Akku in Brand geraten.
- d. **Bei falscher Anwendung kann Flüssigkeit aus dem Akku austreten. Vermeiden Sie den Kontakt damit. Bei unbeabsichtigtem Kontakt mit Wasser abspülen. Gelangt die Flüssigkeit in die Augen, ziehen Sie außerdem ärztliche Hilfe hinzu.** Austretende Akkuflüssigkeit kann zu Hautreizungen oder Verbrennungen führen.
- e. **Verwenden Sie keine Akkus oder Werkzeuge, die beschädigt sind oder modifiziert wurden.** Beschädigte oder modifizierte Akkus können sich unvorhersehbar verhalten und stellen ein Risiko von Feuer, Explosionen oder Verletzungen dar.
- f. **Setzen Sie Akkus und Werkzeuge keinem Feuer oder extremen Temperaturen aus.** Die Einwirkung von Feuer oder Temperaturen über 130°C kann zu Explosionen führen.
- g. **Befolgen Sie alle Anweisungen zum Aufladen und laden Sie den Akku oder das Werkzeug nicht jenseits des in der Anleitung angegebenen Temperaturbereichs auf.** Das falsche Aufladen oder das Aufladen bei Temperaturen jenseits des angegebenen Bereichs kann den Akku beschädigen und das Brandrisiko erhöhen.
6. **Service**
- a. **Lassen Sie das Gerät nur von qualifiziertem Fachpersonal und nur mit Originalersatzteilen reparieren.** Damit wird sichergestellt, dass die Sicherheit des Geräts erhalten bleibt.
- b. **Führen Sie an beschädigten Akkus niemals Wartungsarbeiten durch.** Die Wartung von Akkus darf nur vom Hersteller oder von autorisierten Dienstleistern durchgeführt werden.

Zusätzliche Sicherheitswarnungen für das Gerät



Achtung! Zusätzliche Sicherheitswarnungen für Handsägen.

- ◆ **Halten Sie das Gerät an den isolierten Griffflächen fest, wenn Sie Arbeiten ausführen, bei denen verdeckte Kabel durch Werkzeuge beschädigt werden könnten.** Der Kontakt mit stromführenden Leitungen

kann auch offenliegende Metallteile am Gerät unter Strom setzen und zu einem Stromschlag führen.

- ◆ **Halten Sie das Gerät an den isolierten Griffflächen fest, wenn Sie Arbeiten ausführen, bei denen verdeckte Kabel beschädigt werden könnten.** Der Kontakt mit stromführenden Leitungen kann auch offenliegende Metallteile am Gerät unter Strom setzen und zu einem Stromschlag führen.
- ◆ **Fixieren Sie das Werkstück mit Zwingen oder ähnlichen Hilfsmitteln auf einer stabilen Oberfläche.** Ein Werkstück, das mit der Hand oder gegen den Körper gehalten wird, ist unzureichend befestigt und kann leicht außer Kontrolle geraten.
- ◆ **Halten Sie Ihre Hände von der Schneidzone fern.** Greifen Sie niemals unter das zu schneidende Werkstück. Bewegen Sie Ihre Finger nicht in die Nähe des sich bewegenden Sägeblattes und dessen Klemme. Versuchen Sie nicht, die Säge zu stabilisieren, indem Sie diese am Sägeschuh halten.
- ◆ **Halten Sie die Sägeblätter scharf.** Stumpfe oder beschädigte Sägeblätter können dazu führen, dass die Säge unter Druck blockiert oder ausbricht. Verwenden Sie immer ein für das jeweilige Werkstück und die Art des Schnittes geeignetes Sägeblatt.
- ◆ **Achten Sie beim Sägen von Rohren oder Leitungen darauf, dass diese frei von Wasser, Stromkabeln und Ähnlichem sind.**
- ◆ **Berühren Sie das Werkstück oder das Sägeblatt nicht direkt nach dem Gebrauch.** Beides kann sehr heiß werden.
- ◆ **Achten Sie auch auf nicht sichtbare Gefahren, wenn Sie in Wände, Böden oder Decken sägen.** Prüfen Sie diese Stellen auf dahinterliegende Kabel oder Rohre.
- ◆ **Das Sägeblatt bewegt sich auch dann noch, wenn Sie den Schalter losgelassen haben.** Schalten Sie das Gerät vor dem Ablegen stets aus, und warten Sie, bis das Sägeblatt zum Stillstand gekommen ist.

Achtung! Die bei Verwendung des Geräts auftretende Vibrationsemission hängt von der Art des Gerätegebrauchs ab und kann dementsprechend von dem angegebenen Wert abweichen. Gegebenenfalls kann die Vibration über dem angegebenen Wert liegen.

- ◆ In dieser Anleitung ist die bestimmungsgemäße Verwendung beschrieben. Die Verwendung von Zubehör oder Anbauteilen, die nicht in dieser Anleitung empfohlen sind, sowie die Bedienung des Geräts in Abweichung von den in dieser Anleitung beschriebenen Verfahren können zu Verletzungen und/oder Sachschäden führen.

Zusätzliche Sicherheitswarnungen für das Gerät



Warnung! Zusätzliche Sicherheitswarnungen für Stichsägen und Säbelsägen

- ◆ **Halten Sie das Elektrowerkzeug an den isolierten Griffflächen, wenn Arbeiten durchgeführt werden, bei denen durch das Zubehör verdeckte Kabel beschädigt werden könnten.** Der Kontakt mit stromführenden Leitungen kann auch offen liegende Metallteile am Gerät unter Strom setzen und zu einem Stromschlag führen.
- ◆ **Verwenden Sie Klemmen oder eine andere geeignete Methode, um das Werkstück auf einer stabilen Plattform zu sichern.** Das Werkstück ist instabil, wenn es mit der Hand oder dem Körper abgestützt wird, was zum Verlust der Kontrolle führen kann.
- ◆ **Halten Sie Ihre Hände von der Schneidzone fern.** Greifen Sie niemals unter das zu schneidende Werkstück. Bewegen Sie Ihre Finger nicht in die Nähe des rotierenden Sägeblatts und der Sägeblattklemme. Versuchen Sie nicht, die Säge zu stabilisieren, indem Sie diese am Schuh halten.
- ◆ **Halten Sie die Sägeblätter scharf.** Durch stumpfe oder beschädigte Sägeblätter kann die Säge plötzlich ausbrechen oder festklemmen, wenn Druck auf sie ausgeübt wird. Verwenden Sie immer ein geeignetes Sägeblatt, das dem Material des Werkstücks und der Art des Schnitts entspricht.
- ◆ **Beim Sägen von Rohren oder Leitungen ist sicherzustellen, dass sich darin kein Wasser, keine Stromkabel usw. befinden.**
- ◆ **Berühren Sie das Werkstück oder das Sägeblatt nicht direkt nach dem Gebrauch.** Sie können sehr heiß werden.
- ◆ **Prüfen Sie vor dem Bohren in Wände, Fußböden oder Decken diese Stellen auf dahinter liegende Kabel oder Rohre.**
- ◆ **Das Sägeblatt bewegt sich auch dann noch, wenn Sie den Schalter losgelassen haben.** Schalten Sie das Gerät vor dem Ablegen stets aus, und warten Sie, bis das Sägeblatt zum Stillstand gekommen ist.

Warnung! Die Berührung und das Einatmen von Stäuben, die beim Sägen von Materialien entstehen, können beim Bediener und bei Umstehenden gesundheitliche Schäden verursachen. Tragen Sie eine speziell für den Schutz vor Staub und Dämpfen vorgesehene Staubmaske, und stellen Sie sicher, dass auch andere Personen entsprechend geschützt sind, die den Arbeitsplatz betreten oder sich dort aufhalten.

- ◆ Die bestimmungsgemäße Verwendung ist in dieser Betriebsanleitung beschrieben.
- ◆ Bei Verwendung von Zubehör oder Anbauteilen, die nicht in dieser Anleitung empfohlen werden, sowie bei einer nicht den in dieser Anleitung beschriebenen Verfahren entsprechenden Verwendung des Geräts besteht die Gefahr von Verletzungen und/oder Sachschäden.

Sicherheit anderer Personen

Lassen Sie diese Maschine niemals von Kindern, Personen mit eingeschränkten körperlichen, sensorischen oder geistigen Fähigkeiten oder mangelnder Erfahrung und Wissen in Bezug auf diese Anweisungen bedienen, beachten Sie lokale Richtlinien, in denen unter Umständen ein Mindestalter für den Bediener festgelegt ist.

Restrisiken

Beim Gebrauch dieses Geräts verbleiben zusätzliche Restrisiken, die möglicherweise nicht in den Sicherheitswarnungen genannt werden. Diese Risiken bestehen beispielsweise bei Missbrauch oder längerem Gebrauch.

Auch bei der Einhaltung der entsprechenden Sicherheitsvorschriften und der Verwendung aller Sicherheitsgeräte bestehen weiterhin bestimmte Restrisiken. Diese sind:

- ◆ Verletzungen, die durch das Berühren von sich drehenden/bewegenden Teilen verursacht werden.
- ◆ Verletzungen, die durch das Austauschen von Teilen, Messern oder Zubehör verursacht werden.
- ◆ Der längere Gebrauch eines Geräts kann Verletzungen zur Folge haben. Legen Sie bei längerem Gebrauch regelmäßige Pausen ein.
- ◆ Schwerhörigkeit.
- ◆ Gesundheitsrisiken durch das Einatmen von Staub beim Gebrauch des Geräts (z. B. bei Holzarbeiten, insbesondere Eiche, Buche und Pressspan).

Vibration

Die in den Abschnitten "Technische Daten" und "EU-Konformitätserklärung" angegebenen Werte für die Vibrationsemission wurden mit einer Standard-Prüfmethode nach EN60745 ermittelt und können zum Vergleich verschiedener Geräte herangezogen werden. Außerdem kann mit Hilfe dieses Werts die Belastung bei Verwendung des Geräts schon im Voraus eingeschätzt werden.

Warnung! Die bei Verwendung des Geräts auftretende Vibrationsemission hängt von der Art des Gerätegebrauchs ab und kann dementsprechend von dem angegebenen Wert abweichen. Gegebenenfalls kann die Vibration über dem angegebenen Wert liegen.

Für die Ermittlung der Vibrationsbelastung müssen die tatsächlichen Einsatzbedingungen und Verwendungen des Geräts während des gesamten Arbeitsgangs berücksichtigt werden, einschließlich der Zeiten, wenn das Gerät nicht verwendet oder im Leerlauf betrieben wird. Diese Werte werden benötigt, um die gemäß 2002/44/EG erforderlichen Sicherheitsmaßnahmen zum Schutz von Personen festlegen zu können.

Warnsymbole am Gerät

Am Gerät sind die folgenden Warnsymbole inkl. Datumscode angebracht:



Achtung! Lesen Sie vor Gebrauch die Anleitung. Andernfalls besteht Verletzungsgefahr.

Zusätzliche Sicherheitshinweise für Akkus und Ladegeräte (wo geliefert)

Akkus

- ◆ Auf keinen Fall öffnen.
- ◆ Achten Sie darauf, dass der Akku nicht mit Wasser in Berührung kommt.
- ◆ Nicht bei Temperaturen über 40 °C lagern.
- ◆ Laden Sie den Akku nur bei Umgebungstemperaturen von 10 °C bis 40 °C.
- ◆ Verwenden Sie ausschließlich das mitgelieferte Ladegerät.
- ◆ Beachten Sie bei der Entsorgung von Akkus die Hinweise im Abschnitt "Umweltschutz".



Versuchen Sie nie, beschädigte Akkus aufzuladen.

Ladegeräte

- ◆ Verwenden Sie das BLACK+DECKER Ladegerät nur für den Akku des Werkzeugs, mit dem es geliefert wurde. Andere Akkus könnten platzen und Sachschäden oder Verletzungen verursachen.
- ◆ Versuchen Sie keinesfalls, nicht aufladbare Batterien zu laden.
- ◆ Lassen Sie beschädigte Kabel sofort austauschen.
- ◆ Achten Sie darauf, dass das Ladegerät nicht mit Wasser in Berührung kommt.
- ◆ Versuchen Sie nicht, das Ladegerät zu öffnen.
- ◆ Nehmen Sie am Ladegerät keine Veränderungen vor.



Das Ladegerät darf nur im Innenbereich verwendet werden.



Vor Gebrauch die Anleitung lesen

Elektrische Sicherheit



Das Ladegerät ist schutzisoliert, daher ist keine Erdleitung erforderlich. Stellen Sie sicher, dass die Netzspannung der auf dem Typenschild des Geräts angegebenen Spannung entspricht. Ersetzen Sie das Ladegerät keinesfalls durch ein normales Netzkabel.

- ◆ Bei einer Beschädigung des Netzkabels muss dieses durch den Hersteller oder eine BLACK+DECKER Vertragswerkstatt ausgetauscht werden, um mögliche Gefahren zu vermeiden.

Merkmale

Dieses Gerät verfügt über einige oder alle der folgenden Merkmale:

1. Ein-/Ausschalter
2. Einschaltsperr
3. Sägeschuh
4. Hebel zum Lösen der Sägeblattklemme
5. Sägeblatt
6. Akku (wo geliefert)
7. Akku-Entriegelungstaste
8. Hauptgriff
9. Zusatzgriff

Abbildung D (wo geliefert)

10. Ladegerät

Montage

Achtung! Nehmen Sie vor der Montage den Akku aus dem Gerät, und stellen Sie sicher, dass das Sägeblatt zum Stillstand gekommen ist. Nach der Verwendung kann das Sägeblatt heiß sein.

Einsetzen des Sägeblatts (Abb. A)

- ◆ Halten Sie das Gerät auf Abstand zum Körper.
- ◆ Öffnen Sie den Hebel der Sägeblattklemme (4) vollständig.
- ◆ Führen Sie den Schaft des Sägeblatts von der Vorderseite aus ein.
- ◆ Schließen Sie den Hebel zum Lösen der Sägeblattklemme (4). Vergewissern Sie sich, dass das Blatt (5) sicher fixiert ist.

Hinweis: Das Sägeblatt kann mit den Sägezähnen nach oben angebracht werden, um bündiges Sägen zu ermöglichen (Abb. G).

Entfernen des Sägeblatts

Achtung! Berühren Sie das Sägeblatt nicht unmittelbar nach der Verwendung. Nach der Verwendung kann das Sägeblatt heiß sein.

- ◆ Öffnen Sie den Hebel der Sägeblattklemme (4) vollständig.
- ◆ Entfernen Sie das Sägeblatt.

Einschaltsperr

Das Gerät verfügt über eine Einschaltsperr, um unbeabsichtigtes Einschalten zu verhindern.

- ◆ Drücken Sie die Einschaltsperr (2), und drücken Sie anschließend den Ein-/Ausschalter (1), um das Gerät einzuschalten.
- ◆ Lassen Sie zum Ausschalten des Geräts den Ein-/Ausschalter (1) los.

Einsetzen und Entfernen des Akkus (Abb. B und C)

- ◆ Um den Akku (6) einzusetzen, richten Sie ihn an der Aufnahme am Gerät aus. Schieben Sie den Akku in die Aufnahme, bis er in der richtigen Position einrastet (Abb. B).
- ◆ Um den Akku (6) zu entnehmen, drücken Sie die Entriegelungstaste (7) des Akkus, und schieben gleichzeitig den Akku aus der Aufnahme des Geräts (Abb. C).

Gebrauch

Achtung! Beschleunigen Sie den Arbeitsvorgang nicht mit Gewalt. Vermeiden Sie eine Überlastung des Geräts.

Laden des Akkus (Abb. D)

Der Akku muss vor der erstmaligen Benutzung sowie immer dann aufgeladen werden, wenn das Gerät nicht mehr mit voller Leistung arbeitet. Während des Ladevorgangs kann der Akku warm werden. Das ist normal.

Achtung! Laden Sie den Akku nicht, wenn die Umgebungstemperatur unter 10 °C oder über 40 °C liegt. Empfohlene Ladetemperatur: etwa 24 °C.

Hinweis: Ein Akku, bei dem die Temperatur der Batteriezellen unter ca. 10 °C oder über 40 °C liegt, wird vom Ladegerät nicht geladen. Lassen Sie den Akku im Ladegerät. Das Ladegerät beginnt automatisch mit dem Ladevorgang, sobald sich die Batteriezellen erwärmen bzw. abkühlen.

- ◆ Setzen Sie den Akku (6) in das Ladegerät (10) ein, um diesen zu laden. Der Akku kann nur in einer Ausrichtung in das Ladegerät eingesetzt werden. Gehen Sie nicht mit Gewalt vor. Achten Sie darauf, dass der Akku ordnungsgemäß in das Ladegerät eingesetzt ist.
- ◆ Schließen Sie das Ladegerät an eine Steckdose an, und schalten Sie die Stromversorgung ein.

Die grüne Ladeanzeige blinkt grün.

Der Ladevorgang ist abgeschlossen, wenn die grüne Ladeanzeige dauerhaft leuchtet. Der Akku kann beliebig lange im Ladegerät eingesetzt bleiben. Die grüne Ladeanzeige leuchtet auf, wenn der Akku gelegentlich nachgeladen wird.

- ◆ Ein entladener Akku sollte innerhalb einer Woche wieder aufgeladen werden. Die Lebensdauer des Akkus wird erheblich reduziert, wenn dieser in entladener Zustand aufbewahrt wird.

Belassen des Akkus im Ladegerät

Sie können den Akku auf im Ladegerät belassen. In diesem Fall leuchtet die grüne Ladeanzeige dauerhaft. Das Ladegerät hält den Akku in einem vollständig geladenen Zustand.

Ein- und Ausschalten

- ◆ Drücken Sie die Einschaltsperr (2), und drücken Sie anschließend den Ein-/Ausschalter (1), um das Gerät einzuschalten.

- ◆ Lassen Sie zum Ausschalten des Geräts den Ein-/Ausschalter (1) los.

Sägen (Abb. E)

- ◆ Halten Sie das Gerät immer mit beiden Händen (Abb. E).
- ◆ Lassen Sie das Sägeblatt (5) einige Sekunden freischwingen, bevor Sie mit der Arbeit beginnen.
- ◆ Üben Sie während des Sägens nur einen geringen Druck auf das Gerät aus.
- ◆ Drücken Sie den Sägeblattschuh (3) wenn möglich gegen das Werkstück. So erhalten Sie eine bessere Kontrolle über das Werkzeug, reduzieren die Vibrationen und verhindern, dass das Sägeblatt beschädigt wird.

Hinweise für optimale Arbeitsergebnisse

Sägen von Holz (Abb. F)

- ◆ Spannen Sie das Werkstück sicher ein, und entfernen Sie sämtliche Nägel sowie andere metallische Objekte.
- ◆ Halten Sie das Werkzeug mit beiden Händen, und drücken Sie den Sägeblattschuh (3) gegen das Werkstück.

Bündiges Sägen (Abb. G)

Dank des kompakten Designs des Motorgehäuses der Säge und des kippbaren Sägeblattschuhs (3) kann die Säge auch sehr nah an Fußböden, Ecken und anderen schwierigen Arbeitsbereichen verwendet werden.

So erzielen Sie beim bündigen Sägen die besten Ergebnisse und Leistungen:

- ◆ Setzen Sie den Schaft des Sägeblatts mit den Sägezähnen nach oben in die Sägeblattklemme ein.
- ◆ Stellen Sie den Winkel des Gerätegriffs so ein, dass Sie dieses so nah am Werkstück wie möglich halten.

Sägen von Metall (Abb. H)

- ◆ Verwenden Sie ein Sägeblatt, das zum Sägen von Metall geeignet ist. Verwenden Sie bei eisenhaltigen Metallen ein Sägeblatt mit feinen Zähnen und bei Buntmetallen ein grobes Sägeblatt.
- ◆ Spannen Sie dünne Metallbleche zum Sägen auf eine Holz- oder Pressspanplatte.
- ◆ Bringen Sie einen dünnen Ölfilm entlang der beabsichtigten Schnittlinie auf.

Eintauchschnitte (Taschenschnitte) in Holz (Abb. I)

- ◆ Messen und markieren Sie den notwendigen Eintauchschnitt.
- ◆ Verwenden Sie ein für Eintauchschnitte geeignetes Sägeblatt.
- ◆ Legen Sie den Sägeblattschuh (3) so auf dem Werkstück ab, das ein für den Eintauchschnitt geeigneter Winkel entsteht.

- ◆ Schalten Sie das Werkzeug ein, und sägen Sie langsam in das Werkstück hinein. Achten Sie darauf, dass der Sägeblattschuh (3) jederzeit Kontakt zum Werkstück hat.

Schneiden von Ästen

Mit diesem Werkzeug können Sie Äste bis zu einem Durchmesser von 25 mm sägen.

Achtung! Verwenden Sie die Säge nicht, wenn Sie sich in einem Baum, auf einer Leiter oder auf einer anderen instabilen Fläche befinden. Schätzen Sie die Richtung ab, in die der Ast fallen kann.

- ◆ Schneiden Sie nach unten und vom Körper weg.
- ◆ Führen Sie den Schnitt nah an einem dicken Ast oder am Stamm durch.

Vertikales Sägen

Sie können mit dem Werkzeug auch sehr nah an Ecken oder anderen schwierigen Arbeitsbereichen sägen.

- ◆ Setzen Sie den Schaft des Sägeblatts mit den Sägezähnen nach oben in den Sägeblatthalter ein.
- ◆ Halten Sie das Werkzeug mit dem Sägeblattschuh (3) nach unten und so nah am Werkstück wie möglich.
- ◆ Schneiden Sie nach vorne und vom Körper weg.

Zubehörteile

Das verwendete Zubehör hat wesentlichen Einfluss auf die Leistung des Geräts.

Zubehörteile von BLACK+DECKER erfüllen höchste Qualitätsstandards und wurden speziell für die Verwendung mit Ihrem Gerät entwickelt. Bei Verwendung dieses Zubehörs erhalten Sie stets optimale Ergebnisse.

Sägeblätter

Sie können bis zu 30 cm lange Sägeblätter mit dieser Säge verwenden. Verwenden Sie dennoch immer ein Sägeblatt, das so kurz wie möglich ist. Je länger das Sägeblatt ist, desto größer ist die Wahrscheinlichkeit, dass es sich während der Benutzung verbiegt oder dabei beschädigt wird. Längere Sägeblätter können darüber hinaus auch stark vibrieren oder rütteln, wenn die Säge nicht nah genug am Werkstück geführt wird.

Wartung

Ihr BLACK+DECKER Gerät wurde im Hinblick auf eine lange Lebensdauer und einen möglichst geringen Wartungsaufwand entwickelt. Ein dauerhafter, einwandfreier Betrieb setzt eine regelmäßige Pflege und Reinigung voraus.

Das Ladegerät benötigt keine Wartung, es sollte jedoch regelmäßig gereinigt werden.

Achtung! Entfernen Sie vor jeglichen Wartungsarbeiten am Gerät den Akku aus dem Gerät. Trennen Sie das Ladegerät von der Stromversorgung, bevor Sie es reinigen.

- ◆ Reinigen Sie regelmäßig die Lüftungsschlitze des Geräts und des Ladegeräts mit einer weichen Bürste oder einem trockenen Tuch.
- ◆ Reinigen Sie regelmäßig das Motorgehäuse mithilfe eines feuchten Tuchs. Verwenden Sie keine scheuernden Reinigungsmittel oder Reinigungsmittel auf Lösungsmittelbasis.
- ◆ Öffnen Sie regelmäßig das Bohrfutter, und entfernen Sie durch Klopfen Staub aus dem Inneren des Geräts.

Umweltschutz



Getrennte Entsorgung. Produkte und Akkus mit diesem Symbol dürfen nicht mit dem normalen Hausmüll entsorgt werden.

Produkte und Akkus enthalten Materialien, die wiederverwertet werden können, um den Bedarf an Rohstoffen zu verringern. Bitte recyceln Sie elektrische Produkte und Akkus gemäß den örtlichen Bestimmungen. Weitere Informationen finden Sie auf www.2helpU.com

Technische Daten

		BDCR18 (H1)
Eingangsspannung	V_{DC}	18
Leerlaufdrehzahl	Min^{-1}	0-3000
Hublänge	mm	22
Gewicht	kg	1.5

Ladegerät		905902**/ N4940**	905998**/ 906349**
Eingangsspannung	V_{AC}	100-240	220-240
Ausgangsspannung	V_{DC}	8-20	8-20
Strom	mA	400	1000
Geschätzte Ladedauer	Stunden	3-11	1.5-5

Akku (wo geliefert)		BL2018*	BL1518*	BL2518*	BL4018
Voltage	V_{DC}	18	18	18	18
Capacity	Ah	2.0	1.5	2.5	4.0
Type		Li-Ion	Li-Ion	Li-Ion	Li-Ion

Schalldruckpegel gemäß EN 60745:

Schalldruck (L_{pA}) 79.5 dB(A), Unsicherheitsfaktor (K) 3 dB(A)

Schalleistung (L_{WA}) 90.5 dB(A), Unsicherheitsfaktor (K) 3 dB(A)

Gesamtvibration (Triax-Vektorsumme) gemäß EN 60745:

Schneiden von Brettern (a_{hB}) 17.9 m/s^2 , Unsicherheitsfaktor (K) 1.5 m/s^2

Schneiden von Holzbalken (a_{hWB}) 19.7 m/s^2 , Unsicherheitsfaktor (K) 1.5 m/s^2

EU-Konformitätserklärung

MASCHINENRICHTLINIE



BDCR18 – Stichsäge

Black & Decker erklärt, dass die in den technischen Daten beschriebenen Geräte übereinstimmen mit:

EN60745-1:2009+A11:2010, EN60745-2-11:2010

Diese Produkte entsprechen außerdem der Richtlinie 2006/42/EG, 2014/30/EU und 2011/65/EU.

Weitere Informationen erhalten Sie von Black & Decker unter der folgenden Adresse. Diese befindet sich auch auf der Rückseite dieser Anleitung.

Der Unterzeichnete ist verantwortlich für die Zusammenstellung der technischen Daten und gibt diese Erklärung im Namen von Black & Decker ab.

Ray Laverick
Director of Engineering
Black & Decker Europe, 210 Bath Road, Slough,
Berkshire, SL1 3YD
Vereinigtes Königreich
26/10/2018

Garantie

Black & Decker vertraut auf die Qualität der eigenen Geräte und bietet dem Käufer eine außergewöhnliche Garantie von 24 Monaten ab Kaufdatum. Diese Garantie versteht sich unbeschadet der gesetzlichen Gewährleistungsansprüche und schränkt diese keinesfalls ein. Diese Garantie gilt innerhalb der Staatsgebiete der Mitgliedstaaten der Europäischen Union und der Europäischen Freihandelszone.

Zur Inanspruchnahme dieser Garantie muss sie den allgemeinen Geschäftsbedingungen von Black & Decker entsprechen und dem Verkäufer bzw. der Vertragswerkstatt ist ein Kaufnachweis vorzulegen. Die Bedingungen für die 2-jährige Garantie von Black&Decker und den Standort Ihrer nächstgelegenen Vertragswerkstatt finden Sie im Internet unter www.2helpU.com oder indem Sie sich an die lokale Black&Decker-Niederlassung wenden, deren Adresse Sie in dieser Anleitung finden.

Ihr neues Black & Decker Produkt können Sie auf unserer Website unter www.blackanddecker.de registrieren. Dort erhalten Sie auch Informationen über neue Produkte und Sonderangebote.

Utilisation prévue

Votre scie sauteuse BDCR18 BLACK+DECKER pour scier du bois, du métal et du plastique. Cet outil est exclusivement destiné à un usage domestique.

Consignes de sécurité

Avertissements de sécurité générale concernant les outils électriques



Avertissement ! Lisez tous les avertissements de sécurité et toutes les instructions. Le non-respect des avertissements et des instructions listés ci-dessous peut entraîner des chocs électriques, des incendies et/ou de graves blessures.

Conservez tous les avertissements et toutes les instructions afin de pouvoir vous y référer dans le futur. Le terme "outil électrique" mentionné dans tous les avertissements listés ci-dessous fait référence à vos outils électriques branchés sur secteur (avec câble) ou fonctionnant sur pile ou batterie (sans fil).

1. Sécurité de la zone de travail

- a. **Maintenez la zone de travail propre et bien éclairée.**
Les zones sombres ou encombrées sont propices aux accidents.
- b. **N'utilisez pas d'outils électriques dans un environnement présentant des risques d'explosion ou en présence de liquides, gaz ou poussières inflammables.** Les outils électriques créent des étincelles qui peuvent enflammer les poussières et les fumées.
- c. **Maintenez les enfants et autres personnes éloignés lorsque les outils électriques sont en marche.** Toute distraction peut vous faire perdre le contrôle de l'outil.

2. Sécurité électrique

- a. **La prise des outils électriques doit correspondre à la prise de courant murale. Ne modifiez jamais la prise d'aucune sorte. N'utilisez aucun adaptateur avec des outils électriques reliés à la terre.** L'utilisation de prises d'origine et de prises murales appropriées permet de réduire le risque de choc électrique.
- b. **Évitez tout contact physique avec des surfaces reliées à la terre comme des tuyaux, des radiateurs, des fours et des réfrigérateurs par exemple.** Le risque de choc électrique augmente lorsque votre corps est relié à la terre.
- c. **N'exposez pas les outils électriques à la pluie, ni à l'humidité.** Le risque de choc électrique augmente si de l'eau pénètre dans un outil électrique.
- d. **Ne tirez pas sur le cordon d'alimentation. N'utilisez pas le câble pour porter l'appareil, pour le tirer ou**

- pour le débrancher. Maintenez le cordon éloigné de la chaleur, de substances grasses, de bords tranchants ou de pièces mobiles. Les cordons endommagés ou emmêlés augmentent le risque de choc électrique.
- e. **Si vous utilisez un outil électrique à l'extérieur, utilisez une rallonge homologuée pour les travaux extérieurs.** L'utilisation d'une rallonge électrique homologuée pour les travaux en extérieur réduit le risque de choc électrique.
- f. **Si l'utilisation d'un outil électrique dans un endroit humide est inévitable, utilisez une alimentation électrique protégée par un disjoncteur différentiel à courant résiduel (DDR).** L'utilisation d'un DDR réduit le risque de choc électrique.
3. **Sécurité des personnes**
- a. **Restez vigilant, surveillez ce que vous faites et faites preuve de bon sens lorsque vous utilisez un outil électrique. N'utilisez pas d'outils électriques si vous êtes fatigué ou sous l'influence de drogue, d'alcool ou de médicaments.**
Tout moment d'inattention pendant l'utilisation d'un outil électrique peut engendrer de graves blessures.
- b. **Portez des équipements de protection individuelle. Portez toujours une protection oculaire.** Les équipements de protection comme les masques à poussière, les chaussures de sécurité antidérapantes, les casques ou les protections auditives, utilisés à bon escient, réduisent le risque de blessures.
- c. **Empêchez tout démarrage accidentel. Assurez-vous que l'interrupteur est en position Arrêt avant de raccorder l'outil à l'alimentation électrique et/ou au bloc-batterie ou avant de ramasser ou de transporter l'outil.** Le fait de transporter les outils électriques le doigt sur l'interrupteur ou d'alimenter les outils électriques dont l'interrupteur est déjà en position de marche augmente les accidents.
- d. **Retirez toutes les clés ou pinces de réglage avant de mettre l'outil en marche.** Une clé ou une pince restée fixée sur une pièce rotative de l'outil électrique peut engendrer des blessures.
- e. **Ne vous penchez pas. Gardez les pieds bien ancrés au sol et conservez votre équilibre en permanence.** Cela permet de mieux maîtriser l'outil électrique en cas de situations imprévues.
- f. **Portez des vêtements appropriés. Ne portez aucun vêtement ample ou bijou. Gardez vos cheveux, vos vêtements et vos gants éloignés des pièces mobiles.** Les vêtements amples, les bijoux ou les cheveux longs peuvent être happés par les pièces mobiles.
- g. **Si des dispositifs pour l'extraction des poussières ou des installations pour la récupération sont présents, assurez-vous qu'ils sont correctement raccordés et utilisés.** L'utilisation de dispositifs récupérateurs de poussières réduit les risques liés aux poussières.
- h. **Ne pensez pas être si familiarisé avec l'outil après l'avoir utilisé à de nombreuses reprises, au point de ne plus rester vigilant et d'en oublier les consignes de sécurité.** Toute action imprudente peut engendrer de graves blessures en une fraction de seconde.
4. **Utilisation et entretien des outils électriques**
- a. **Ne forcez pas sur l'outil électrique. Utilisez l'outil approprié en fonction du travail à réaliser.** Un outil adapté fonctionne mieux, de façon plus sûre et à la cadence pour laquelle il a été conçu.
- b. **N'utilisez pas l'outil électrique si son interrupteur ne permet plus de le mettre en marche et de l'éteindre.** Tout outil électrique qui ne peut plus être commandé par son interrupteur est dangereux et doit être réparé.
- c. **Débranchez la prise du secteur et/ou le bloc-batterie de l'outil électrique avant d'effectuer tout réglage, de changer un accessoire ou de ranger l'outil électrique.** Ces mesures de sécurité préventives réduisent le risque de démarrage accidentel de l'outil électrique.
- d. **Rangez les outils électriques non utilisés hors de portée des enfants et ne laissez aucune personne ne connaissant pas ces outils ou leurs instructions d'utilisation les faire fonctionner.** Les outils électriques peuvent être dangereux entre des mains inexpérimentées.
- e. **Entretenez vos outils électriques.**
Vérifiez que les pièces mobiles sont alignées correctement et qu'elles ne sont pas coincées.
Vérifiez qu'aucune pièce n'est cassée et contrôlez l'absence de toute autre condition qui pourrait nuire au bon fonctionnement de l'outil. En cas de dommage, faites réparer l'outil électrique avant de l'utiliser. De nombreux accidents sont provoqués par des outils électriques mal entretenus.
- f. **Maintenez les organes de coupe affûtés et propres.** Des organes de coupe bien entretenus et affûtés sont moins susceptibles de rester coincés et sont plus faciles à contrôler.
- g. **Utilisez les outils électriques, les accessoires et les embouts d'outil conformément à ces instructions, en tenant compte des conditions de travail, ainsi que du travail à effectuer.** L'utilisation d'un outil électrique à des fins autres que celles pour lesquelles il a été prévu engendre des situations dangereuses.
- h. **Veillez à ce que les poignées et les surfaces de préhension soient sèches et propres, sans trace d'huile ou de graisse.** Des poignées glissantes et des surfaces grasses ne permettent pas de manipuler ou de contrôler l'outil de façon sûre en cas de situation inattendue.

5. Utilisation et entretien de la batterie de l'outil

- a. **N'effectuez la recharge qu'à l'aide du chargeur spécifié par le fabricant.** Un chargeur adapté pour un type de bloc-batterie peut engendrer un risque d'incendie s'il est utilisé avec un bloc-batterie différent.
- b. **N'utilisez les outils électriques qu'avec les blocs-batteries qui leurs sont dédiés.** L'utilisation d'un autre bloc-batterie peut engendrer des blessures et un incendie.
- c. **Lorsque le bloc-batterie n'est pas utilisé, éloignez-le des objets en métal comme les trombones, les pièces de monnaies, les clés, les clous, les vis ou d'autres petits objets métalliques qui pourraient créer une liaison entre les deux bornes.** La mise en court-circuit des bornes d'une batterie peut provoquer des brûlures ou un incendie.
- d. **Dans des conditions extrêmes, du liquide peut être éjecté de la batterie. Évitez tout contact avec ce liquide. En cas de contact accidentel, rincez à l'eau. En cas de contact avec les yeux, consultez un médecin.** Le liquide projeté de la batterie peut provoquer des irritations ou des brûlures.
- e. **N'utilisez pas un bloc-batterie ou un outil endommagé ou modifié.** Une batterie endommagée ou altérée peut avoir un comportement imprévisible qui peut conduire à un incendie, une explosion ou un risque de blessure.
- f. **N'exposez pas le bloc-batterie ou l'outil au feu ou à des températures excessives.** L'exposition au feu ou à des températures dépassant 130 °C peut provoquer une explosion.
- g. **Respectez les instructions de charge et ne rechargez pas le bloc-batterie ou l'outil à une plage de températures hors de celle spécifiée dans les instructions.** Une charge mal effectuée ou à des températures hors de la plage spécifiée peut endommager la batterie et augmenter le risque d'incendie.

6. Réparation

- a. **Faites réparer votre outil électrique par une personne qualifiée, n'utilisant que des pièces de rechange d'origine.** Cela permet de garantir la sûreté de l'outil électrique.
- b. **Ne réparez jamais des blocs-batteries endommagés.** Les réparations sur les blocs-batteries ne doivent être effectuées que le fabricant ou l'un de ses prestataires de services agréés.

Consignes de sécurité supplémentaires concernant les outils électroportatifs



Avertissement ! Instructions de sécurité supplémentaires pour scies portatives

- u **Tenez l'outil électrique au niveau des surfaces de prise isolées lorsque vous l'utilisez dans des endroits où l'accessoire de coupe peut entrer en contact avec des fils cachés.** Tout contact de l'accessoire de coupe avec un fil « sous tension » pourrait transférer une charge électrique aux parties métalliques exposées de l'outil électrique et exposer l'opérateur à un choc électrique.
 - ◆ **Tenez l'outil électrique au niveau des surfaces de prise isolées lorsque vous l'utilisez à des endroits où la fixation pourrait entrer en contact avec des fils cachés.** En touchant un fil sous tension, la charge électrique passe dans les parties métalliques de l'outil électroportatif et il y a risque de choc électrique.
 - ◆ **Utilisez des pinces ou autres pour fixer et soutenir la pièce de manière stable.** Si vous la tenez à la main ou contre votre corps, elle ne sera pas stable et vous pouvez en perdre le contrôle.
 - ◆ **Éloignez vos mains des zones de découpe.** Ne cherchez jamais à atteindre le matériel par le dessous. Ne passez pas vos doigts ou pouces à proximité de la fixation de la lame et de la lame en mouvement. Ne cherchez pas à stabiliser la scie en attrapant la semelle.
 - ◆ **Maintenez les lames aiguisées.** Les lames émoussées ou endommagées peuvent faire déraiper ou bloquer la scie pendant le fonctionnement. Utilisez toujours le type approprié de lame correspondant au matériau de la pièce à couper.
 - ◆ **Avant de couper un tuyau ou une conduite, assurez-vous qu'il n'y a ni eau, ni fil électrique, etc. autour.**
 - ◆ **Ne touchez pas la pièce coupée ou la lame immédiatement après avoir utilisé l'outil.** Elles peuvent être très chaudes.
 - ◆ **Prenez garde aux dangers cachés. Avant de couper des murs, des planchers ou des plafonds, vérifiez l'emplacement des câblages et tuyaux.**
 - ◆ **Le va-et-vient de la lame continue après avoir relâché le bouton.** Après avoir arrêté la scie (Off), attendez que la lame se stabilise complètement avant de poser l'outil.
- Attention !** Selon la manière dont l'outil est utilisé, la valeur des émissions de vibration pendant l'utilisation de l'outil peut être différente de la valeur déclarée. Le niveau de vibration peut augmenter au-dessus du niveau établi.
- ◆ L'usage prévu de l'outil est décrit dans le présent manuel d'instructions. L'utilisation d'un accessoire ou d'une fixation, ou bien l'utilisation de cet outil à d'autres fins que celles recommandées dans ce manuel d'instructions peut entraîner des blessures et/ou des dommages matériels.

Consignes de sécurité supplémentaires liées aux outils électriques



Avertissement ! Avertissements de sécurité supplémentaires liés aux scies sauteuses et aux scies alternatives

- ◆ **Tenez l'outil électrique par ses surfaces de préhension isolées lorsque vous réalisez des opérations pendant lesquelles l'accessoire de coupe peut entrer en contact avec des fils cachés.**
Tout contact de l'accessoire de coupe avec un fil sous tension peut mettre les parties métalliques exposées de l'outil sous tension et provoquer un choc électrique à l'utilisateur.
- ◆ **Utilisez des fixations ou tout autre moyen pratique pour fixer et soutenir la pièce à scier sur un support stable.** Tenir l'ouvrage à la main ou contre votre corps le rend instable et peut conduire à une perte de contrôle.
- ◆ **Éloignez vos mains des zones de découpe.** Ne touchez jamais le dessous de la pièce à scier pour quelque raison que ce soit. Ne passez pas vos doigts ou votre pouce à proximité de la lame en mouvement et la fixation de la lame. Ne cherchez pas à stabiliser la scie en tenant la semelle.
- ◆ **Gardez les lames bien affûtées.** Les lames émoussées ou endommagées peuvent faire dévier ou bloquer la scie sous la pression. Utilisez toujours le type de lame de scie adapté pour la matière à scier et le bon type de coupe.
- ◆ **Si vous sciez des tubes, tuyaux ou conduites, assurez-vous qu'il ne contiennent ni eau, ni fil électrique, etc.**
- ◆ **Ne touchez pas la pièce coupée ou la lame immédiatement après avoir utilisé l'outil.** Elles peuvent être très chaudes.
- ◆ **Prenez conscience des risques potentiels avant de scier des murs, des planchers ou des plafonds, vérifiez l'emplacement des fils électriques et des canalisations.**
- ◆ **Le va-et-vient de la lame continue après avoir relâché l'interrupteur.** Éteignez toujours l'outil et patientez jusqu'à ce que la lame soit complètement arrêtée avant de poser l'outil.

Avertissement ! Tout contact ou inhalation de poussières émises pendant la découpe peut nuire à la santé de l'opérateur et des éventuelles personnes à proximité. Portez un masque anti-poussières spécialement conçu pour vous protéger des poussières et des fumées et veillez à ce que les personnes se trouvant à l'intérieur de la zone de travail ou y pénétrant soient également protégées.

- ◆ L'usage prévu est décrit dans ce manuel d'utilisation.
- ◆ L'utilisation d'un accessoire ou d'une fixation, ou bien l'utilisation de cet outil à d'autres fins que celles

recommandées dans ce manuel d'instructions peut entraîner des blessures et/ou des dommages matériels.

Sécurité des personnes

Ne laissez jamais les enfants, les personnes aux capacités physiques sensorielles ou mentales déficientes ou manquant d'expérience ou de connaissances ou les personnes non familiarisées avec ces instructions, utiliser la machine, la réglementation locale peut limiter l'âge de l'utilisateur.

Risques résiduels

Certains risques résiduels autres que ceux mentionnés dans les avertissements sur la sécurité peuvent survenir en utilisant l'outil. Ces risques peuvent être provoqués par une utilisation incorrecte, prolongée, etc.

Malgré l'application des normes de sécurité pertinentes et la mise en œuvre de dispositifs de sécurité, certains risques résiduels ne peuvent pas être évités. Ils comprennent :

- ◆ Les blessures dues au contact avec les pièces mobiles/en rotation.
- ◆ Les blessures dues au changement de pièces, de lame ou d'accessoires.
- ◆ Les blessures dues à l'utilisation prolongée d'un outil. Lorsque vous utilisez un outil quel qu'il soit pendant de longues périodes, assurez-vous de faire des pauses régulières.
- ◆ Diminution de l'acuité auditive.
- ◆ Risques pour la santé dus à l'inhalation de poussières produites pendant l'utilisation de l'outil (exemple : travail avec du bois, surtout le chêne, le hêtre et les panneaux en MDF).

Vibrations

La valeur des émissions de vibrations déclarée dans les caractéristiques techniques et la déclaration de conformité a été mesurée conformément à la méthode de test normalisée établie par la norme EN60745 et elle peut être utilisée pour comparer un outil à un autre. La valeur des émissions de vibrations déclarée peut aussi être utilisée pour une évaluation préliminaire à l'exposition.

Avertissement ! En fonction de la manière dont l'outil est utilisé, la valeur des émissions de vibrations réelles pendant l'utilisation de l'outil peut différer de la valeur déclarée. Le niveau des vibrations peut dépasser le niveau déclaré. Quand l'exposition aux vibrations est évaluée afin de déterminer les mesures de sécurité requises par la norme 2002/44/CE pour protéger les personnes utilisant régulièrement des outils électriques, cette estimation doit tenir compte des conditions réelles d'utilisation et de la façon dont l'outil est utilisé. Il faut également tenir compte de toutes les composantes du cycle de fonctionnement comme la durée pendant laquelle l'outil est arrêté et quand il fonctionne au ralenti, ainsi que la durée du déclenchement.

Étiquettes de l'outil

Outre le code de date, les symboles suivants sont apposés sur l'outil :



Avertissement ! Pour réduire le risque de blessures, l'utilisateur doit lire le manuel d'instructions.

Consignes de sécurité supplémentaires concernant les batteries/piles et les chargeurs (où fourni)

Batteries

- ◆ N'essayez jamais de les ouvrir pour une raison quelconque.
- ◆ Ne mettez pas la batterie/pile en contact avec l'eau.
- ◆ Ne rangez pas l'appareil dans des endroits où la température peut dépasser 40 °C.
- ◆ Ne chargez qu'à température ambiante comprise entre 10 °C et 40 °C.
- ◆ N'utilisez que le chargeur fourni avec l'outil.
- ◆ Pour la mise au rebut des batteries, suivez les instructions données dans la section "Protection de l'environnement".



N'essayez pas de charger des batteries endommagées.

Chargeurs

- ◆ Utilisez exclusivement votre chargeur BLACK+DECKER pour charger la batterie fournie avec l'outil. D'autres batteries pourraient exploser, provoquant des blessures et des dommages.
- ◆ Ne tentez jamais de recharger des batteries non rechargeables.
- ◆ Remplacez immédiatement les fils électriques endommagés.
- ◆ N'approchez pas le chargeur de l'eau.
- ◆ N'ouvrez pas le chargeur.
- ◆ Ne testez pas le chargeur.



Le chargeur ne peut être utilisé qu'à l'intérieur.



Lisez le manuel d'instruction avant d'utiliser l'outil.

Sécurité électrique



Votre chargeur est doublement isolé. Par conséquent, aucun câble de terre n'est nécessaire. Vérifiez toujours si la tension indiquée sur la plaque signalétique de l'appareil correspond à la tension de secteur. N'essayez jamais de remplacer le chargeur par une prise secteur.

- ◆ Si le câble d'alimentation est endommagé, il doit être remplacé par le fabricant ou par un Centre de réparation agréé BLACK+DECKER afin d'éviter tout accident.

Fonctionnalités

Cet outil présente la totalité ou une partie des caractéristiques suivantes.

1. Bouton marche/arrêt
2. Bouton de déblocage
3. Semelle
4. Levier de dégagement de la lame
5. Lame
6. Batterie (où fourni)
7. Bouton de dégagement de batterie
8. Poignée principale
9. Poignée secondaire

Figure D (où fourni)

10. Chargeur

Assemblage

Avertissement ! Avant l'assemblage, retirez la batterie de l'outil et assurez-vous que la lame est arrêtée. Les lames, après utilisation, peuvent être chaudes.

Mise en place de la lame (figure A)

- ◆ Éloignez l'outil de votre corps.
- ◆ Ouvrez complètement le levier de dégagement de la lame (4).
- ◆ Insérez l'embout de lame par l'avant.
- ◆ Fermez le levier de dégagement de la lame (4). Assurez-vous que la lame (5) est fermement fixée.

Remarque : la lame peut être installée en orientant les dents vers le haut pour une découpe plus précise (figure G).

Retrait de la lame

Avertissement ! Ne touchez pas la lame immédiatement après l'avoir utilisée. Les lames, après utilisation, peuvent être chaudes.

- ◆ Ouvrez complètement le levier de dégagement de la lame (4).
- ◆ Retirez la lame.

Bouton de déblocage

L'outil est muni d'une commande de blocage pour éviter un fonctionnement non souhaité.

- ◆ Pour mettre l'outil en marche, appuyez sur le bouton de déblocage (2), puis sur le bouton marche/arrêt (1).
- ◆ Pour arrêter l'outil, relâchez le bouton marche/arrêt (1).

Installation et retrait de la batterie (figures B et C)

- ◆ Pour installer la batterie (6), alignez-la avec le boîtier sur l'outil. Glissez la batterie dans le boîtier et poussez-la jusqu'à ce qu'elle se bloque en position (figure B).
- ◆ Pour retirer la batterie (6), poussez le bouton de dégagement (7) en tirant simultanément sur la batterie pour l'extraire du boîtier de l'outil (figure C).

Utilisation

Avertissement ! Laissez l'outil fonctionner à sa propre vitesse. Ne le poussez pas au-delà de sa limite.

Charge de la batterie (figure D)

La batterie doit être chargée avant la première utilisation et chaque fois qu'elle semble faible. La batterie peut chauffer pendant la charge. Ceci est un phénomène normal qui ne présente pas un problème.

Attention ! Ne chargez pas la batterie à une température ambiante inférieure à 10 °C ou supérieure à 40 °C. La température de charge recommandée est approximativement de : 24 °C.

Remarque : le chargeur ne chargera pas la batterie si la température de l'élément est inférieure à 10 °C ou supérieure à 40 °C environ. La batterie doit rester dans le chargeur. La charge recommence automatiquement quand la température augmente ou diminue, selon le cas.

- ◆ Pour charger la batterie (6), insérez-la dans le chargeur (10). Il n'y a qu'un moyen d'insérer la batterie dans le chargeur. Ne forcez pas. Assurez-vous que la batterie est complètement enclenchée dans le chargeur.
- ◆ Branchez le chargeur sur l'alimentation secteur et mettez-le sous tension.

Le témoin de charge vert clignote.

La charge est terminée quand le témoin de charge vert brille en continu. Le chargeur et la batterie peuvent rester connectés en permanence. Le témoin de charge vert clignote lorsque le chargeur complète la charge de la batterie jusqu'au niveau maximum.

- ◆ Chargez les batteries déchargées dans un délai d'une semaine. Il est préférable de ne pas ranger la batterie si elle est déchargée. La durée de vie de la batterie en serait limitée.

Batterie en place dans le chargeur

Le chargeur et le bloc-batterie peuvent rester connectés avec le témoin de charge vert allumé en permanence. Le chargeur maintient le bloc-batterie complètement chargé.

Mise en marche et arrêt

- ◆ Pour mettre l'outil en marche, appuyez sur le bouton de déblocage (2), puis sur le bouton marche/arrêt (1).
- ◆ Pour mettre l'outil hors tension, relâchez le bouton marche/arrêt (1).

Scier (figure E)

- ◆ Tenez toujours l'outil avec les deux mains (figure E).
- ◆ Laissez la lame (5) fonctionner librement pendant quelques secondes avant de commencer la découpe.
- ◆ N'appliquez qu'une légère pression sur l'outil pendant la découpe.
- ◆ Si possible, travaillez avec la semelle (3) appuyée contre la pièce à couper. L'outil sera mieux contrôlé, les vibrations seront réduites et il y aura moins de risque d'endommager la lame.

Conseils pour une utilisation optimale

Scier du bois (figure F)

- ◆ Fixez fermement la pièce et retirez tous les clous et objets métalliques.
- ◆ Maintenez l'outil à deux mains et travaillez avec la semelle (3) appuyée contre la pièce à couper.

Découpe de précision (figure G)

La conception compacte du boîtier du moteur de la scie sauteuse et de la semelle pivotante (3) permet une découpe précise pour les planchers, coins et autres zones difficiles. Pour obtenir la meilleure découpe de précision possible :

- ◆ Insérez la tige de la lame dans la fixation de lame avec les dents orientées vers le haut.
- ◆ Ajustez l'angle de la poignée sur l'outil pour être le plus près possible de la surface de travail.

Découpe du métal (figure H)

- ◆ Utilisez une lame adaptée à la coupe de métal. Utilisez une lame avec des dents fines pour les métaux ferreux et une lame plus grossière pour les métaux non ferreux.
- ◆ Pour couper une fine épaisseur de métal, serrez une pièce de bois à l'arrière de la pièce à couper et sciez à travers l'épaisseur.
- ◆ Répartissez un filet d'huile le long de la ligne de coupe.

Petite découpe dans le bois (figure I)

- ◆ Mesurez et repérez la découpe requise.
- ◆ Installez une lame adaptée à une petite découpe.
- ◆ Posez la semelle (3) sur la pièce à couper de manière à ce que la lame puisse tailler un angle approprié.
- ◆ Mettez l'outil en marche et insérez lentement la lame dans la pièce à couper. Laissez la semelle (3) en permanence en contact avec la pièce à couper.

Coupe de branches

Les branches d'un diamètre allant jusqu'à 25 mm peuvent être coupées avec cet outil.

Attention ! N'utilisez pas cet outil quand vous êtes dans l'arbre, sur une échelle ou une surface instable. La chute de la branche peut représenter un danger. Prenez les précautions nécessaires.

- ◆ Coupez vers le bas et vers l'extérieur.
- ◆ Coupez le plus près possible de la branche principale ou du tronc.

Découpe verticale

L'outil permet une coupe proche des coins et d'autres zones difficiles.

- ◆ Insérez l'embout de la lame dans le support en orientant les dents vers le haut.
- ◆ Maintenez l'outil avec la semelle (3) vers le bas de manière à être le plus près possible de la surface de travail.
- ◆ Coupez vers l'avant et vers l'extérieur.

Accessoires

Les performances de votre outil dépendent de l'accessoire utilisé.

Les accessoires BLACK+DECKER sont conformes aux normes de qualité supérieure et sont conçus pour donner le meilleur résultat possible. Votre outil vous donnera entière satisfaction avec ces accessoires.

Lames

Il est possible d'utiliser une lame d'une longueur maximale de 30 cm. Utilisez toujours la lame la plus courte adaptée à votre projet, mais suffisamment longue pour que la lame reste dans la pièce à couper. Les longues lames risquent de se tordre ou de s'endommager pendant l'utilisation. Pendant la découpe, les lames longues peuvent vibrer ou osciller si la scie ne reste pas en contact avec la pièce à couper.

Entretien

Votre outil BLACK+DECKER a été conçu pour fonctionner pendant longtemps avec un minimum d'entretien. Un fonctionnement continu satisfaisant dépend d'un nettoyage régulier et d'un entretien approprié de l'outil.

Le chargeur ne nécessite aucun entretien particulier, à l'exception d'un nettoyage régulier.

Attention ! Avant d'entretenir l'outil, retirez la batterie. Débranchez le chargeur avant de le nettoyer.

- ◆ Nettoyez régulièrement les orifices de ventilation de votre outil et chargeur à l'aide d'une brosse souple ou d'un chiffon sec.
- ◆ Nettoyez régulièrement le compartiment du moteur à l'aide d'un chiffon humide. N'utilisez pas de produit abrasif ou à base de solvant.

- ◆ Ouvrez régulièrement le mandrin et retirez la poussière à l'intérieur en le tapant.

Protection de l'environnement



Tri sélectif. Les produits et batteries marqués de ce symbole ne doivent pas être jetés avec les déchets ménagers.

Les produits et batteries contiennent des matières qui peuvent être récupérées et recyclées afin de réduire la demande en matières premières.

Veillez à recycler les produits électriques et les piles et batteries conformément aux dispositions locales en vigueur. Pour plus d'informations, consultez le site ww.2helpU.com

Caractéristiques techniques

		BDCR18 (H1)
Tension d'entrée	V_{DC}	18
Vitesse à vide	Min^{-1}	0-3000
Course	mm	22
Poids	kg	1.5

Chargeur		905902**/ N4940**	905998**/ 906349**
Tension d'entrée	V_{AC}	100-240	220-240
Tension de sortie	V_{DC}	8-20	8-20
Courant	mA	400	1000
Temps de charge approx.	Heures	3-11	1.5-5

Batterie (où fourni)		BL2018*	BL1518*	BL2518*	BL4018
Voltage	V_{DC}	18	18	18	18
Capacity	Ah	2.0	1.5	2.5	4.0
Type		Li-Ion	Li-Ion	Li-Ion	Li-Ion

Niveau de pression sonore selon la norme EN 60745 :

Pression sonore (L_{pA}) 79.5 dB(A), incertitude (K) 3 dB(A)

Puissance sonore (L_{WA}) 90.5 dB(A), incertitude (K) 3 dB(A)

Valeurs totales des vibrations (somme vectorielle triaxiale) selon la norme EN 60745 :

Coupe, planches ($a_{h,B}$) 17.9 m/s^2 , incertitude (K) 1.5 m/s^2

Coupe, poutres bois ($a_{h,WB}$) 19.7 m/s^2 , incertitude (K) 1.5 m/s^2

Déclaration de conformité CE

DIRECTIVES MACHINES



BDCR18 - Scie sauteuse

Black & Decker confirme que les produits décrits dans les « Données techniques » sont conformes aux normes : EN60745-1:2009+A11:2010, EN60745-2-11:2010

Ces produits sont également conformes aux Directives 2006/42/CE, 2014/30/UE et 2011/65/UE.

Pour plus de détails, veuillez contacter Black & Decker à l'adresse suivante ou reportez-vous au dos du manuel.

Le soussigné est responsable de la compilation des données de la fiche technique et fait cette déclaration au nom de Black & Decker.

Ray Laverick
Directeur Ingénierie
Black & Decker Europe, 210 Bath Road, Slough,
Berkshire, SL1 3YD
Royaume-Uni
26/10/2018

Garantie

Black & Decker assure la qualité de ses produits et offre une garantie de 24 mois aux utilisateurs, à partir de la date d'achat. Cette garantie s'ajoute à vos droits légaux auxquels elle ne porte aucunement préjudice. Cette garantie est valable au sein des territoires des États membres de l'Union Européenne et au sein de la Zone européenne de libre-échange.

Pour prétendre à la garantie, la réclamation doit être en conformité avec les conditions générales de Black & Decker et vous devez fournir une preuve d'achat au vendeur ou au réparateur agréé. Les conditions générales de la garantie de 2 ans Black&Decker ainsi que l'adresse du réparateur agréé le plus proche sont disponibles sur le site Internet www.2helpU.com ou en contactant votre agence Black & Decker locale à l'adresse indiquée dans ce manuel.

Veuillez consulter notre site Internet www.blackanddecker.co.uk pour enregistrer votre nouveau produit Black & Decker et pour être tenu informé des nouveaux produits et offres spéciales.

Usò previsto

La sega a gattuccio BLACK+DECKER BDCR18 è stata progettata per segare legno, plastica e lamiera. Questo elettrotensile è destinato solo all'uso privato.

Istruzioni di sicurezza**Avvertenze di sicurezza generali per gli elettrotensili**

Avvertenza! Leggere attentamente tutte le avvertenze e le istruzioni di sicurezza. La mancata osservanza delle presenti avvertenze e istruzioni potrebbe causare scosse elettriche, incendi e/o infortuni gravi.

Conservare tutte le avvertenze e le istruzioni per futura consultazione. Il termine "elettrotensile" che ricorre in tutte le avvertenze seguenti si riferisce a utensili elettrici alimentati attraverso la rete elettrica (con filo) o a batteria (senza filo).

1. Sicurezza nell'area di lavoro

- a. **Mantenere pulita e bene illuminata l'area di lavoro.** Gli ambienti disordinati o scarsamente illuminati favoriscono gli incidenti.
- b. **Evitare di usare gli elettrotensili in ambienti esposti a rischio di esplosione, ad esempio in presenza di liquidi, gas o polveri infiammabili.** Gli elettrotensili generano scintille che possono incendiare le polveri o i fumi.
- c. **Tenere lontani bambini e altre persone presenti mentre si usa un elettrotensile.** Le distrazioni possono provocare la perdita di controllo.

2. Sicurezza elettrica

- a. **Le spine elettriche degli elettrotensili devono essere adatte alla presa di corrente. Non modificare la spina in alcun modo. Non utilizzare spine con adattatore con gli elettrotensili dotati di messa a terra.** Per ridurre il rischio di scossa elettrica evitare di modificare le spine e utilizzare sempre le prese di corrente appropriate.
- b. **Evitare il contatto fisico con superfici collegate a terra, quali tubi, radiatori, forni e frigoriferi.** Se il proprio corpo è collegato a terra, il rischio di scossa elettrica aumenta.
- c. **Custodire gli elettrotensili al riparo dalla pioggia o dall'umidità.** Se penetra dell'acqua all'interno dell'elettrotensile, il rischio di scosse elettriche aumenta.
- d. **Non utilizzare il cavo di alimentazione in modo improprio. Non usare il cavo di alimentazione per trasportare o trainare l'elettrotensile e non tirarlo per estrarre la spina dalla presa di corrente. Tenere il cavo di alimentazione lontano da fonti di calore, olio, bordi**

taglianti o parti in movimento. Se il cavo di alimentazione è danneggiato o impigliato, il rischio di scossa elettrica aumenta.

- e. **Se l'elettrotensile viene utilizzato all'aperto, usare esclusivamente prolunghie omologate per l'impiego all'esterno.** L'uso di un cavo di alimentazione adatto ad ambienti esterni riduce il rischio di scossa elettrica.
 - f. **Se non è possibile evitare di lavorare in una zona umida, collegarsi a una rete elettrica protetta da un interruttore differenziale (RCD).** L'uso di un interruttore differenziale riduce il rischio di scossa elettrica.
3. **Sicurezza delle persone**
 - a. **È importante rimanere concentrati su ciò che si sta facendo e maneggiare l'elettrotensile con giudizio. Non utilizzare un elettrotensile quando si è stanchi o sotto l'effetto di droghe, alcool o medicinali.**
Un solo attimo di distrazione durante l'uso di tali apparati potrebbe provocare gravi lesioni personali.
 - b. **Usare i dispositivi di protezione individuale. Indossare sempre dispositivi di sicurezza per gli occhi.** L'uso di dispositivi di protezione, quali mascherine antipolvere, scarpe antinfortunistiche antiscivolo, elmetti o protezioni auricolari in condizioni opportune consente di ridurre le lesioni personali.
 - c. **Impedire l'avviamento involontario. Accertarsi che l'interruttore di accensione sia in posizione "off" (spento), prima di collegare l'elettrotensile alla rete elettrica e/o alla batteria, di prenderlo in mano o di trasportarlo.** Per non esporsi al rischio di incidenti, non trasportare l'elettrotensile tenendo le dita sull'interruttore e non collegarlo a una fonte di alimentazione elettrica con l'interruttore acceso.
 - d. **Prima di accendere un elettrotensile, rimuovere gli utensili di regolazione o le chiavi eventualmente presenti.** Un utensile di regolazione o una chiave fissati su una parte rotante dell'elettrotensile può provocare lesioni a persone.
 - e. **Non sbilanciarsi. Mantenere sempre un appoggio e un equilibrio adeguati.** In tal modo è possibile mantenere un migliore controllo dell'elettrotensile nelle situazioni impreviste.
 - f. **Vestirsi adeguatamente. Non indossare abiti lenti o gioielli. Tenere i capelli, i vestiti e i guanti lontano dalle parti mobili.** Abiti larghi, gioielli o capelli lunghi possono impigliarsi nelle parti in movimento.
 - g. **Se gli elettrotensili sono provvisti di attacchi per il collegamento di dispositivi di aspirazione o di raccolta della polvere, assicurarsi che questi siano installati e utilizzati correttamente.** La raccolta delle polveri può ridurre i pericoli legati a queste ultime.
 - h. **Non lasciare che la familiarità acquisita dall'uso frequente degli utensili induca a cedere alla tentazione**

di ignorare i principi di utilizzo sicuro degli stessi.

Un'azione imprudente potrebbe provocare lesioni gravi in una frazione di secondo.

4. Uso e cura dell'elettrotensile

- a. **Non sovraccaricare l'elettrotensile. Utilizzare l'elettrotensile adatto per il lavoro da eseguire.**
L'elettrotensile corretto funzionerà meglio e in modo più sicuro, se utilizzato alla velocità per cui è stato progettato.
 - b. **Non utilizzare elettrotensili con interruttori difettosi.** Qualsiasi elettrotensile che non possa essere controllato tramite l'interruttore è pericoloso e deve essere riparato.
 - c. **Scollegare la spina dalla presa di corrente e/o la batteria dall'elettrotensile prima di regolarlo, sostituirne gli accessori o di riporlo.** Queste misure di sicurezza preventive riducono il rischio di azionare accidentalmente l'elettrotensile.
 - d. **Quando non vengono usati, gli elettrotensili devono essere custoditi fuori dalla portata dei bambini. Non consentire l'uso dell'elettrotensile a persone inesperte o che non abbiano letto le presenti istruzioni.** Gli elettrotensili sono pericolosi in mano a persone inesperte.
 - e. **Sottoporre gli elettrotensili a regolare manutenzione. Verificare che le parti mobili siano correttamente allineate e non inceppate, che non vi siano componenti rotti e che non sussistano altre condizioni che possono compromettere il funzionamento dell'elettrotensile. Se danneggiato, far riparare l'elettrotensile prima dell'uso.** Molti incidenti sono provocati da elettrotensili non sottoposti a corretta manutenzione.
 - f. **Mantenere affilati e puliti gli strumenti da taglio.** La manutenzione corretta degli utensili da taglio con bordi affilati riduce le probabilità di inceppamento e ne facilita il controllo.
 - g. **Utilizzare l'elettrotensile, gli accessori e le punte in conformità alle presenti istruzioni, tenendo conto delle condizioni operative e del lavoro da completare.** L'utilizzo dell'elettrotensile per impieghi diversi da quelli previsti può dare luogo a situazioni di pericolo.
 - h. **Mantenere le impugnature e le superfici di presa asciutte, pulite e senza tracce di olio o grasso.** Impugnature e superfici di presa scivolose non consentono di maneggiare e controllare in modo sicuro l'utensile nel caso di imprevisti.
5. **Uso e cura degli elettrotensili a batteria**
 - a. **Ricaricare la batteria dell'elettrotensile utilizzando esclusivamente il caricabatterie specificato dal fabbricante.** Un caricabatterie adatto per un solo tipo di batteria può comportare il rischio d'incendio se usato con una batteria diversa.

- b. **Usare gli elettroutensili esclusivamente con le apposite batterie.** L'impiego di batterie di tipo diverso potrebbe provocare il rischio di lesioni a persone e incendi.
- c. **Quando la batteria non viene usata, tenerla lontano da altri oggetti metallici tipo graffette, monete, chiavi, chiodi, viti o altri oggetti metallici di piccole dimensioni, che potrebbero cortocircuitare un morsetto con l'altro.** Se i morsetti della batteria vengono cortocircuitati potrebbero provocare ustioni o un incendio.
- d. **In condizioni di sovraccarico, le batterie possono perdere liquido: evitare di toccarlo. In caso di contatto accidentale, risciacquare la pelle con acqua. Se il liquido entra a contatto con gli occhi, consultare un medico.** Il liquido che fuoriesce dalla batteria può causare irritazioni o ustioni.
- e. **Non utilizzare una batteria o un utensile danneggiati o modificati.** Le batterie danneggiate o modificate potrebbero manifestare un comportamento imprevedibile con la possibilità di causare un'esplosione o un incendio.
- f. **Non esporre una batteria o un utensile al fuoco o a temperature eccessivamente elevate.** L'esposizione al fuoco o a una temperatura superiore a 130°C potrebbe provocare un'esplosione.
- g. **Seguire tutte le istruzioni per la carica e non caricare la batteria o l'elettroutensile a una temperatura che non rientri nell'intervallo di valori specificato nelle istruzioni.** Una ricarica effettuata in maniera scorretta o a una temperatura che non rientra nell'intervallo di valori specificato, potrebbe danneggiare la batteria aumentando il rischio d'incendio.

6. Assistenza

- a. **Fare riparare l'elettroutensile esclusivamente da personale specializzato e utilizzando esclusivamente ricambi originali.** In questo modo sarà possibile mantenere la sicurezza dell'elettroutensile.
- b. **Non riparare le batterie danneggiate.** Gli interventi di riparazione sulle batterie devono essere eseguiti dal costruttore o da fornitori di assistenza autorizzati.

Altri avvisi di sicurezza per gli elettroutensili



Attenzione! Ulteriori avvisi di sicurezza per le seghe a gattuccio

- ◆ **Tenere l'elettroutensile afferrando le impugnature isolate se vi è la possibilità che l'accessorio di taglio possa venire a contatto con cavi nascosti o con il filo di alimentazione.** Il contatto tra l'accessorio di taglio e un filo sotto tensione mette sotto tensione le parti metalliche esposte dell'elettroutensile e potrebbe esporre l'operatore a scosse elettriche.

- ◆ **Tenere l'elettroutensile afferrando le impugnature isolate se vi è la possibilità che la punta dell'avvitatore possa venire a contatto di cavi nascosti o del filo di alimentazione.** Il contatto tra le punte dell'avvitatore e un filo sotto tensione, mette sotto tensione anche le parti metalliche esposte dell'elettroutensile esponendo l'operatore a scosse elettriche.
 - ◆ **Usare morsetti o altri metodi pratici per fissare e sorreggere il pezzo in lavorazione su una base stabile.** Tenere il pezzo da lavorare in mano o contro il corpo è sconsigliabile, perché è instabile e può facilmente sfuggire dal controllo.
 - ◆ **Tenere le mani lontane dall'area di taglio.** Non allungare mai le mani sotto il pezzo da lavorare per alcun motivo. Non infilare le dita o il pollice in prossimità della lama alternativa e del blocco lama. Non stabilizzare la sega afferrando la guida.
 - ◆ **Tenere affilate le lame.** Delle lame spuntate o danneggiate possono causare la deviazione o lo spegnimento della sega sotto sforzo. Usare sempre il corretto tipo di lama per il materiale da tagliare.
 - ◆ **Quando si taglia un tubo o una conduttura, accertarsi sempre che al loro interno non vi siano acqua o fili elettrici.**
 - ◆ **Non toccare il pezzo o la lama subito dopo aver fatto funzionare l'elettroutensile,** dato che potrebbero essere molto caldi.
 - ◆ **Essere consapevoli che vi possono essere dei pericoli nascosti: prima di praticare tagli in pareti, pavimenti o soffitti, controllare l'ubicazione di cablaggi e tubazioni.**
 - ◆ **La lama continua a muoversi dopo aver rilasciato l'interruttore.** Spegnerne sempre l'elettroutensile e attendere che la lama si fermi completamente prima di posarlo.
- Avvertenza!** Il valore delle emissioni di vibrazioni durante l'impiego effettivo dell'elettroutensile può variare da quello dichiarato a seconda delle modalità d'uso. Il livello delle vibrazioni può aumentare oltre quello dichiarato.
- ◆ L'uso previsto è descritto nel presente manuale d'uso. Se questo elettroutensile viene usato con accessori o per usi diversi da quelli raccomandati nel presente manuale d'uso, si potrebbero verificare lesioni personali e/o danni alle cose.

Altre avvertenze di sicurezza riguardanti gli elettroutensili



Avvertenza! Ulteriori avvisi di sicurezza per i segchetti da traforo e le seghe alternative.

- ◆ **Tenere l'elettroutensile per le superfici di presa isolate quando si esegue un'operazione in cui l'utensile di taglio potrebbe entrare in contatto con i cavi nascosti.** Gli accessori da taglio che vengono a contatto con un

cavo sotto tensione trasmettono la corrente elettrica anche alle parti metalliche esposte dell'elettrotensile e possono provocare la folgorazione dell'operatore.

- ◆ **Usare morse o altri metodi pratici per fissare e supportare il pezzo in lavorazione su una piattaforma stabile.** Tenere il pezzo in lavorazione con le mani o contro il corpo non ne assicura la stabilità e potrebbe comportare la perdita di controllo.
- ◆ **Tenere le mani lontane dalla zona di taglio.** Non allungare mai le mani sotto il pezzo. Non infilare le dita o il pollice in prossimità della lama e del morsetto della lama. Non stabilizzare il seghetto afferrando il pattino.
- ◆ **Mantenere le lame affilate.** Le lame non affilate o danneggiate potrebbero far deviare o inceppare la sega sotto pressione. Utilizzare sempre il tipo di lama corretto per il materiale del pezzo in lavorazione e per il tipo di taglio.
- ◆ **Quando si tagliano tubazioni o canaline, assicurarsi che siano state svuotate da acqua, fili elettrici, ecc.**
- ◆ **Non toccare il pezzo in lavorazione o la lama subito dopo l'uso dell'elettrotensile.** Possono diventare molto caldi.
- ◆ **Essere consapevoli dei pericoli nascosti: prima di eseguire tagli in muri, pavimenti o soffitti controllare l'ubicazione di fili elettrici e tubazioni.**
- ◆ **La lama continua a muoversi dopo aver rilasciato l'interruttore.** Prima di appoggiare l'elettrotensile, spegnerlo e attendere che la lama si fermi completamente.

Avvertenza! Il contatto o l'inalazione della polvere generata dal taglio potrebbe nuocere alla salute dell'operatore e delle eventuali altre persone presenti. Indossare una mascherina antipolvere specifica per polveri e fumi e accertarsi che anche le persone presenti nell'area di lavoro o che vi entrano siano adeguatamente protetti.

- ◆ L'uso previsto è indicato nel presente manuale.
- ◆ Se questo elettrotensile viene usato con accessori o per usi diversi da quelli raccomandati nel presente manuale d'uso, si potrebbero verificare lesioni personali e/o danni alle cose.

Sicurezza altrui

Non permettere mai di utilizzare l'elettrotensile a bambini, persone con capacità fisiche, sensoriali o mentali ridotte o con mancanza di esperienza e di conoscenze o persone che non sono a conoscenza delle presenti istruzioni. Le normative locali potrebbero imporre un limite di età per l'operatore.

Rischi residui

L'utilizzo dell'elettrotensile può comportare rischi residui non necessariamente riportati nelle presenti avvertenze di

sicurezza. Tali rischi possono sorgere a seguito di un uso prolungato o improprio, ecc.

Malgrado il rispetto delle norme di sicurezza pertinenti e l'implementazione di dispositivi di sicurezza, alcuni rischi residui non possono essere evitati. Sono inclusi:

- ◆ lesioni causate o subite a seguito del contatto con parti rotanti/in movimento;
- ◆ lesioni causate o subite durante la sostituzione di parti, lame o accessori;
- ◆ lesioni causate dall'impiego prolungato di un elettrotensile (quando si utilizza qualsiasi elettrotensile per lunghi periodi, accertarsi di fare regolarmente delle pause);
- ◆ menomazioni uditive;
- ◆ rischi per la salute causati dall'aspirazione di polvere generata dall'utilizzo dell'elettrotensile (ad esempio quando si lavora con il legno, in modo particolare quello di quercia, faggio o l'MDF).

Vibrazioni

I valori dichiarati delle emissioni di vibrazioni, indicati nei dati tecnici e nella dichiarazione di conformità del presente manuale, sono stati misurati in base al metodo di test standard previsto dalla normativa EN60745 e possono essere usati come paragone tra un attrezzo e un altro. Il valore delle emissioni di vibrazioni dichiarato può anche essere usato come valutazione preliminare dell'esposizione.

Avvertenza! Il valore delle emissioni di vibrazioni durante l'impiego effettivo dell'elettrotensile può variare da quello dichiarato a seconda delle modalità d'uso. Il livello delle vibrazioni può aumentare oltre quello dichiarato.

Quando si valuta l'esposizione alle vibrazioni per determinare le misure di sicurezza richieste dalla normativa 2002/44/CE destinata alla protezione delle persone che utilizzano regolarmente elettrotensili per lo svolgimento delle proprie mansioni, è necessario prendere in considerazione le condizioni effettive di utilizzo e il modo in cui l'elettrotensile viene usato, oltre che tenere conto di tutte le componenti del ciclo operativo, vale a dire i periodi in cui l'elettrotensile rimane spento, quelli in cui è acceso ma fermo e quelli in cui viene effettivamente utilizzato.

Etichette sull'elettrotensile

Sull'elettrotensile sono presenti i seguenti simboli assieme al codice data:



Attenzione! Per ridurre il rischio di infortuni, l'utente deve leggere il manuale d'uso.

Altre istruzioni di sicurezza per batterie e caricabatteria (dove in dotazione)

Batterie

- ◆ Non tentare di aprirle per alcuna ragione.

- ◆ Non lasciare che le batterie si bagnino.
- ◆ Non riporre in luoghi dove la temperatura potrebbe superare 40 °C.
- ◆ Caricare solo a temperature ambiente tra 10 °C e 40 °C.
- ◆ Caricare solo usando il caricabatteria fornito con l'elettrotensile.
- ◆ Quando si smaltiscono le batterie, seguire le istruzioni riportate al capitolo "Protezione dell'ambiente".



Non tentare di caricare delle batterie danneggiate.

Caricabatteria

- ◆ Usare l'alimentatore BLACK+DECKER solo per caricare la batteria nell'apparecchio con il quale è stato fornito. Altre batterie potrebbero scoppiare causando lesioni alle persone e danni.
- ◆ Non tentare mai di ricaricare batterie non ricaricabili.
- ◆ Fare sostituire immediatamente i fili di alimentazione difettosi.
- ◆ Non lasciare che il caricabatteria si bagni.
- ◆ Non aprire il caricabatteria.
- ◆ Non collegare il caricabatteria a sonde.



Il caricabatteria può solo essere usato all'interno.



Leggere il presente manuale d'uso prima dell'impiego.

Sicurezza elettrica



Il doppio isolamento di cui è provvisto il caricabatteria rende superfluo il filo di terra. Controllare sempre che la tensione di rete corrisponda a quella indicata sulla targhetta dei dati tecnici. Non tentare mai di sostituire il caricabatteria con una normale spina elettrica.

- ◆ In caso di danneggiamento del filo di alimentazione, è necessario farlo riparare dal fabbricante o presso un centro assistenza BLACK+DECKER autorizzato in modo da evitare eventuali pericoli.

Caratteristiche

Questo elettrotensile presenta alcune o tutte le seguenti caratteristiche.

1. Interruttore di accensione
2. Pulsante di sicurezza
3. Piedino scorrimento lama
4. Leva di rilascio blocca lama
5. Lama
6. Batteria (dove in dotazione)
7. Pulsante di rilascio batteria

8. Impugnatura principale
9. Impugnatura secondaria

Figura D (dove in dotazione)

10. Caricabatteria

Montaggio

Attenzione! Prima dell'assemblaggio, togliere la batteria dall'elettrotensile e accertarsi che la lama della sega si sia fermata. Le lame della sega usate possono essere calde.

Montaggio della lama della sega (fig. A)

- ◆ Tenere l'elettrotensile lontano dal corpo.
- ◆ Premere la leva di rilascio del blocca lama (4) nella posizione di apertura totale.
- ◆ Inserire il gambo della lama dal davanti.
- ◆ Serrare la leva di rilascio del blocca lama (4). Accertarsi che la lama (5) sia fissata saldamente.

Nota: la lama può essere montata con i denti all'insù per facilitare il taglio a filo (fig. G).

Rimozione della lama della sega

Attenzione! Non toccare la lama immediatamente dopo l'impiego in quanto può essere calda.

- ◆ Premere la leva di rilascio del blocca lama (4) nella posizione di apertura totale.
- ◆ Togliere la lama.

Pulsante di sicurezza

L'elettrotensile è dotato di funzione di bloccaggio dell'interruttore per impedire il funzionamento accidentale.

- ◆ Per accendere l'elettrotensile, premere il pulsante di sicurezza (2) e quindi premere l'interruttore di accensione (1).
- ◆ Rilasciare l'interruttore di accensione (1) per spegnere l'elettrotensile.

Montaggio e rimozione della batteria (fig. B e C)

- ◆ Per montare la batteria (6), allinearla all'apposito vano sull'elettrotensile. Infilare la batteria nell'apposito vano e premerla fino a quando si aggancia in sede (fig. B).
- ◆ Per estrarre la batteria (6), premere il pulsante di rilascio (7) estraendo al tempo stesso la batteria dall'apposito vano sull'elettrotensile (fig. C).

Utilizzo

Attenzione! Lasciare che l'elettrotensile funzioni al suo ritmo. Non sovraccaricarlo.

Carica della batteria (fig. D)

La batteria deve essere caricata prima dell'impiego iniziale e quando non eroga una potenza sufficiente per lavori che prima era possibile eseguire facilmente. Durante la carica la

batteria potrebbe riscaldarsi. Si tratta di un fatto normale che non indica che vi è un problema.

Attenzione! Non caricare la batteria a temperature ambiente inferiori a 10 °C o superiori a 40 °C. La temperatura di ricarica consigliata è di circa 24 °C.

Nota: Il caricabatteria non carica la batteria se la temperatura della cella è inferiore a 10 °C o superiore a 40 °C. La batteria deve essere lasciata nel caricabatteria, che incomincerà a caricare automaticamente quando la temperatura della cella aumenta o diminuisce.

- ◆ Per caricare la batteria (6), inserirla nell'alimentatore (10). La batteria può essere inserita nel caricabatteria solo in un verso. Non forzarla. Accertarsi che la batteria sia completamente insediata nel caricabatteria.
- ◆ Collegare il caricabatteria alla presa di corrente.

L'indicatore di carica verde lampeggerà.

La carica è completa quando l'indicatore di carica verde rimane acceso di continuo. Il caricabatteria e la batteria possono essere lasciati collegati indefinitamente alla presa di corrente. L'indicatore di carica verde lampeggia quando il caricabatteria di tanto in tanto rabocca la carica della batteria.

- ◆ Caricare le batterie scariche entro 1 settimana. La durata delle batterie diminuisce parecchio se sono conservate scariche.

Batteria lasciata nel caricabatteria

Il caricabatteria e il battery pack possono essere lasciati collegati con l'indicatore di carica verde sempre acceso. Il caricabatteria manterrà il battery pack come nuovo e completamente carico.

Accensione e spegnimento

- ◆ Per accendere l'elettrotensile, premere il pulsante di sicurezza (2) e quindi premere l'interruttore di accensione (1).
- ◆ Per spegnere l'elettrotensile, rilasciare l'interruttore di accensione (1).

Segatura (fig. E)

- ◆ Sostenere sempre l'elettrotensile con entrambe le mani (fig. E).
- ◆ Prima di iniziare a tagliare, lasciare che la lama (5) ruoti liberamente per alcuni secondi.
- ◆ Esercitare solo una leggera pressione sull'elettrotensile mentre si esegue il taglio.
- ◆ Se possibile, lavorare con il piedino scorrimento lama (3) premuto contro il pezzo. In questo modo si esercita un maggior controllo sull'elettrotensile, riducendone al tempo stesso le vibrazioni e si evita anche che la lama subisca danni.

Consigli per un utilizzo ottimale

Segatura del legno (fig. F)

- ◆ Serrare saldamente il pezzo in una morsa e togliere chiodi e oggetti metallici.
- ◆ Afferrando la sega con entrambe le mani, lavorare con il piedino scorrimento lama (3) premuto contro il pezzo.

Taglio a filo (fig. G)

Il design compatto dell'alloggiamento del motorino della sega e il piedino scorrimento lama orientabile (3) permettono di eseguire tagli ravvicinati su pavimenti, angoli e in altre zone difficili.

Per migliorare la capacità di taglio a filo:

- ◆ Inserire il codolo della lama nel morsetto con i denti della lama rivolti verso l'alto.
- ◆ Regolare l'angolo dell'impugnatura sull'elettrotensile in modo da essere il più possibile vicini alla superficie di lavoro.

Segatura del metallo (fig. H)

- ◆ Usare una lama idonea alla segatura del metallo. Usare una lama a denti sottili per i metalli ferrosi e una con i denti più grossi per quelli non ferrosi.
- ◆ Quando si taglia un foglio di lamiera sottile, fissare con dei morsetti un pezzo di legno sulla superficie posteriore del pezzo da lavorare e tagliare i due strati insieme.
- ◆ Spalmare un velo d'olio lungo la traccia del taglio.

Taglio di cavità nel legno (fig. I)

- ◆ Misurare e marcare il taglio di cavità richiesto.
- ◆ Montare una lama idonea al taglio di cavità.
- ◆ Appoggiare il piedino scorrimento lama (3) sul pezzo, in una posizione tale da permettere alla lama di formare l'angolo richiesto per il taglio di cavità.
- ◆ Accendere l'elettrotensile e far entrare lentamente la lama nel pezzo. Accertarsi che il piedino scorrimento lama (3) rimanga sempre a contatto del pezzo.

Segatura di rami

Con questo elettrotensile è possibile tagliare rami con un diametro massimo di 25 mm.

Avvertenza! Non usare l'elettrotensile mentre ci si trova su un albero, su una scala o su qualsiasi altra superficie poco stabile. Fare attenzione a dove cadrà il ramo.

- ◆ Eseguire il taglio verso il basso e lontano dal proprio corpo.
- ◆ Praticare il taglio vicino al ramo principale o al tronco.

Taglio verticale

L'elettrotensile permette il taglio ravvicinato negli angoli e in altre zone difficili da raggiungere.

- ◆ Infilare il codolo della lama della sega nel portalama con i denti della lama rivolti verso l'alto.
- ◆ Tenere l'elettrotensile con il piedino scorrimento lama (3) rivolto verso il basso in modo da essere il più possibile vicini alla superficie di lavoro.
- ◆ Eseguire il taglio in avanti e lontano dal proprio corpo.

Accessori

Le prestazioni dell'elettrotensile dipendono dall'accessorio usato.

Gli accessori BLACK+DECKER sono stati fabbricati in base a standard qualitativi elevati e sono stati progettati per ottenere le migliori prestazioni dall'elettrotensile. Usando questi accessori si otterrà il meglio dall'elettrotensile.

Lame

è possibile montare sulla sega una lama lunga 30 cm massimo. Usare sempre la lama più corta adatta al progetto, ma lunga abbastanza da permetterle di tagliare il materiale. Le lame più lunghe sono maggiormente soggette a deformarsi o a danneggiarsi durante l'impiego. Durante l'impiego, alcune lame più lunghe possono vibrare o tremare, se la lama non viene tenuta a contatto del pezzo.

Manutenzione

Questo elettrotensile BLACK+DECKER è stato progettato per funzionare a lungo con una manutenzione minima. Per ottenere prestazioni sempre soddisfacenti occorre avere cura dell'elettrotensile e sottoporlo a manutenzione periodica.

Il caricabatteria non richiede nessuna manutenzione salvo una regolare pulizia.

Avvertenza! Prima di eseguire interventi di manutenzione sull'elettrotensile, estrarre la batteria. Scollegare l'alimentatore dalla spina prima di pulirlo.

- ◆ Pulire regolarmente le prese di ventilazione dell'elettrotensile e dell'alimentatore con un pennello con un panno morbido e asciutto.
- ◆ Il vano del motore deve essere pulito regolarmente con un panno umido. Non usare materiali abrasivi o detergenti a base di solventi.
- ◆ Aprire regolarmente il mandrino e batterlo leggermente per eliminare la polvere dall'interno.

Protezione dell'ambiente



Raccolta differenziata. I prodotti e le batterie contrassegnati con questo simbolo non devono essere smaltiti con i rifiuti domestici normali.

Essi contengono materiali che possono essere recuperati o riciclati riducendo la richiesta di materie prime. Riciclare i prodotti elettrici e le batterie secondo le disposizioni locali. Ulteriori informazioni sono disponibili all'indirizzo www.2helpU.com.

Dati tecnici

		BDCR18 (H1)
Tensione in ingresso	V_{DC}	18
Regime a vuoto	Min^{-1}	0-3000
Lunghezza corsa	mm	22
Peso	kg	1.5

Caricabatterie		905902**/ N4940**	905998**/ 906349**
Tensione in ingresso	V_{AC}	100-240	220-240
Tensione in uscita	V_{DC}	8-20	8-20
Corrente	mA	400	1000
Tempo di carica approssimativo	Ore	3-11	1.5-5

Batteria (dove in dotazione)		BL2018*	BL1518*	BL2518*	BL4018
Voltage	V_{DC}	18	18	18	18
Capacity	Ah	2.0	1.5	2.5	4.0
Type		Li-Ion	Li-Ion	Li-Ion	Li-Ion

Livello di pressione sonora misurato in base a EN 60745:

Pressione sonora (L_{pA}) 79.5 dB(A), incertezza (K) 3 dB(A)

Pressione sonora (L_{WA}) 90.5 dB(A), incertezza (K) 3 dB(A)

Valori totali vibrazioni (somma vettoriale triassiale) in base a EN 60745:

Taglio di assi ($a_{h,B}$) 17.9 m/s^2 , incertezza (K) 1.5 m/s^2

Taglio di travi di legno ($a_{h,WB}$) 19.7 m/s^2 , incertezza (K) 1.5 m/s^2

Dichiarazione di conformità CE

DIRETTIVA MACCHINE



Sega a gattuccio BDCR18

Black & Decker dichiara che i prodotti descritti al paragrafo "Dati tecnici" sono conformi a:
EN60745-1:2009+A11:2010, EN60745-2-11:2010

Questi prodotti sono anche conformi alle Direttive
2006/42/CE, 2014/30/UE e 2011/65/UE.

Per ulteriori informazioni, contattare Black & Decker al seguente indirizzo oppure consultare l'ultima di copertina del manuale..

Il sottoscritto è responsabile della redazione di questo documento tecnico e rilascia la presente dichiarazione per conto di Black & Decker.

Ray Laverick

Direttore tecnico

Black & Decker Europe, 210 Bath Road, Slough,
Berkshire, SL1 3YD
Regno Unito
26/10/2018

Garanzia

Black & Decker è sicura della qualità dei propri prodotti e offre ai consumatori una garanzia di 24 mesi dalla data di acquisto. Il presente certificato di garanzia è complementare ai diritti legali e non li pregiudica in alcun modo. La garanzia è valida sui territori degli Stati membri dell'Unione Europea o dell'EFTA (Associazione europea di libero scambio).

Per attivare la garanzia, il reclamo deve essere effettuato in accordo con i Termini e Condizioni Black & Decker e sarà necessario presentare la prova di acquisto al venditore o all'agente di riparazione autorizzato. I Termini e condizioni della garanzia Black&Decker di 2 anni e la sede del centro di riparazioni autorizzato più vicino sono consultabili su Internet all'indirizzo www.2helpU.com, o contattando l'ufficio Black&Decker di zona all'indirizzo indicato in questo manuale.

Visitare il nostro sito www.blackanddecker.it per registrare il prodotto Black & Decker appena acquistato e ricevere gli aggiornamenti sui nuovi prodotti e le offerte speciali.

Bedoeld gebruik

De BLACK+DECKER BDCR18-reciprozaag is ontworpen voor het zagen van hout, kunststof en plaatmetaal. Dit gereedschap is uitsluitend bestemd voor consumentengebruik.

Veiligheidsinstructies**Algemene veiligheidswaarschuwingen voor elektrisch gereedschap**

Waarschuwing! Lees alle veiligheidswaarschuwingen en alle instructies. Wanneer de volgende waarschuwingen en voorschriften niet in acht worden genomen, kan dit een elektrische schok, brand of ernstig letsel tot gevolg hebben.

Bewaar alle waarschuwingen en instructies als referentiemateriaal. De hierna gebruikte term 'elektrisch gereedschap' in alle waarschuwingen die hieronder worden vermeld, heeft betrekking op elektrisch gereedschap voor gebruik op netspanning (met netsnoer) of met een accu (snoerloos).

1. Veilige werkomgeving

- a. **Houd uw werkomgeving schoon en goed verlicht.** Op rommelige of donkere plekken zullen sneller ongelukken gebeuren.
- b. **Werk niet met elektrisch gereedschap in een omgeving met explosiegevaar, zoals in de nabijheid van brandbare vloeistoffen, gassen of stof.** Elektrisch gereedschap veroorzaakt vonken die het stof of de dampen kunnen doen ontbranden.
- c. **Houd kinderen en omstanders op afstand, wanneer u met elektrisch gereedschap werkt.** Als u wordt afgeleid, kunt u de controle over het gereedschap verliezen.

2. Elektrische veiligheid

- a. **De netstekker van het gereedschap moet in het stopcontact passen. Pas de stekker nooit op enige manier aan. Gebruik geen adapterstekkers in combinatie met geaard elektrisch gereedschap.** Niet-aangepaste stekkers en passende contactdozen verminderen het risico van een elektrische schok.
- b. **Vermijd aanraking van het lichaam met geaarde oppervlakken, bijvoorbeeld buizen, verwarmingen, fornuizen en koelkasten.** Er bestaat een verhoogd risico van een elektrische schok als uw lichaam contact heeft met aarde.
- c. **Stel het gereedschap niet bloot aan regen en vocht.** Als er water in een elektrisch gereedschap dringt, verhoogt dit het risico van een elektrische schok.
- d. **Behandel het snoer voorzichtig. Gebruik het snoer niet om de lader te dragen, naar u toe te trekken of om de stekker uit het stopcontact te trekken. Houd het**

- snoer uit de buurt van warmtebronnen, olie, scherpe randen, of bewegende onderdelen. Beschadigde snoeren of snoeren die in de war zijn geraakt, verhogen het risico van een elektrische schok.
- e. **Gebruik, wanneer u buitenshuis met elektrisch gereedschap werkt, alleen verlengsnoeren die zijn goedgekeurd voor gebruik buitenshuis.** Het gebruik van een verlengsnoer dat geschikt is voor buiten vermindert het risico van een elektrische schok.
- f. **Als u met elektrisch gereedschap werkt op een vochtige locatie, gebruik dan een aardlekschakelaar (RCD).** Het gebruik van een aardlekschakelaar vermindert het risico van een elektrische schok.
3. **Persoonlijke veiligheid**
- a. **Blijf alert, let goed op wat u doet en ga met verstand te werk bij het gebruik van elektrische gereedschappen.** Gebruik het gereedschap niet als u vermoeid bent of onder de invloed van drugs, alcohol of medicatie bent.
Een moment van onoplettendheid tijdens het werken met elektrisch gereedschap kan leiden tot ernstig persoonlijk letsel.
- b. **Draag persoonlijke beschermende uitrusting. Draag altijd oogbescherming.** Beschermende uitrusting, zoals een stofmasker, antislip veiligheidsschoenen, een helm, of gehoorbescherming, gebruikt in de juiste omstandigheden, zal het risico op persoonlijk letsel verminderen.
- c. **Voorkom per ongeluk inschakelen. Controleer dat de schakelaar in de uit-stand staat voordat u het gereedschap aansluit op het stopcontact en/of de accu plaatst en voordat u het gereedschap optilt of gaat dragen.** Het dragen van elektrisch gereedschap met uw vinger op de schakelaar of het aanzetten van elektrisch gereedschap waarvan de schakelaar aan staat, kan leiden tot ongelukken.
- d. **Verwijder instelgereedschap of schroefslutels voordat u het gereedschap inschakelt.** Een steeksleutel of een inbussleutel in een draaiend deel van het gereedschap kan tot verwondingen leiden.
- e. **Reik niet buiten uw macht. Blijf altijd stevig en in balans op de grond staan.** Dit geeft u betere controle over het elektrisch gereedschap in onverwachte situaties.
- f. **Draag geschikte kleding. Draag geen loszittende kleding of sieraden. Houd uw haar, kleding en handschoenen uit de buurt van bewegende onderdelen.** Loszittende kleding, sieraden of lang haar kunnen door bewegende delen worden gegrepen.
- g. **Als voorzieningen voor stofafzuiging of stofopvang kunnen worden gemonteerd, controleer dan dat deze zijn aangesloten en op de juiste wijze worden gebruikt.** Het gebruik van stofafzuiging kan aan stof gerelateerde gevaren verminderen.
- h. **Word niet gemakzuchtig doordat u door veelvuldig gebruik vertrouwd bent geraakt met het gereedschap, en verlies niet de veiligheidsbeginselen uit het oog.** Een onvoorzichtige handeling kan in een fractie van een seconde ernstig letsel tot gevolg hebben.
4. **Gebruik en onderhoud van elektrisch gereedschap**
- a. **Overbelast het elektrisch gereedschap niet. Gebruik het juiste elektrisch gereedschap voor uw toepassing.** Met het juiste elektrisch gereedschap kunt u de werkzaamheden waarvoor het gereedschap is ontworpen, beter en veiliger uitvoeren.
- b. **Gebruik het elektrisch gereedschap niet als de schakelaar niet goed werkt.** Ieder gereedschap dat niet met de schakelaar kan worden bediend, is gevaarlijk en moet worden gerepareerd.
- c. **Trek de stekker uit het stopcontact en/of de accu uit het elektrisch gereedschap voordat u het gereedschap instelt, toebehoren wisselt of het gereedschap opbergt.** Dergelijke preventieve veiligheidsmaatregelen verminderen het risico dat het elektrisch gereedschap per ongeluk wordt gestart.
- d. **Bewaar elektrisch gereedschap dat niet wordt gebruikt, buiten bereik van kinderen. Laat niet personen die er niet vertrouwd mee zijn en deze aanwijzingen niet hebben gelezen, met het gereedschap werken.** Elektrisch gereedschap is gevaarlijk in handen van ongetrainde gebruikers.
- e. **Onderhoud het gereedschap goed.** Controleer of bewegende delen van het gereedschap wel goed functioneren en niet klemmen, en of er niet onderdelen zodanig zijn gebroken of beschadigd dat de werking van het gereedschap nadelig wordt beïnvloed. Laat het gereedschap voor gebruik repareren als het beschadigd is. Veel ongelukken worden veroorzaakt door slecht onderhouden elektrisch gereedschap.
- f. **Houd zaaggereedschap scherp en schoon.** Goed onderhouden zaaggereedschap met scherpe snijvlakken loopt minder snel vast en is gemakkelijker onder controle te houden.
- g. **Gebruik elektrisch gereedschap, toebehoren, zaagjes en boortjes, enz., volgens deze aanwijzingen. Let daarbij op de arbeidsomstandigheden en de uit te voeren werkzaamheden.** Gebruik van het elektrisch gereedschap voor werkzaamheden die anders zijn dan bedoeld, kan leiden tot een gevaarlijke situatie.
- h. **Houd de handgrepen droog, schoon en vrij van olie en vet.** Gladde handgrepen en hellende oppervlakken maken het moeilijk het gereedschap veilig te hanteren en onder controle te houden in onverwachte situaties.

5. Gebruik en onderhoud van accugereedschap

- a. **Laad accu's alleen op met de deur de fabrikant aanbevolen lader.** Een lader die geschikt is voor het ene type accu, kan een risico van brand doen ontstaan bij gebruik met een andere accu.
- b. **Gebruik elektrisch gereedschap alleen in combinatie met specifiek vermelde accu's.** Het gebruik van andere accu's kan gevaar voor letsel en brand opleveren.
- c. **Houd de accu, wanneer u deze niet gebruikt, weg bij andere metalen objecten zoals paperclips, munten, sleutels, spijkers, schroeven of andere kleine metalen voorwerpen die een verbinding tot stand kunnen brengen tussen de ene pool en de andere.** Als kortsluiting tussen de polen van de accu wordt gemaakt, kan dit tot brandwonden of brand leiden.
- d. **Wanneer de accu slecht wordt behandeld, kan er vloeistof uit de accu spuiten, vermijd contact met deze vloeistof. Als er per ongeluk contact ontstaat, spoel dan met water. Als de vloeistof in de ogen komt, roep dan tevens medische hulp in.** Vloeistof uit de accu kan irritatie en brandwonden veroorzaken.
- e. **Gebruik niet accu's of gereedschappen die beschadigd zijn of waaraan wijzigingen zijn aangebracht.** Beschadigde of gemodificeerde accu's kunnen zich onvoorspelbaar gedragen wat brand, explosie of een risico van letsel met zich mee kan brengen.
- f. **Stel een accu of gereedschap niet bloot aan vuur of uitzonderlijk hoge temperaturen.** Blootstelling aan brand of een temperatuur boven 130° C kan explosie tot gevolg hebben.
- g. **Volg alle instructies voor het opladen en laad de accu of het gereedschap niet bij een temperatuur buiten het temperatuurbereik dat wordt opgegeven in de instructies.** Onjuist opladen of opladen bij temperaturen buiten het opgegeven bereik kan de accu beschadigen en het risico van brand vergroten.

6. Service

- a. **Laat het gereedschap alleen repareren door gekwalificeerd en vakkundig personeel en alleen met originele vervangingsonderdelen.** De veiligheid van het gereedschap blijft dan gewaarborgd.
- b. **Voer nooit servicewerkzaamheden uit aan accu's.** Alleen de fabrikant of een geautoriseerd servicecentrum mag servicewerkzaamheden aan accu's uitvoeren.

Aanvullende veiligheidswaarschuwingen voor elektrisch gereedschap



Waarschuwing! Aanvullende veiligheidswaarschuwingen voor handzagen

- ◆ **Houd het gereedschap vast bij de geïsoleerde greepoppervlakken als u een handeling uitvoert waarbij het snijdende hulpstuk met onzichtbare draden in aanraking kan komen.** Als een draad onder spanning wordt geraakt door het snijdende hulpstuk, komen onbedekte metalen onderdelen van het gereedschap onder spanning te staan en kunt u een elektrische schok krijgen.
- ◆ **Houd het gereedschap vast bij de geïsoleerde greepoppervlakken als u een handeling uitvoert waarbij het bevestigingsmateriaal met onzichtbare draden in aanraking kan komen.** Als een draad onder spanning wordt geraakt met het bevestigingsmateriaal, komen onbedekte metalen onderdelen van het gereedschap onder spanning te staan en kunt u een elektrische schok krijgen.
- ◆ **Gebruik klemmen of een andere praktische manier om het werkstuk op een stabiel platform vast te zetten en te steunen.** Als u het werkstuk met de hand of tegen uw lichaam vasthoudt, is het niet stabiel en kunt u de controle over het gereedschap verliezen.
- ◆ **Blijf met uw handen uit de buurt van het snijgebied.** Steek uw handen nooit onder het werkstuk. Blijf met uw vingers en duim uit de buurt van het heen en weer bewegende blad en van de heen en weer bewegende bladklem. Houd de zaag niet in evenwicht door de zool vast te houden.
- ◆ **Houd bladen scherp.** Door botte of beschadigde bladen kan de zaag onder druk afwijken of blijven steken. Gebruik altijd het juiste type zaagblad voor het werkstukmateriaal en het type zaagsnede.
- ◆ **Als u een pijp of buis gaat doorzagen, controleert u of deze geen water, elektrische bedrading, enzovoort, bevat.**
- ◆ **Raak het werkstuk of het blad niet meteen na het zagen aan.** Ze kunnen zeer heet worden.
- ◆ **Wees bedacht op verborgen gevaren. Controleer waar zich bedrading en leidingen bevinden voordat u in muren, vloeren of plafonds zaagt.**
- ◆ **Nadat u de schakelaar hebt losgelaten blijft het blad bewegen.** Schakel het gereedschap altijd uit en wacht tot het zaagblad volledig tot stilstand is gekomen voordat u het gereedschap neerlegt.

Waarschuwing! De waarde voor trillingsemissie tijdens het werkelijke gebruik van het gereedschap kan verschillen van de aangegeven waarde afhankelijk van de manieren waarop het gereedschap wordt gebruikt. Het trillingsniveau kan hoger worden dan het aangegeven niveau.

- ◆ In deze instructiehandleiding wordt ingegaan op het beoogde gebruik. Het gebruik van andere accessoires of hulpstukken dan wel de uitvoering van andere handelingen met dit gereedschap dan in deze gebruikershandleiding worden aanbevolen, kan tot persoonlijk letsel en/of schade aan eigendom leiden.

Aanvullende veiligheids waarschuwingen voor elektrisch gereedschap



Waarschuwing! Aanvullende veiligheids waarschuwingen voor decoupeerzagen en reciprozagen

- ◆ **Houd het elektrisch gereedschap vast bij de geïsoleerde handgrepen wanneer u een bedieningshandeling uitvoert waarbij met verborgen bedrading kan worden geraakt.**
Accessoires van gereedschap die in contact komen met bedrading waar spanning op staat, kunnen metalen onderdelen van het gereedschap onder stroom zetten en de gebruiker een elektrische schok geven.
- ◆ **Zet met klemmen en op andere praktische manieren het werkstuk op een stabiele ondergrond vast.**
Wanneer u het werkstuk vasthoudt met de hand of het tegen uw lichaam gedrukt houdt, is het instabiel en kunt u de controle verliezen.
- ◆ **Blijf met uw handen uit de buurt van het zaaggebied.**
Reik nooit, om welke reden dan ook, met uw hand onder het werkstuk. Blijf met uw vingers en duim uit de buurt van het roterende zaagblad en de zaagbladklem. Houd de zaag niet in evenwicht door de zool vast te pakken.
- ◆ **Houd zaagbladen scherp.** Botte of beschadigde zaagbladen kunnen maken dat de zaag gaat slingeren en onder druk vastloopt. Gebruik altijd het juiste type zaagblad voor het materiaal van het werkstuk en het type zaagsnede.
- ◆ **Wanneer u een buis of een stuk leiding zaagt, let er dan op dat er geen water, elektrische bedrading, enz. in zit.**
- ◆ **Raak het werkstuk of zaagblad niet aan direct na het werken met het gereedschap.** Zij kunnen zeer heet worden.
- ◆ **Houdt rekening met verborgen gevaren, voordat u in wanden, vloeren of plafonds zaagt, voer een controle uit op de locatie van bedrading en leidingen.**
- ◆ **Wanneer u de schakelaar loslaat, komt het zaagblad niet onmiddellijk tot stilstand.** Schakel het gereedschap altijd uit en wacht tot het zaagblad volledig tot stilstand is gekomen voordat u het gereedschap neerlegt.

Waarschuwing! Contact met of inademing van het stof dat bij het zagen vrijkomt, kan de gezondheid van de gebruiker en mogelijke omstanders in gevaar brengen. Draag een stofmasker dat speciaal is ontworpen ter bescherming tegen stof en dampen, en zorg ervoor dat andere personen op de werkplek ook zijn beschermd.

- ◆ Het bedoeld gebruik wordt beschreven in deze gebruiksaanwijzing.
- ◆ Het gebruik van andere accessoires of hulpstukken dan wel de uitvoering van andere handelingen met dit gereedschap dan in deze gebruikershandleiding worden

aanbevolen, kan leiden tot persoonlijk letsel en/of schade aan eigendommen.

Veiligheid van anderen

Laat nooit kinderen, personen met verminderde fysieke, zintuiglijke of mentale vermogens of met een gebrek aan ervaring en kennis of mensen die niet bekend zijn met deze instructies, de machine gebruiken, plaatselijk zal er misschien een leeftijdslimiet voor gebruikers gelden.

Overige risico's

Er kunnen zich bij het gebruik van dit gereedschap nog meer risico's voordoen, die mogelijk niet in de bijgesloten veiligheids waarschuwingen worden beschreven. Deze risico's kunnen zich voordoen door onoordeelkundig gebruik, langdurig gebruik, enz.

Zelfs wanneer de veiligheidsvoorschriften in acht worden genomen en de veiligheidsvoorzieningen worden gebruikt, kunnen bepaalde risico's niet worden uitgesloten. Dit zijn onder meer:

- ◆ Verwondingen die worden veroorzaakt door het aanraken van draaiende of bewegende onderdelen.
- ◆ Verwondingen die worden veroorzaakt bij het vervangen van onderdelen, bladen of accessoires.
- ◆ Verwondingen die worden veroorzaakt door langdurig gebruik van het gereedschap. Wanneer u langere periodes met de machine werkt, kunt u het beste regelmatig een pauze nemen.
- ◆ Gehoorbeschadiging.
- ◆ Gezondheidsrisico's als gevolg van het inademen van stof dat door gebruik van het gereedschap wordt veroorzaakt (bijvoorbeeld tijdens het werken met hout, met name eiken, beuken en MDF).

Trillingen

De aangegeven waarden voor trillingsemmissie in de technische gegevens en de conformiteitverklaring, zijn gemeten conform een standaardtestmethode die door EN60745 wordt verstrekt. Hiermee kan het ene gereedschap met het andere worden vergeleken. De aangegeven waarde voor trillingsemmissie kan ook worden gebruikt bij een voorlopige bepaling van blootstelling.

Waarschuwing! De waarde voor trillingsemmissie tijdens het werkelijke gebruik van het gereedschap kan verschillen van de aangegeven waarde afhankelijk van de manieren waarop het gereedschap wordt gebruikt. Het trillingsniveau kan toenemen tot boven het aangegeven niveau.

Bij beoordeling van de blootstelling aan trillingen met het doel vast te stellen welke veiligheidsmaatregelen 2002/44/EG vereist ter bescherming van personen die tijdens hun werk regelmatig elektrisch gereedschap gebruiken, moet bij een inschatting van de blootstelling aan trillingen rekening worden gehouden met de werkelijke gebruiksomstandigheden en

de manier waarop het gereedschap wordt gebruikt. Daarbij moet ook rekening worden gehouden met alle onderdelen van de bedrijfscyclus, zoals wanneer het gereedschap wordt uitgeschakeld en wanneer het gereedschap stationair loopt en ook de aanlooptijd.

Labels op het gereedschap

Naast de datumcode is het gereedschap voorzien van de volgende symbolen:



Waarschuwing! De gebruiker moet de instructiehandleiding lezen om het risico op letsel te beperken.

Aanvullende veiligheidsinstructies voor accu's en laders (waar geleverd)

Accu's

- ◆ Probeer niet om accu's te openen, om welke reden ook.
- ◆ Stel de accu niet bloot aan water.
- ◆ Bewaar deze niet op locaties met temperaturen van meer dan 40 °C.
- ◆ Laad de accu's alleen op bij een omgevingstemperatuur van 10-40 °C.
- ◆ Gebruik alleen de lader die bij het apparaat is geleverd.
- ◆ Gooi lege accu's weg volgens de instructies in het gedeelte "Milieu".



Laad beschadigde accu's niet op.

Laders

- ◆ Gebruik de lader van BLACK+DECKER alleen voor de accu's in het apparaat waarbij de lader is bijgeleverd. Andere batterijen kunnen exploderen met letsel en materiële schade als gevolg.
- ◆ Niet-laadbare accu's mogen nooit worden opgeladen.
- ◆ Een defect snoer moet direct worden vervangen.
- ◆ Stel de lader niet bloot aan water.
- ◆ Open de lader niet.
- ◆ Prik nooit met een scherp voorwerp in de lader.



De lader is uitsluitend bestemd voor gebruik binnenshuis.



Lees voor gebruik deze gebruikershandleiding.

Elektrische veiligheid



De lader is dubbel geïsoleerd, zodat een aardaansluiting niet nodig is. Controleer altijd of de netspanning overeenkomt met de waarde op het typeplaatje. Probeer de lader nooit te vervangen door een normale netstekker.

- ◆ Als het netsnoer is beschadigd, moet dit worden vervangen door de fabrikant of een BLACK+DECKER-servicecentrum om gevaar te voorkomen.

Onderdelen

Bij dit gereedschap worden enkele of alle van de volgende onderdelen meegeleverd.

1. Aan/uit-schakelaar
2. Ontgrendelingsknop
3. Zool
4. Ontgrendelingshendel voor bladklem
5. Zaagblad
6. Accu (waar geleverd)
7. Ontgrendelingsknop accu
8. Handgreep
9. Tweede handgreep

Figuur D (waar geleverd)

10. Lader

Monteren

Waarschuwing! Verwijder voor montage de accu van het gereedschap en controleer dat het zaagblad niet meer beweegt. Zaagbladen die kort tevoren in gebruik zijn geweest, kunnen heet zijn.

Zaagblad aanbrengen (fig. A)

- ◆ Houd het apparaat van het lichaam af.
- ◆ Open de ontgrendelingshendel van de bladklem (4) totdat deze volledig open is.
- ◆ Plaats de bladschacht vanaf de voorkant in het apparaat.
- ◆ Sluit de ontgrendelingshendel voor bladklem (4). Controleer of het blad (5) goed vastzit.

Opmerking: het blad kan met de tanden omhoog worden geïnstalleerd voor eenvoudiger reciprozagen (figuur G).

Het zaagblad verwijderen

Waarschuwing! Raak het blad niet onmiddellijk na gebruik aan. Zaagbladen die kort tevoren in gebruik zijn geweest, kunnen heet zijn.

- ◆ Open de ontgrendelingshendel van de bladklem (4) totdat deze volledig open is.
- ◆ Verwijder het blad.

Ontgrendelingsknop

Het gereedschap is voorzien van een ontgrendelingsknop om te voorkomen dat het per ongeluk wordt ingeschakeld.

- ◆ U schakelt het gereedschap in door de ontgrendelingsknop (2) in te drukken en vervolgens op de aan/uit-schakelaar (1) te drukken.
- ◆ Laat de aan-uitschakelaar (1) los om het gereedschap uit te schakelen.

De accu plaatsen en verwijderen (fig. B en C)

- ◆ U plaatst de accu (6) door deze op één lijn te plaatsen met het contragedeelte op het gereedschap. Schuif de accu in het contragedeelte en duw totdat de accu vastklikt (figuur B).
- ◆ Als u de accu (6) wilt verwijderen, drukt u op de vergrendelingsknop van de accu (7) en trekt u tegelijkertijd de accu uit het contragedeelte van het gereedschap (figuur C).

Gebruik van het apparaat

Waarschuwing! Laat het gereedschap in zijn eigen tempo werken. Niet overbelasten.

De accu laden (fig. D)

De accu moet vóór het eerste gebruik worden opgeladen en ook zodra deze niet meer voldoende vermogen levert voor taken die eerst gemakkelijk konden worden uitgevoerd. Tijdens het opladen kan de accu warm worden. Dit is normaal en duidt niet op een probleem.

Waarschuwing! Laad de batterij niet op bij een omgevingstemperatuur van lager dan 10 °C of hoger dan 40 °C. Aanbevolen laadtemperatuur: ongeveer 24 °C.

Opmerking: De accu wordt niet opgeladen als de temperatuur van de accu onder ongeveer 10 °C of boven 40 °C is.

Laat de accu in de lader zitten. De accu wordt automatisch opgeladen zodra de temperatuur van de accu is gestegen of gedaald.

- ◆ Als u de accu (6) wilt opladen, schuift u de accu in de lader (10). De accu past maar op één manier in de lader. Forceer de accu niet tijdens het aansluiten. Zorg ervoor dat de accu goed in de lader is geplaatst.
- ◆ Steek de stekker van de lader in een stopcontact. Het groene oplaadlampje begint te knipperen.

Als het groene lampje continu brandt, is de accu volledig opgeladen. De lader en de accu kunnen voor onbepaalde tijd verbonden blijven. Het groene oplaadlampje gaat knipperen wanneer de lader de accu van tijd tot tijd bijlaadt.

- ◆ Lege accu's dient u binnen een week op te laden. Als u accu's leeg bewaart, wordt de levensduur van de accu's aanzienlijk verminderd.

De accu in de lader laten zitten

U kunt de accu gedurende onbepaalde tijd in de lader laten zitten terwijl het groene oplaadlampje brandt. De lader zorgt ervoor dat de accu altijd volledig opgeladen is.

In- en uitschakelen

- ◆ U schakelt het gereedschap in door de ontgrendelingsknop (2) in te drukken en vervolgens op de aan/uitschakelaar (1) te drukken.
- ◆ Laat de aan/uitschakelaar (1) los om het gereedschap uit te schakelen.

Zagen (fig. E)

- ◆ Houd de machine altijd met beide handen vast (fig. E).
- ◆ Laat het blad (5) een paar seconden vrij bewegen voordat u begint te zagen.
- ◆ Voer slechts geringe druk op het gereedschap uit terwijl u zaagt.
- ◆ Druk indien mogelijk de zool (3) tijdens het zagen altijd tegen het werkstuk. Hierdoor hebt u meer controle over het gereedschap en treden minder trillingen op. Bovendien wordt zo voorkomen dat het blad wordt beschadigd.

Tips voor optimaal gebruik**Hout zagen (fig. F)**

- ◆ Klem het werkstuk goed vast en verwijder alle spijkers en metalen objecten.
- ◆ Houd het gereedschap met beide handen vast en druk de zool (3) tijdens het zagen tegen het werkstuk.

Reciprozagen (fig. G)

Dankzij het compacte design van de behuizing van de reciprozaagmotor en dankzij de draaibare zool (3) kunt u praktisch evenwijdig aan vloeren, hoekpunten en andere lastige gebieden zagen.

De voorziening voor reciprozagen maximaliseren:

- ◆ Plaats het zaagblad in de bladklem, zodat de tanden van het zaagblad naar boven wijzen.
- ◆ Pas de hoek van de handgreep op het gereedschap aan, zodat u zo dicht mogelijk bij het werkoppervlak bent.

Metaal zagen (fig. H)

- ◆ Gebruik een zaagblad dat geschikt is voor het zagen van metaal. Gebruik een zaagblad met fijne tanden voor ijzer en ijzerhoudende metalen en een ruwer zaagblad voor andere metalen.
- ◆ Klem bij dun plaatmetaal een stuk afvalhout aan de achterzijde van het werkstuk en zaag door beide lagen.
- ◆ Breng een oliefilm aan langs de gewenste zaaglijn.

Opening zagen in hout (fig. I)

- ◆ Meet en markeer de vereiste vorm in het hout.
- ◆ Gebruik een zaagblad dat geschikt is voor het zagen van een opening in het hout.
- ◆ Plaats de zool (3) op het werkstuk, zodat het blad de juiste hoek vormt voor de te zagen opening.
- ◆ Schakel het gereedschap in en laat het zaagblad langzaam in het werkstuk 'zakken'. Zorg ervoor dat de zool (3) altijd contact maakt met het werkstuk.

Takken zagen

U kunt met dit gereedschap takken zagen met een diameter van maximaal 25 mm.

Waarschuwing! Gebruik het gereedschap niet als u in een boom zit of als u op een ladder of ander onstabiel oppervlak staat. Wees u bewust van de waarschijnlijke valrichting van takken.

- ◆ Zaag in neerwaartse richting, weg van uw lichaam.
- ◆ Zaag de tak dicht bij de hoofdtek of boomstam af.

Verticaal zagen

Met dit gereedschap kunt u dicht bij hoeken en andere lastige gebieden zagen.

- ◆ Plaats de schacht van het zaagblad in de bladhouder, zodat de tanden van het zaagblad naar boven wijzen.
- ◆ Houd het gereedschap met de zool (3) naar beneden, zodat u zo dicht mogelijk bij het werkoppervlak bent.
- ◆ Zaag in voorwaartse richting, weg van uw lichaam.

Accessoires

De prestaties van het gereedschap zijn afhankelijk van de gebruikte accessoires.

Accessoires van BLACK+DECKER zijn ontworpen om aan hoge kwaliteitsnormen te voldoen en de prestaties van uw gereedschap te verhogen. In combinatie met deze accessoires kunt u uw gereedschap nog beter laten presteren.

Zaagbladen

De maximale lengte van een zaagblad is 30 cm. Gebruik altijd een zo kort mogelijk zaagblad voor uw project. Het zaagblad moet lang genoeg zijn om door het materiaal te zagen. Langere zaagbladen raken gemakkelijker gebogen of beschadigd tijdens het gebruik. Tijdens het zagen kunnen sommige langere bladen gaan trillen of schudden als de zaag even geen contact maakt met het werkstuk.

Onderhoud

Uw BLACK+DECKER-gereedschap is ontworpen om gedurende langere periode te functioneren met een minimum aan onderhoud. U kunt het gereedschap naar volle tevredenheid blijven gebruiken als u voor correct onderhoud zorgt en het gereedschap regelmatig schoonmaakt.

Naast regelmatige reiniging vereist de lader geen onderhoud.

Waarschuwing! Voordat u onderhoud aan het gereedschap uitvoert, verwijdert u de accu uit het gereedschap. Neem de lader uit het stopcontact voordat u deze schoonmaakt.

- ◆ Reinig regelmatig de ventilatieopeningen van het gereedschap en de lader met een zachte borstel of droge doek.
- ◆ Reinig regelmatig de behuizing van de motor met een vochtige doek. Gebruik geen schuur- of oplosmiddel.
- ◆ Open regelmatig de spanknop en tik erop om eventueel stof uit het binnenste te verwijderen.

Het milieu beschermen



Gescheiden afvalinzameling. Producten en accu's die zijn voorzien van dit symbool mogen niet bij het normale huishoudafval worden weggegooid

Producten en accu's bevatten materialen die kunnen worden teruggewonnen of gerecycled en dat doet de vraag naar grondstoffen afnemen.

Recycle elektrische producten en accu's volgens de ter plaatse geldende bepalingen. Nadere informatie is beschikbaar op www.2helpU.com

Technische gegevens

		BDCR18 (H1)
Ingangsspanning	V _{DC}	18
Onbelast toerental	Min. ⁻¹	0-3000
Slaglengte	mm	22
Gewicht	kg	1.5

Lader		905902**/ N4940**	905998**/ 906349**
Ingangsspanning	V _{AC}	100-240	220-240
Uitgangsspanning	V _{DC}	8-20	8-20
Stroom	mA	400	1000
Opladtijd bij benadering	Uur	3-11	1.5-5

Accu (waar geleverd)		BL2018*	BL1518*	BL2518*	BL4018
Voltage	V _{DC}	18	18	18	18
Capacity	Ah	2.0	1.5	2.5	4.0
Type		Li-Ion	Li-Ion	Li-Ion	Li-Ion

Geluidsdruk niveau volgens EN 60745:
Geluidsdruk (L _{BA}) 79.5 dB(A), meetonzekerheid (K) 3 dB(A)
Geluidsvermogen (L _{WA}) 90.5 dB(A), meetonzekerheid (K) 3 dB(A)

Totale trillingswaarden (som triaxvector) volgens EN 60745:
In planken zagen (a _{h,B}) 17.9 m/s ² , meetonzekerheid (K) 1.5 m/s ²
Houten balken zagen (a _{h,WB}) 19.7 m/s ² , meetonzekerheid (K) 1.5 m/s ²

EG conformiteitsverklaring
RICHTLIJN VOOR MACHINES



BDCR18 - Reciprozaag

Black & Decker verklaart dat deze producten, die zijn beschreven bij 'Technische gegevens', voldoen aan:
EN60745-1:2009+A11:2010, EN60745-2-11:2010

Deze producten voldoen tevens aan richtlijn 2006/42/EG, 2014/30/EU en 2011/65/EU.

Neem voor meer informatie contact op met Black & Decker op het volgende adres of raadpleeg de achterzijde van de handleiding.

Ondergetekende is verantwoordelijk voor de compilatie van het technische bestand en geeft deze verklaring namens Black & Decker af.

Ray Laverick
Director of Engineering
Black & Decker Europe, 210 Bath Road, Slough,
Berkshire, SL1 3YD
Verenigd Koninkrijk
26/10/2018

Garantie

Black & Decker heeft vertrouwen in zijn producten en biedt consumenten een garantie van 24 maanden vanaf de datum van aankoop. Deze garantie vormt een aanvulling op uw wettelijke rechten en beperken deze niet. De garantie is geldig op het grondgebied van de Lidstaten van de Europese Unie en de Europese Vrijhandelszone.

Voor een garantie-aanspraak moet uw aanspraak in overeenstemming zijn met de Voorwaarden en Conditie van Black & Decker en moet u een bewijs van aankoop overleggen aan de verkoper of aan een geautoriseerde reparatiemoniteur. Voorwaarden en condities van de 2-jarige garantie van Black&Decker en het adres van de vestiging van het geautoriseerde reparatiecentrum bij u in de buurt, kunt u vinden op internet op www.2helpU.com, of door contact op te nemen met het Black & Decker-kantoor ter plaatse, op het adres dat in deze handleiding wordt vermeld.

Bezoek onze website www.blackanddecker.nl, waar u uw nieuwe Black & Decker-product kunt registreren en informatie kunt verkrijgen over nieuwe producten en speciale aanbiedingen.

Uso previsto

La sierra de vaivén BLACK+DECKER BDCR18 se ha diseñado para serrar madera, plástico y planchas de metal. Esta herramienta está pensada únicamente para uso doméstico.

Instrucciones de seguridad

Advertencias de seguridad generales para herramientas eléctricas



Advertencia. Lea todas las advertencias de seguridad y todas las instrucciones. En caso de no atenderse a las siguientes advertencias e instrucciones de seguridad, podría producirse una descarga eléctrica, incendio o lesión grave.

Guarde todas las advertencias e instrucciones para futuras consultas. El término "herramienta eléctrica" empleado en las advertencias a continuación hace referencia a la herramienta eléctrica con alimentación de red (con cable) o alimentada por batería (sin cable).

1. Seguridad del área de trabajo

- a. **Mantenga limpia y bien iluminada el área de trabajo.** Las áreas en desorden u oscuras pueden provocar accidentes.
- b. **No utilice herramientas eléctricas en entornos con peligro de explosión, como aquellos en los que haya líquidos, gases o material en polvo inflamables.** Las herramientas eléctricas originan chispas que pueden inflamar el polvo o los gases.
- c. **Mantenga alejados a los niños y a otras personas del área de trabajo al emplear la herramienta eléctrica.** Las distracciones pueden ocasionar que pierda el control.

2. Seguridad eléctrica

- a. **El enchufe de la herramienta eléctrica debe corresponder a la toma de corriente utilizada. No modifique nunca el enchufe de ninguna forma. No utilice ningún enchufe adaptador con las herramientas eléctricas conectadas a tierra.** Los enchufes no modificados y las tomas de corriente correspondientes reducirán el riesgo de descarga eléctrica.
- b. **Evite que su cuerpo toque partes conectadas a tierra como tuberías, radiadores, cocinas y refrigeradores.** Existe un mayor riesgo de descarga eléctrica si su propio cuerpo está conectado a tierra.
- c. **No exponga las herramientas eléctricas a la lluvia y evite que penetren líquidos en su interior.** Si entra agua a una herramienta eléctrica aumentará el riesgo de descarga eléctrica.

- d. **Cuide el cable de alimentación. No lo utilice para transportar, tirar o desenchufar el cargador. Mantenga el cable alejado del calor, aceite, bordes afilados y piezas en movimiento.** Los cables dañados o enredados aumentan el riesgo de descarga eléctrica.
 - e. **Al trabajar con la herramienta eléctrica en la intemperie utilice solamente cables de prolongación homologados para su uso en exteriores.** La utilización de un cable adecuado para el uso en exteriores reduce el riesgo de descarga eléctrica.
 - f. **Si la utilización de una herramienta eléctrica en un lugar húmedo es inevitable, utilice una fuente protegida con un dispositivo diferencial residual (DDR).** El uso de un dispositivo diferencial residual reduce el riesgo de descarga eléctrica.
- 3. Seguridad personal**
- a. **Esté atento a lo que hace y emplee la herramienta eléctrica con prudencia. No maneje una herramienta eléctrica cuando esté cansado o bajo los efectos de drogas, medicamentos o alcohol.**
Un momento de falta de atención cuando se manejan las herramientas eléctricas puede ocasionar lesiones personales graves.
 - b. **Utilice un equipo de protección personal. Utilice siempre protección ocular.** El uso del equipo protector como mascarillas antipolvo, calzado antideslizante, casco o protección auditiva para condiciones apropiadas reducirá las lesiones personales.
 - c. **Evite que la herramienta se ponga en marcha accidentalmente. Asegúrese de que el interruptor se encuentre en la posición de apagado antes de conectar la herramienta a la fuente de alimentación o a la batería, o de coger o transportar la herramienta.** Transportar herramientas eléctricas con el dedo puesto en el interruptor o herramientas eléctricas activadoras que tengan el interruptor encendido puede provocar accidentes.
 - d. **Retire las herramientas de ajuste o llaves fijas antes de conectar la herramienta eléctrica.** Dejar una llave inglesa u otra llave puesta en una pieza en movimiento de la herramienta eléctrica puede ocasionar lesiones personales.
 - e. **Sea precavido. Mantenga un equilibrio adecuado y la estabilidad constantemente.** Esto permite un mejor control de la herramienta eléctrica en situaciones inesperadas.
 - f. **Lleve puesta una vestimenta de trabajo adecuada. No se ponga ropa suelta o joyas. Mantenga el cabello, la ropa y los guantes alejados de las piezas en movimiento.** La ropa suelta, las joyas y el pelo largo pueden quedar atrapados en las piezas en movimiento.
 - g. **Siempre que sea posible utilizar unos equipos de aspiración o captación de polvo, asegúrese de que estén montados y se utilicen correctamente.** El uso de equipo de recogida de polvo puede reducir los riesgos relacionados con el polvo.
 - h. **Evite que la familiaridad adquirida con el uso frecuente de las herramientas le haga confiarse demasiado e ignorar las normas de seguridad de las herramientas.** Un descuido puede causar lesiones graves en una fracción de segundo.
- 4. Uso y cuidado de herramientas eléctricas**
- a. **No sobrecargue la herramienta eléctrica. Use la herramienta eléctrica correcta para su trabajo.** La herramienta eléctrica correcta funcionará mejor y con mayor seguridad si se utiliza de acuerdo con sus características técnicas.
 - b. **No utilice herramientas eléctricas con un interruptor defectuoso.** Toda herramienta eléctrica que no pueda controlarse con el interruptor es peligrosa y debe ser reparada.
 - c. **Desconecte el enchufe de la herramienta eléctrica de la fuente de alimentación y la batería antes de realizar cualquier ajuste, cambiar accesorios o guardar la herramienta.** Dichas medidas de seguridad preventivas reducen el riesgo de poner en marcha accidentalmente la herramienta eléctrica.
 - d. **Guarde las herramientas eléctricas fuera del alcance de los niños y de las personas que no estén familiarizadas con su uso.** Las herramientas eléctricas son peligrosas en manos de personas no capacitadas.
 - e. **Realice el mantenimiento de sus herramientas eléctricas.**
Controle si funcionan correctamente, sin atascarse, las partes móviles de la herramienta eléctrica, y si existen partes rotas o deterioradas que pudieran afectar al funcionamiento de la herramienta. Si la herramienta eléctrica está dañada, llévela para que sea reparada antes de utilizarla. Se ocasionan muchos accidentes por el mal mantenimiento de las herramientas eléctricas.
 - f. **Mantenga las herramientas de corte limpias y afiladas.** Hay menos probabilidad de que las herramientas de cortar con bordes afilados se bloqueen, y son más fáciles de controlar.
 - g. **Utilice la herramienta eléctrica, los accesorios, los útiles de la herramienta, etc. de acuerdo con estas instrucciones, y tenga en cuenta las condiciones de trabajo y la tarea que se va a realizar.** El uso de la herramienta eléctrica para operaciones que no sean las previstas puede ocasionar una situación peligrosa.
 - h. **Mantenga las empuñaduras y superficies de agarre secas, limpias y libres de aceite y grasa.** Las

empuñaduras resbalosas y las superficies engrasadas impiden aferrar y controlar la herramienta en situaciones imprevistas.

5. Uso y cuidado de la herramienta de baterías

- Recárguela sólo con el cargador especificado por el fabricante.** Un cargador adecuado para un tipo de batería puede provocar riesgos de incendios al ser utilizado con otra batería.
- Utilice las herramientas eléctricas solamente con las baterías recomendadas.** El uso de otras baterías puede suponer un riesgo de incendio y lesiones.
- Cuando no utilice la batería, manténgala alejada de objetos de metal como clips para papel, monedas, llaves, clavos, tornillos y otros pequeños objetos metálicos que pueden realizar una conexión de un terminal a otro.** Si se produce un cortocircuito entre los terminales de la batería, pueden ocasionarse incendios o quemaduras.
- En caso de uso indebido, puede salir líquido de la batería, evite el contacto. Si se produce un contacto accidental, lave con agua. Si el líquido se pone en contacto con los ojos, acuda además a un médico.** El líquido expulsado de la batería podrá provocar irritaciones o quemaduras.
- No use la batería ni la herramienta si están dañadas o han sido modificadas.** Las baterías dañadas o modificadas pueden tener reacciones imprevistas y causar incendios, explosión o riesgo de lesiones.
- No exponga la batería o la herramienta al fuego o a temperaturas excesivas.** La exposición al fuego o a una temperatura superior a 130 °C puede causar una explosión.
- Siga las instrucciones de carga y no cargue la batería o la herramienta fuera del rango de temperatura especificada en las instrucciones.** La carga incorrecta o fuera del rango de temperatura especificado puede dañar la batería y aumentar el riesgo de incendio.

6. Reparaciones

- Esta herramienta eléctrica puede ser reparada solo por personal técnico autorizado que emplee exclusivamente piezas de repuesto originales.** Así se asegurará que se mantenga la seguridad de la herramienta eléctrica.
- Nunca repare la batería si está dañada.** La reparación de la batería puede ser efectuada únicamente por el fabricante o los proveedores de servicio autorizados.

Advertencias de seguridad adicionales para herramientas eléctricas



¡Atención! Advertencias de seguridad adicionales para sierras de mano

- ◆ **Sujete la herramienta eléctrica por la superficie protegida cuando realice una operación en la que el accesorio de corte pueda entrar en contacto con cableado oculto.** El contacto del accesorio de corte con un cable conectado a la red eléctrica podría hacer que las partes metálicas expuestas de la herramienta eléctrica transmitieran esa electricidad y podrían producir una descarga al usuario.
 - ◆ **Sujete la herramienta eléctrica por la superficie protegida cuando realice una operación en la que el accesorio de corte pueda entrar en contacto con cableado oculto.** Si algún elemento de sujeción entra en contacto con un cable conectado a la red eléctrica, podría provocar que las partes metálicas de la herramienta eléctrica transmitieran esa electricidad y produjeran una descarga al usuario.
 - ◆ **Utilice pinzas u otro método práctico para asegurar y sujetar la pieza de trabajo a una plataforma estable.** Si sostiene la pieza con la mano o contra el cuerpo, podría provocar su inestabilidad y perder el control.
 - ◆ **Mantenga las manos alejadas de la zona de corte.** No meta nunca la mano bajo la pieza de trabajo. No introduzca los dedos en los alrededores de la cuchilla de vaivén ni en el enganche de esta. No agarre la zapata para estabilizar la sierra.
 - ◆ **Mantenga las cuchillas afiladas.** La hojas flojas o dañadas pueden provocar que la sierra dé un viraje brusco o se paralice al ejercer la presión para el corte. Utilice siempre el tipo de hoja de sierra apropiado para cada material de trabajo y tipo de corte.
 - ◆ **Al cortar una cañería o tubo, asegúrese de que no contiene restos de agua, cableado eléctrico, etc.**
 - ◆ **No toque la pieza de trabajo o la hoja justo después de utilizar la herramienta.** Pueden alcanzar temperaturas muy elevadas.
 - ◆ **Tenga en cuenta los peligros ocultos, antes de serrar paredes, suelos o techos, compruebe la ubicación de los cables y tubos.**
 - ◆ **La hoja seguirá moviéndose después de soltar el interruptor.** No se olvide nunca de apagar la herramienta y de esperar a que la hoja se detenga completamente antes de soltarla.
- ¡Atención! El valor de emisión de vibraciones durante el funcionamiento real de la herramienta eléctrica puede diferir del valor declarado en función de cómo se utilice dicha herramienta. El nivel de las vibraciones puede superar el indicado.
- ◆ En este manual de instrucciones se describe el uso para el que se ha diseñado el aparato. La utilización de accesorios o la realización de operaciones con esta herramienta distintas de las recomendadas en este manual de instrucciones puede implicar un riesgo de lesiones o daños materiales.

Advertencias de seguridad adicionales para herramientas eléctricas



Advertencia. Advertencias de seguridad adicionales para las sierras de calar y sierras con movimiento alternativo

- ◆ **Aferre la herramienta por las superficies de agarre aisladas cuando realice una operación de corte en la que el accesorio de corte pueda entrar en contacto con un cable oculto.** El contacto de los accesorios de corte con un cable "cargado", puede cargar las partes metálicas expuestas de la herramienta eléctrica y producir una descarga eléctrica al operador.
- ◆ **Utilice fijaciones o cualquier otro método práctico para fijar y apoyar la pieza de trabajo en una plataforma estable.** Si sostiene la pieza de trabajo con las manos o con su cuerpo, esta estará inestable y podrá hacer que usted pierda el control.
- ◆ **Mantenga las manos lejos de la zona de corte.** No ponga nunca la mano debajo de la pieza de trabajo. No introduzca los dedos en los alrededores de la cuchilla de movimiento alternativo y la fijación de la hoja. No establezca la sierra agarrando la zapata.
- ◆ **Mantenga las cuchillas afiladas.** Las cuchillas desgastadas o dañadas pueden provocar que la sierra vire o se cale bajo la presión. Utilice siempre el tipo adecuado de hoja de sierra para el material de la pieza de trabajo y el tipo de corte.
- ◆ **Cuando corte tuberías o conductos, asegúrese de que no contengan agua, cables eléctricos, etc.**
- ◆ **No toque la pieza de trabajo ni la hoja justo después de utilizar la herramienta.** Pueden alcanzar temperaturas muy elevadas.
- ◆ **Preste atención a los riesgos ocultos y, antes de cortar paredes, suelos o techos, compruebe la ubicación de los cables y conductos.**
- ◆ **La hoja seguirá moviéndose después de soltar el interruptor.** Apague la herramienta y espere siempre a que la hoja se detenga completamente antes de dejar la herramienta.

Advertencia. El contacto o la inhalación del polvo procedente de las aplicaciones de corte de la sierra pueden poner en peligro la salud del usuario y de cualquier otra persona que se encuentre a su alrededor. Utilice una mascarilla antipolvo diseñada específicamente para proteger contra el polvo y los vapores y asegúrese de que las demás personas que se encuentren dentro del área de trabajo o que vayan a entrar en ella también estén protegidas.

- ◆ En este manual se describe el uso previsto.
- ◆ La utilización de accesorios o la realización de operaciones con esta herramienta distintas de las recomendadas en este manual de instrucciones puede implicar un riesgo de lesiones o daños materiales.

Seguridad de otras personas

Nunca permita que los niños ni las personas con capacidades físicas, sensoriales o mentales disminuidas; que carezcan de experiencia y conocimientos, o que no estén familiarizadas con estas instrucciones utilicen la máquina, las normativas locales pueden restringir la edad del usuario.

Riesgos residuales

El uso de esta herramienta puede producir riesgos residuales adicionales no incluidos en las advertencias de seguridad adjuntas. Estos riesgos se pueden generar por un uso incorrecto, demasiado prolongado, etc.

El cumplimiento de las normas de seguridad correspondientes y el uso de dispositivos de seguridad no evitan ciertos riesgos residuales. Dichos riesgos incluyen:

- ◆ Lesiones producidas por el contacto con piezas móviles o giratorias.
- ◆ Lesiones producidas al cambiar cualquier pieza, hoja o accesorio.
- ◆ Lesiones producidas al usar una herramienta por un tiempo demasiado prolongado. Si utiliza una herramienta durante periodos de tiempo demasiado prolongados, asegúrese de realizar pausas con frecuencia.
- ◆ Deterioro auditivo.
- ◆ Riesgos para la salud producidos al respirar el polvo que se genera al usar la herramienta (por ejemplo: en los trabajos con madera, especialmente de roble, haya y tableros de densidad mediana).

Vibración

Los valores de emisión de vibraciones declarados en el apartado de características técnicas y en la declaración de conformidad se han calculado según un método de prueba estándar proporcionado por la norma EN60745 y pueden utilizarse para comparar una herramienta con otra. El valor de emisión de vibraciones especificado también puede utilizarse en una evaluación preliminar de la exposición.

Advertencia. El valor de emisión de vibraciones durante el funcionamiento real de la herramienta eléctrica puede diferir del valor declarado en función de cómo se utilice dicha herramienta. El nivel de las vibraciones puede aumentar por encima del nivel declarado.

Al evaluar la exposición a las vibraciones con el fin de determinar las medidas de seguridad que exige la directiva 2002/44/CE para proteger a las personas que utilizan periódicamente herramientas eléctricas en el entorno laboral, deberá tenerse en cuenta una estimación de la exposición a las vibraciones, las condiciones de uso reales y el modo de empleo de la herramienta, así como los pasos del ciclo operativo como, por ejemplo, el número de veces que la herramienta se apaga, el tiempo que está parada y el tiempo de activación.

Etiquetas en la herramienta

Junto con el código de la fecha, en la herramienta aparecen los siguientes símbolos :



¡Atención! Para reducir el riesgo de lesiones, el usuario debe leer el manual de instrucciones.

Instrucciones de seguridad adicionales para baterías y cargadores (donde suministrada)

Baterías

- ◆ No intente abrirlas bajo ningún concepto.
- ◆ No exponga la batería al agua.
- ◆ No las almacene en lugares en los que la temperatura pueda superar los 40 °C.
- ◆ Realice la carga únicamente a una temperatura ambiente de entre 10 °C y 40 °C.
- ◆ Utilice únicamente el cargador suministrado con la herramienta para realizar la carga.
- ◆ Para desechar las baterías, siga las instrucciones facilitadas en la sección "Protección del medio ambiente".



No intente cargar baterías dañadas.

Cargadores

- ◆ Utilice el cargador BLACK+DECKER para cargar únicamente la batería de la herramienta con la que fue suministrado. Si intenta cargar otras baterías, estas podrían explotar y provocar lesiones y daños materiales.
- ◆ Nunca intente cargar baterías no recargables.
- ◆ Sustituya los cables defectuosos inmediatamente.
- ◆ No exponga el cargador al agua.
- ◆ No abra el cargador.
- ◆ No aplique ningún dispositivo para medir la resistencia del cargador.



Este cargador está pensado únicamente para utilizar en un lugar interior.



Lea el manual de instrucciones antes de utilizar el aparato.

Seguridad eléctrica



El cargador está provisto de doble aislamiento, por lo que no requiere una toma de tierra. Cada vez que utilice el aparato, debe comprobar que el voltaje de la red eléctrica corresponde al valor indicado en la placa de características. No intente sustituir el cargador por un enchufe convencional para la red eléctrica.

- ◆ Si se daña el cable de alimentación, el fabricante o un centro de servicio técnico autorizado de BLACK+DECKER deberán sustituirlo para evitar riesgos.

Características

Esta herramienta incluye parte o la totalidad de estas características.

1. Interruptor de encendido/apagado
2. Botón de desbloqueo
3. Zapata
4. Palanca de liberación del enganche de la hoja
5. Hoja
6. Batería (donde suministrada)
7. Botón de liberación de la batería
8. Empuñadura principal
9. Empuñadura secundaria

Figura D (donde suministrada)

10. Cargador

Montaje

¡Atención! Antes de proceder al montaje, extraiga la batería de la herramienta y asegúrese de que la hoja de sierra se haya detenido. Después de utilizar la hoja de sierra, es posible que esté caliente.

Colocación de la hoja de sierra (fig. A)

- ◆ Mantenga la herramienta alejada del cuerpo.
- ◆ Abra la palanca de liberación del enganche de la hoja (4) hasta que esté completamente abierta.
- ◆ Inserte la hoja de sierra desde la parte frontal.
- ◆ Cierre la palanca de liberación del enganche de la hoja (4). Compruebe que la hoja (5) esté sujeta firmemente.

Nota: Puede instalar la hoja con los dientes orientados hacia arriba para facilitar el corte detallado (fig. G).

Extracción de la hoja de sierra

¡Atención! No toque la hoja inmediatamente después de utilizar la herramienta. Después de utilizar la hoja de sierra, es posible que esté caliente.

- ◆ Abra la palanca de liberación del enganche de la hoja (4) hasta que esté completamente abierta.
- ◆ Extraiga la hoja.

Botón de desbloqueo

Esta herramienta cuenta con una función de desbloqueo del interruptor para evitar que se accione accidentalmente.

- ◆ Para encender la herramienta, pulse el botón de bloqueo (2) y, a continuación, pulse el interruptor de encendido/apagado (1)..
- ◆ Al soltar el interruptor de encendido/apagado (1), la herramienta se apaga.

Inserción y extracción de la batería (figs. B y C)

- ◆ Para insertar la batería (6), alinéela con el receptáculo de la herramienta. Deslice la batería dentro del receptáculo y empujela hasta que encaje en su sitio (fig. B).
- ◆ Para extraer la batería (6), pulse el botón de liberación (7) a la vez que tira de la batería para extraerla del receptáculo de la herramienta (fig. C).

Uso

¡Atención! Deje que la herramienta funcione a su ritmo. No la sobrecargue.

Carga de la batería (Fig. D)

Es necesario cargar la batería antes del primer uso y cada vez que perciba que no dispone de suficiente potencia para tareas que eran fáciles de realizar anteriormente. Es posible que la batería se caliente durante la carga, algo que es normal y no denota ningún problema.

¡Atención! No cargue la batería en temperaturas ambientales inferiores a 10 °C ni superiores a 40 °C. Temperatura de carga recomendada: aprox. 24 °C.

Nota: El cargador no cargará la batería si la temperatura de la célula es inferior a 10 °C o superior a 40 °C aproximadamente. Deje la batería en el cargador y este comenzará la carga automáticamente cuando la temperatura de la célula aumente o disminuya.

- ◆ Para cargar la batería (6), insértela en el cargador (10). La batería solo encaja en el cargador en una dirección. No la fuerce. Asegúrese de que la batería queda perfectamente encajada en el cargador.
- ◆ Enchufe el cargador y conéctelo a la red eléctrica.

El indicador de carga verde parpadeará.

La carga habrá finalizado cuando el indicador de carga verde pase a estar iluminado de manera continua. El cargador y la batería se pueden dejar conectados indefinidamente. Cuando, ocasionalmente, el cargador cargue la batería al máximo, el indicador de carga verde parpadeará.

- ◆ Cargue las baterías descargadas en el plazo de 1 semana. La vida útil de la batería disminuirá considerablemente si se almacena descargada.

Si la batería se deja en el cargador

El cargador y la batería pueden permanecer conectados durante un periodo de tiempo indefinido con el indicador de carga verde iluminado. El cargador mantendrá la batería a baja temperatura y completamente cargada.

Encendido y apagado

- ◆ Para encender la herramienta, pulse el botón de bloqueo (2) y, a continuación, pulse el interruptor de encendido/apagado (1)..
- ◆ Para apagar la herramienta, libere el interruptor de encendido/apagado (1).

Serrado (fig. E)

- ◆ Sujete siempre la herramienta con las dos manos (fig. E).
- ◆ Deje que la hoja (5) gire libremente durante unos segundos antes de empezar a cortar.
- ◆ Aplique solamente un poco de presión a la herramienta mientras realiza el corte.
- ◆ Si es posible, trabaje con la zapata (3) presionada contra la pieza de trabajo. Así mejorará su control sobre la herramienta y reducirá la vibración de esta; además, evitará que la hoja se dañe.

Consejos para un uso óptimo

Serrado de madera (fig. F)

- ◆ Utilice una abrazadera para sujetar la pieza de trabajo de manera segura y retire todos los clavos y objetos metálicos.
- ◆ Trabaje con la zapata (3) presionada contra la pieza de trabajo, mientras sujeta la herramienta con ambas manos.

Corte detallado (fig. G)

El diseño compacto de la carcasa del motor de la sierra de vaivén y la zapata pivotante (3) permiten cortar en suelos, esquinas y otras zonas difíciles.

Para maximizar las capacidades de corte en zonas difíciles:

- ◆ Introduzca el extremo de la hoja en el enganche con los dientes mirando hacia arriba.
- ◆ Ajuste el ángulo del soporte de la herramienta de manera que esté tan cerca de la superficie de trabajo como sea posible.

Serrado de metal (fig. H)

- ◆ Utilice una hoja apropiada para serrar metal. Utilice una hoja de sierra con dientes pequeños para metales ferrosos y una hoja de dentado grueso para metales no ferrosos.
- ◆ Cuando corte una plancha de metal delgada, sujete un tablero o trozo de madera en la parte trasera de la pieza de trabajo y corte el conjunto.
- ◆ Extienda una película de aceite a lo largo de la línea que va a cortar.

Corte de cavidades en madera (fig. I)

- ◆ Mida y realice las marcas necesarias para el corte que desea realizar.
- ◆ Coloque una hoja de sierra adecuada para el corte de cavidades.
- ◆ Apoye la zapata (3) en la pieza de trabajo de manera que la hoja forme un ángulo adecuado para el corte de cavidad.
- ◆ Encienda la herramienta e introduzca poco a poco la hoja en la pieza de trabajo. Compruebe que la zapata (3)

permanece siempre en contacto con la pieza de trabajo.

Corte de ramas

Con esta herramienta es posible cortar ramas de hasta 25 mm de diámetro.

¡Atención! No utilice la herramienta mientras se encuentre sobre un árbol, en una escalera u otra superficie inestable. Tenga en cuenta dónde va a caer la rama.

- ◆ Corte hacia abajo y aleje la herramienta de su cuerpo.
- ◆ Realice el corte en un punto cercano a la rama principal o al cuerpo del árbol.

Corte vertical

Esta herramienta permite realizar cortes en esquinas y otras zonas difíciles.

- ◆ Introduzca el vástago de la hoja en el enganche para hoja con los dientes mirando hacia arriba.
- ◆ Sujete la herramienta con la zapata (3) hacia abajo de manera que esté tan cerca de la superficie de trabajo como sea posible.
- ◆ Corte hacia adelante y con la herramienta lejos de su cuerpo.

Accesorios

El funcionamiento de la herramienta dependerá del accesorio que se utilice.

Los accesorios de BLACK+DECKER se han fabricado siguiendo estándares de alta calidad y se han diseñado para mejorar el funcionamiento de la herramienta. Si utiliza estos accesorios, conseguirá el máximo rendimiento de la herramienta.

Hojas

La sierra permite utilizar hojas de hasta 30 cm de longitud. Utilice siempre la hoja más corta que pueda para el trabajo que vaya a realizar, pero que sea lo suficientemente larga para cortar todo el material. Las hojas más largas presentan mayores posibilidades de doblarse o dañarse durante su uso. Durante el funcionamiento de la herramienta es posible que algunas hojas más largas vibren o se agiten si la sierra no se mantiene en contacto con la pieza de trabajo.

Mantenimiento

La herramienta BLACK+DECKER se ha diseñado para funcionar durante un largo período de tiempo con un mínimo de mantenimiento. El funcionamiento satisfactorio continuado depende de un cuidado apropiado y una limpieza periódica de la herramienta.

El cargador no requiere ningún mantenimiento especial excepto una limpieza periódica.

¡Atención! Antes de realizar alguna operación de mantenimiento en la herramienta, extraiga la batería. Desenchufe el cargador antes de limpiarlo.

- ◆ Limpie periódicamente las ranuras de ventilación de la herramienta y el cargador con un cepillo suave o paño seco.
- ◆ Limpie periódicamente la carcasa del motor con un paño húmedo. No utilice limpiadores de base abrasiva o disolventes.
- ◆ Abra regularmente el portabrocas y golpéelo suavemente para eliminar los restos de polvo que haya en su interior.

Protección del medioambiente



Recogida selectiva. Los productos y las baterías marcadas con este símbolo no se deben desechar junto con los residuos domésticos normales

Los productos y las baterías que contienen materiales que se puedan recuperar o reciclar reducen la demanda de materias primas.

Recicle los productos eléctricos y las baterías de conformidad con la normativa local. Puede obtener más información en www.2helpU.com

Datos técnicos

		BDCR18 (H1)
Voltaje de entrada	V_{DC}	18
Velocidad sin carga	Min.^{-1}	0-3000
Longitud del movimiento	mm	22
Peso	kg	1.5

Cargador		905902**/ N4940**	905998**/ 906349**
Voltaje de entrada	V_{AC}	100-240	220-240
Voltaje de salida	V_{DC}	8-20	8-20
Corriente	mA	400	1000
Tiempo aproximado de carga	Horas	3-11	1.5-5

Batería (donde suministrada)		BL2018*	BL1518*	BL2518*	BL4018
Voltage	V_{DC}	18	18	18	18
Capacity	Ah	2.0	1.5	2.5	4.0
Tipo		Li-Ion	Li-Ion	Li-Ion	Li-Ion

Nivel de presión sonora conforme a la norma EN 60745:

Presión acústica (L_{pA}) 79.5 dB(A), incertidumbre (K) 3 dB(A)

Potencia acústica (L_{WA}) 90.5 dB(A), incertidumbre (K) 3 dB(A)

Valores totales de vibración (suma vectorial triaxial) de acuerdo con la norma EN 60745:
Corte de tablonos ($a_{h, B}$) 17.9 m/s ² , incertidumbre (K) 1.5 m/s ²
Corte de vigas de madera ($a_{h, WB}$) 19.7 m/s ² , incertidumbre (K) 1.5 m/s ²

Declaración de conformidad CE
DIRECTIVA DE MÁQUINAS



Sierra de vaivén BDCR18

Black & Decker declara que los productos descritos en "datos técnicos" cumplen las normas:

EN60745-1:2009+A11:2010, EN60745-2-11:2010
Estos productos también cumplen con la Directiva 2006/42/CE, 2014/30/UE y 2011/65/UE.

Si desea obtener más información, póngase en contacto con Black & Decker a través de la siguiente dirección o consulte la contracubierta del manual.

El abajo firmante es responsable de la elaboración del archivo técnico y realiza esta declaración en nombre de Black & Decker.

Ray Laverick
Director de Ingeniería
Black & Decker Europa, 210 Bath Road, Slough,
Berkshire, SL1 3YD
Reino Unido
26/10/2018

Garantía

Black & Decker confía en la calidad de sus productos y ofrece a los consumidores una garantía de 24 meses a partir de la fecha de compra. Esta garantía es adicional a sus derechos legales y no los menoscaba en modo alguno. La garantía es válida dentro de los territorios de los Estados Miembros de la Unión Europea y del Área de Libre Comercio Europea.

Para reclamar la garantía, la reclamación se debe presentar de conformidad con las condiciones de Black & Decker. Tendrá que adjuntar un justificante de compra al vendedor o al agente técnico autorizado. Las condiciones de la garantía de 2 años de Black & Decker y la ubicación de su agente técnico autorizado más cercano se pueden obtener en Internet en www.2helpU.com o poniéndose en contacto con su oficina local de Black & Decker en la dirección que se indica en este manual.

Visite nuestro sitio web www.blackanddecker.co.uk para registrar su nuevo producto Black & Decker y recibir noticias sobre nuevos productos y ofertas especiales.

Utilização pretendida

A sua serra de movimento recíproco BLACK+DECKER BDCR18 foi concebida para serrar madeira, plástico e chapas metálicas. Esta ferramenta destina-se apenas a utilização doméstica.

Instruções de segurança

Avisos de segurança gerais para ferramentas eléctricas



Atenção! Leia todos os avisos de segurança e todas as instruções. O não cumprimento dos seguintes avisos e instruções pode resultar em choque eléctrico, incêndio e/ou graves lesões.

Guarde todos os avisos e instruções para futura referência. A expressão "ferramenta eléctrica" utilizada a seguir refere-se a ferramentas eléctricas com ligação à corrente eléctrica (com cabo) ou com bateria (sem fios).

1. **Segurança na área de trabalho**
 - a. **Mantenha a área de trabalho limpa e bem iluminada.** As áreas desorganizadas ou escuras são propensas a acidentes.
 - b. **Não trabalhe com ferramentas eléctricas em áreas com risco de explosão, nas quais se encontrem líquidos, gases ou poeiras inflamáveis.** As ferramentas eléctricas criam faíscas que poderão inflamar estas poeiras ou vapores.
 - c. **Mantenha crianças e outras pessoas afastadas durante a utilização da ferramenta eléctrica.** As distrações podem levar à perda do controlo da ferramenta.
2. **Segurança eléctrica**
 - a. **As fichas da ferramenta eléctrica devem caber na tomada. Nunca modifique a ficha de forma alguma. Não utilize fichas adaptadoras com ferramentas eléctricas ligadas à terra.** As fichas não modificadas e as tomadas compatíveis reduzem o risco de choque eléctrico.
 - b. **Evite que o corpo entre em contacto com superfícies ligadas à terra, como tubos, radiadores, fogões e frigoríficos.** Se o seu corpo estiver "ligado" à terra, o risco de choque eléctrico é maior.
 - c. **As ferramentas eléctricas não podem ser expostas a chuva nem humidade.** A entrada de água numa ferramenta eléctrica aumenta o risco de choque eléctrico.
 - d. **Manuseie o cabo com cuidado. O cabo não deve ser utilizado para transportar ou pendurar o aparelho, nem para puxar a ficha da tomada. Mantenha o cabo afastado de fontes de calor, substâncias oleosas, extremidades aguçadas ou peças móveis.** Os cabos

danificados ou emaranhados aumentam o risco de choque eléctrico.

- e. **Quando trabalhar com uma ferramenta eléctrica ao ar livre, utilize um cabo de extensão apropriado para esse fim.** A utilização de um cabo adequado para uso ao ar livre reduz o risco de choque eléctrico.
- f. **Se for inevitável trabalhar com uma ferramenta eléctrica num local húmido, utilize um dispositivo de corrente residual (RCD).** A utilização de um DCR reduz o risco de choque eléctrico.

3. Segurança pessoal

- a. **Mantenha-se alerta, tenha atenção ao que está a fazer e seja cuidadoso quando trabalhar com a ferramenta eléctrica.** Não utilize uma ferramenta eléctrica quando estiver cansado ou sob o efeito de drogas, álcool ou medicamentos.

Um momento de distração durante a utilização de ferramentas eléctricas poderá resultar em ferimentos graves.

- b. **Utilize equipamento de protecção pessoal. Use sempre uma protecção ocular.** O equipamento de protecção, como, por exemplo, uma máscara contra o pó, sapatos de segurança antiderrapantes, um capacete de segurança ou uma protecção auditiva, usado nas condições apropriadas, reduz o risco de ferimentos.
- c. **Evite arranques involuntários. Certifique-se de que o botão está desligado antes de ligar a ferramenta à corrente eléctrica e/ou à bateria, e antes de levantar ou transportar a ferramenta.** Se mantiver o dedo sobre o interruptor ao transportar ferramentas eléctricas ou se as ligar à fonte de alimentação com o interruptor ligado, isso poderá dar origem a acidentes.
- d. **Retire eventuais chaves de ajuste ou chaves de fendas antes de ligar a ferramenta eléctrica.** Uma chave de fenda ou de ajuste que se encontre numa peça em rotação da ferramenta eléctrica poderá causar lesões.
- e. **Não tente chegar a pontos fora do alcance. Mantenha sempre os pés bem apoiados e um equilíbrio apropriado.** Desta forma, será mais fácil controlar a ferramenta eléctrica em situações inesperadas.
- f. **Use vestuário adequado. Não use roupa larga ou joias. Mantenha o cabelo, a roupa e as luvas afastados das peças móveis.** As roupas largas, as joias ou o cabelo comprido podem ficar presos nestas peças.
- g. **Se for prevista a montagem de dispositivos de extracção e recolha de poeiras, assegure-se de que estão ligados e que são utilizados de forma correcta.** A utilização de dispositivos de extracção de partículas pode reduzir os riscos relacionados com as mesmas.
- h. **Não permita que o facto de estar familiarizado com a utilização frequente das ferramentas o torne complacente e ignore os princípios de segurança da**

ferramenta. Uma acção irreflectida pode causar ferimentos numa fracção de segundos.

- 4. **Utilização e manutenção da ferramenta eléctrica**
 - a. **Não sobrecarregue a ferramenta eléctrica. Utilize a ferramenta eléctrica correcta para o seu trabalho.** A ferramenta eléctrica adequada irá efetuar o trabalho de um modo mais eficiente e seguro se for utilizada de acordo com a capacidade para a qual foi concebida.
 - b. **Não utilize a ferramenta eléctrica se o interruptor não puder ser ligado nem desligado.** Qualquer ferramenta eléctrica que não possa ser controlada através do interruptor de alimentação é perigosa e tem de ser reparada.
 - c. **Desligue a ficha da tomada e/ou a bateria da ferramenta eléctrica antes de proceder a ajustes, substituir acessórios ou guardar ferramentas eléctricas.** Estas medidas de segurança preventivas reduzem o risco de ligar a ferramenta eléctrica acidentalmente.
 - d. **Mantenha as ferramentas eléctricas que não estiverem a ser utilizadas fora do alcance das crianças. Não permita que a ferramenta eléctrica seja utilizada por pessoas não familiarizadas com a mesma ou que não tenham lido estas instruções.** As ferramentas eléctricas são perigosas nas mãos de pessoas que não possuam as qualificações necessárias para as manusear.
 - e. **Proceda à manutenção das ferramentas eléctricas. Verifique se as partes móveis estão desalinhasadas ou bloqueadas, se existem peças partidas ou qualquer outra situação que possa afetar o funcionamento das ferramentas eléctricas. Se a ferramenta eléctrica estiver danificada, esta não deve ser utilizada até que seja reparada.** Muitos acidentes têm ser principal causa ferramentas eléctricas com uma manutenção insuficiente.
 - f. **Mantenha as ferramentas de corte afiadas e limpas.** As ferramentas de corte sujeitas a uma manutenção adequada, com arestas de corte afiadas, emperram com menos frequência e controlam-se com maior facilidade.
 - g. **Utilize a ferramenta eléctrica, acessórios e peças de ferramenta de acordo com estas instruções, considerando as condições de trabalho e a tarefa a ser executada.** A utilização da ferramenta eléctrica para fins diferentes dos previstos poderá resultar em situações perigosas.
 - h. **Mantenha os punhos e as pegas de fixação secos, limpos e sem qualquer óleo ou gordura.** Se tiver as mãos escorregadias e as superfícies com gordura, isso não permite um manuseamento e controlo seguros da ferramentas em situações inesperadas.

5. Utilização e cuidados a ter com a ferramenta com baterias

- a. **Carregue apenas com o carregador especificado pelo fabricante.** Um carregador adequado para um tipo de bateria pode causar um incêndio se for utilizado com outra bateria.
- b. **Utilize ferramentas eléctricas apenas com baterias específicas.** A utilização de outras baterias pode dar origem a risco de danos e incêndio.
- c. **Quando não utilizar a bateria, mantenha-a afastada de outros objectos metálicos, tais como clipes para papel, moedas, chaves, pregos, parafusos ou outros pequenos objectos metálicos que permitam fazer a ligação de um terminal para outro.** O curto-circuito de terminais das baterias pode causar queimaduras ou incêndio.
- d. **Em condições abusivas, pode derramar líquido da bateria, devendo evitar o contacto. Se tocar acidentalmente no líquido, lave bem com água. Se o líquido entrar em contacto com os olhos, consulte um médico.** O líquido derramado da bateria pode causar irritação ou queimaduras.
- e. **Não utilize uma bateria ou uma ferramenta que esteja danificada ou modificada.** As baterias danificadas ou modificadas podem ter um comportamento imprevisível, podendo dar origem a um incêndio, explosão ou risco de ferimentos.
- f. **Não exponha a bateria ou ferramenta ao fogo ou excesso de temperatura.** A exposição ou uma temperatura superior a 130 °C pode dar origem a uma explosão.
- g. **Siga todas as instruções de carregamento e não carregue a bateria ou a ferramenta fora da gama de temperaturas especificadas nas instruções.** Se o carregamento não for efectuado correctamente ou se a temperatura não estiverem de acordo com o limite especificado, a bateria pode ficar danificada e há um maior risco de incêndio.

6. Assistência

- a. **A sua ferramenta eléctrica só deve ser reparada por pessoal qualificado e só devem ser colocadas peças sobressalentes originais.** Desta forma, é garantida a segurança da ferramenta eléctrica.
- b. **Nunca repare baterias danificadas.** A reparação de baterias só deve ser efectuada pelo fabricante ou por fornecedor de serviços autorizado.

- ◆ **Segure a ferramenta eléctrica pelas áreas isoladas quando executar uma operação em que o acessório de corte possa entrar em contacto com a cablagem oculta.** Se o acessório de corte entrar em contacto com um cabo "com carga", poderá transmitir corrente eléctrica às peças metálicas expostas da ferramenta eléctrica, dando um choque ao operador.
- ◆ **Segure a ferramenta eléctrica pelas áreas isoladas quando executar uma operação em que o fixador possa entrar em contacto com a cablagem oculta..** Os fixadores em contacto com um cabo "electrificado" poderão expor peças metálicas do sistema eléctrico da ferramenta e provocar um choque eléctrico ao operador.
- ◆ **Utilize grampos ou outro meio para fixar e apoiar a peça numa plataforma estável.** Se fixar a peça com a mão ou contra o seu corpo, a peça fica instável e pode dar origem à perda de controlo.
- ◆ **Mantenha as mãos afastadas da área de corte.** Nunca manuseie a parte inferior da peça de trabalho em circunstância alguma. Não aproxime os dedos da lâmina nem do respectivo grampo. Não estabilize a serra agarrando o arrasto.
- ◆ **Mantenha as lâminas afiadas.** Lâminas embotadas ou danificadas podem desviar ou encravar a serra sob pressão. Utilize sempre o tipo apropriado de lâmina de serra para o material e tipo de corte.
- ◆ **Quando cortar tubos ou condutas, certifique-se de que estes não têm água, cablagem, etc.**
- ◆ **Não toque na peça ou na lâmina logo após a utilização da ferramenta.** Estas podem estar muito quentes.
- ◆ **Tenha cuidado com os perigos escondidos, antes de cortar em paredes, tectos ou chãoes devido à localização de fios e tubos.**
- ◆ **A lâmina irá continuar a mover-se depois de desengatar o interruptor.** Desligue sempre a ferramenta e aguarde até que a lâmina da serra pare completamente antes de pousar a ferramenta.

Atenção! O valor de emissão de vibração durante a utilização real da ferramenta eléctrica pode ser diferente do valor declarado, dependendo da forma como a ferramenta é utilizada. O nível de vibração pode aumentar acima do nível indicado.

- ◆ A utilização prevista para este aparelho está descrita no manual de instruções. A utilização de qualquer acessório ou a realização de qualquer operação com esta ferramenta que não se inclua no presente manual de instruções poderá representar um risco de ferimentos e/ou danos materiais.

Avisos de segurança adicionais para ferramentas eléctricas



Aviso! Avisos de segurança adicionais para serras de mão



Atenção! Avisos de segurança adicionais para serras eléctricas e serras de vaivém

- ◆ **Segure a ferramenta eléctrica pelas pegas isoladas quando efectuar uma operação em que a ferramenta de corte possa entrar em contacto com a cablagem oculta.** O acessório de corte que entre em contacto com um fio com tensão eléctrica poderão fazer com que as peças de metal expostas da ferramenta conduzam electricidade e electrocutem o utilizador.
- ◆ **Utilize grampos ou outro sistema prático para fixar e apoiar a peça numa plataforma estável.** Segurar a peça com a mão ou contra o corpo pode causar instabilidade e perda de controlo.
- ◆ **Mantenha as mãos afastadas da área de corte.** Nunca manuseie a parte inferior da peça de trabalho em circunstância alguma. Não introduza os dedos perto da lâmina rotativa e o grampo de lâminas. Não estabilize a serra, agarrando a base de apoio.
- ◆ **Mantenha as lâminas afiadas.** Se as lâminas estiverem embotadas, a serra pode mudar de direcção ou bloquear sob pressão. Utilize sempre o tipo adequado da lâmina da serra para o material da peça e o tipo de corte.
- ◆ **Quando cortar tubos ou condutas, certifique-se de que não têm água, ligação a cablagem elétrica, etc.**
- ◆ **Não toque na peça ou na lâmina logo após a utilização da ferramenta.** Podem ficar muito quentes.
- ◆ **Esteja atento a perigos escondidos, antes de perfurar paredes, pisos ou tectos, verifique a localização de cablagem e tubos.**
- ◆ **A lâmina irá continuar a mover-se depois de desengatar o interruptor.** Desligue sempre a ferramenta e aguarde até que a lâmina de serra pare completamente antes de pousar a ferramenta.

Atenção! O contacto ou a inalação de poeiras originadas pelas aplicações de corte poderá colocar em perigo a saúde do operador e das pessoas presentes. Utilize uma máscara especificamente concebida para proteção contra poeiras e vapores e certifique-se de que as pessoas perto da área de trabalho também estão protegidas.

- ◆ A utilização adequada é descrita neste manual de instruções.
- ◆ A utilização de qualquer acessório ou a realização de qualquer operação com esta ferramenta que não se inclua no presente manual de instruções poderá representar um risco de ferimentos e/ou danos materiais.

Segurança de terceiros

Não permita que crianças, pessoas com capacidade físicas, sensoriais ou mentais reduzidas ou falta de experiência ou conhecimentos ou não familiarizadas com estas instruções utilizem a máquina, as normas locais podem restringir a idade do operador.

Riscos residuais

Podem surgir riscos residuais adicionais durante a utilização da ferramenta, que poderão não constar nos avisos de segurança incluídos. Estes riscos podem resultar de má utilização, uso prolongado, etc.

Mesmo com o cumprimento dos regulamentos de segurança relevantes e a implementação de dispositivos de segurança, alguns riscos residuais não podem ser evitados. Estes incluem:

- ◆ Ferimentos causados pelo contacto com peças em rotação/movimento.
- ◆ Ferimentos causados durante a troca de peças, lâminas ou acessórios.
- ◆ Ferimentos causados pela utilização prolongada de uma ferramenta. Quando utilizar uma ferramenta durante períodos prolongados, certifique-se de que faz pausas regularmente.
- ◆ Danos auditivos.
- ◆ Problemas de saúde causados pela inalação de poeiras resultantes da utilização da ferramenta (exemplo: trabalhos em madeira, especialmente carvalho, faia e MDF).

Vibração

Os valores de emissão de vibração declarados na secção de dados técnicos e na declaração de conformidade foram medidos de acordo com o método de teste padrão fornecido pela EN 60745 e podem ser utilizados para comparar ferramentas. O valor de emissão de vibração declarado pode ainda ser utilizado numa avaliação preliminar de exposição.

Atenção! O valor de emissão de vibração durante a utilização real da ferramenta eléctrica pode ser diferente do valor declarado, dependendo da forma como a ferramenta é utilizada. O nível de vibração pode aumentar acima do nível indicado.

Quando avaliar a exposição da vibração para determinar as medidas de segurança exigidas pela Diretiva 2002/44/CE para proteger pessoas que utilizem regularmente ferramentas eléctricas na sua atividade profissional, deve ser considerada uma estimativa de exposição de vibração, as condições reais de utilização e o modo de utilização da ferramenta, incluindo ainda todas as partes do ciclo de funcionamento, como os períodos de inatividade e espera da ferramenta, para além do tempo de funcionamento.

Etiquetas na ferramenta

A ferramenta apresenta os seguintes símbolos de aviso juntamente com o código de data:



Aviso! Para reduzir o risco de ferimentos, o utilizador deve ler o manual de instruções.

Instruções de segurança adicionais para baterias e carregadores (onde fornecido)

Baterias

- ◆ Nunca tente abrir as baterias por motivo algum.
- ◆ Não exponha a bateria à água.
- ◆ Não as armazene em locais onde a temperatura possa exceder os 40 °C.
- ◆ Carregue apenas a temperaturas ambiente entre 10 °C e 40 °C.
- ◆ Carregue apenas com o carregador fornecido com a ferramenta.
- ◆ Quando eliminar as baterias, siga as instruções da secção "Protecção do ambiente".



Não tente carregar baterias danificadas.

Carregadores

- ◆ Utilize o seu carregador BLACK+DECKER apenas para carregar a bateria na ferramenta respectiva. Outras baterias podem rebentar, provocando ferimentos e danos.
- ◆ Nunca tente carregar baterias não recarregáveis.
- ◆ Substitua os cabos defeituosos imediatamente.
- ◆ Não exponha o carregador à água.
- ◆ Não abra o carregador.
- ◆ Não manipule o interior do carregador.



O carregador deverá ser utilizado apenas em espaços interiores.



Leia o manual de instruções antes da utilização.

Segurança eléctrica



O carregador tem um isolamento duplo, pelo que não é necessário um fio de terra. Verifique sempre se a tensão de alimentação corresponde à tensão indicada na placa de especificações. Nunca tente substituir a unidade do carregador por uma tomada normal de alimentação.

- ◆ Se o cabo de alimentação estiver danificado, terá de ser substituído pelo fabricante ou por um Centro de Assistência autorizado BLACK+DECKER, de modo a evitar lesões.

Características

Esta ferramenta inclui algumas ou todas as características seguintes.

1. Interruptor para ligar/desligar
2. Botão de bloqueio
3. Arrasto
4. Alavanca de desengate do grampo da lâmina

5. Lâmina
6. Bateria (onde fornecido)
7. Botão de desbloqueio da bateria
8. Cabo principal
9. Punho secundário

Figura D (onde fornecido)

10. Carregador

Montagem

Aviso! Antes da montagem, retire a bateria da ferramenta e certifique-se de que a lâmina da serra se encontra imobilizada. As lâminas de serra usadas poderão estar quentes.

Instalação da lâmina de serra (fig. A)

- ◆ Mantenha a ferramenta afastada do corpo.
- ◆ Abra a alavanca de desengate do grampo da lâmina (4) até ficar completamente aberta.
- ◆ Introduza a haste da lâmina a partir da frente.
- ◆ Feche a alavanca de desengate do grampo da lâmina (4). Certifique-se de que a lâmina (5) está bem fixa.

Nota: A lâmina pode ser instalada com os dentes para cima para ajudar a obter um corte com precisão (fig. G).

Remoção da lâmina da serra

Aviso! Não toque na lâmina imediatamente após a sua utilização. As lâminas de serra usadas poderão estar quentes.

- ◆ Abra a alavanca de desengate do grampo da lâmina (4) até ficar completamente aberta.
- ◆ Retire a lâmina.

Botão de bloqueio

A ferramenta está equipada com uma funcionalidade de bloqueio do interruptor para evitar o funcionamento acidental.

- ◆ Para ligar a ferramenta, pressione o botão de bloqueio (2) e, em seguida, aperte o interruptor para ligar/desligar (1).
- ◆ Libertar o interruptor para ligar/desligar (1) desliga a ferramenta.

Colocação e remoção da bateria (figs. B e C)

- ◆ Para colocar a bateria (6), alinha-a com o receptáculo na ferramenta. Deslize a bateria para dentro do receptáculo e empurre-a até que encaixe devidamente (fig. B).
- ◆ Para remover a bateria (6), pressione o botão de desbloqueio (7) enquanto retira a bateria do receptáculo da ferramenta (fig. C).

Utilização

Aviso! Deixe a ferramenta funcionar ao seu próprio ritmo. Não a sobrecarregue.

Carregamento da bateria (Fig. D)

A bateria precisa de ser carregada antes da primeira utilização e sempre que não consiga produzir energia suficiente em trabalhos habitualmente feitos sem dificuldade. A bateria pode aquecer durante o carregamento; isto é normal e não indica um problema.

Atenção! Não carregue a bateria a temperaturas ambiente inferiores a 10 °C ou superiores a 40 °C. Temperatura de carregamento recomendada: aprox. 24 °C.

Nota: O carregador não carregará a bateria se a temperatura das células for inferior a cerca de 10 °C ou superior a 40 °C. A bateria deve ser deixada no carregador e este começará a carregar automaticamente quando a temperatura das células aumentar ou diminuir.

- ◆ Para carregar a bateria (6), insira-a no carregador (10). A bateria apenas pode ser colocada no carregador de uma forma. Não force. Certifique-se de que a bateria está completamente introduzida no carregador.
- ◆ Ligue a ficha do carregador e ligue-o à corrente.

O indicador de carga verde irá piscar.

O carregamento está concluído quando o indicador de carga verde passar a aceso continuamente. O carregador e a bateria podem ficar ligados indefinidamente. O indicador de carga verde piscará quando o carregador ocasionalmente preencher a carga da bateria.

- ◆ As baterias descarregadas devem ser carregadas no espaço de 1 semana. A vida útil de uma bateria diminuirá muito se for guardada sem carga.

Deixar a bateria no carregador

O carregador e a bateria podem permanecer ligados com o indicador de carga verde aceso indefinidamente. O carregador irá manter a bateria completamente carregada.

Ligar e desligar

- ◆ Para ligar a ferramenta, pressione o botão de bloqueio (2) e, em seguida, aperte o interruptor para ligar/desligar (1).
- ◆ Para desligar a ferramenta, liberte o interruptor ligar/desligar (1).

Serrar (fig. E)

- ◆ Segure sempre a ferramenta com ambas as mãos (fig. E).
- ◆ Deixe a lâmina (5) a trabalhar livremente durante alguns segundos antes de começar a cortar.
- ◆ Exerça apenas uma ligeira pressão na ferramenta enquanto corta.
- ◆ Se for possível, trabalhe com o arrasto (3) pressionado contra a peça. Isto melhorará o controlo da ferramenta e reduzirá a vibração da mesma, evitando ainda que a lâmina fique danificada.

Sugestões para uma utilização ideal

Corte de madeira (fig. F)

- ◆ Fixe bem a peça a trabalhar e remova todos os pregos e objectos metálicos.
- ◆ Segurando a ferramenta com ambas as mãos, trabalhe com o arrasto (3) pressionado contra a peça.

Corte de precisão (fig. G)

O design compacto do compartimento do motor da serra e do arrasto giratório (3) permite cortes próximos do chão, cantos e outras áreas de difícil acesso.

Para maximizar a capacidade de corte com precisão:

- ◆ Insira o veio da lâmina no grampo de lâminas com os dentes virados para cima.
- ◆ Ajuste o ângulo do punho da ferramenta de modo a estar o mais próximo possível da superfície de trabalho.

Corte de metal (fig. H)

- ◆ Utilize uma lâmina de serra adequada para serrar metal. Utilize uma lâmina de dentes finos para metais ferrosos e uma lâmina de dentes largos para metais não ferrosos.
- ◆ Ao cortar folhas de metal finas, coloque fragmentos de madeira na superfície de fundo da peça e corte no meio deste painel composto.
- ◆ Espalhe uma camada fina de óleo ao longo da linha de corte pretendida.

Cortes pequenos em madeira (fig. I)

- ◆ Meça e marque o corte pequeno pretendido.
- ◆ Coloque uma lâmina de serra adequada para cortes pequenos.
- ◆ Encoste a protecção (3) à peça de tal forma que a lâmina forme um ângulo adequado ao corte pequeno.
- ◆ Ligue a ferramenta e insira lentamente a lâmina na peça. Certifique-se de que a protecção (3) se mantém sempre em contacto com a peça.

Corte de ramos

Esta ferramenta permite cortar ramos com um diâmetro máximo de 25.

Atenção! Não utilize esta ferramenta sobre uma árvore, uma escada ou qualquer outra superfície instável. Esteja atento ao local onde o ramo irá cair.

- ◆ Efectue o corte no sentido descendente e afastado do seu corpo.
- ◆ Faça o corte próximo do ramo principal ou do tronco da árvore.

Corte vertical

A ferramenta permite cortar próximo de cantos e de outros locais de difícil acesso.

- ◆ Insira a haste da lâmina no porta-lâminas com os dentes virados para cima.
- ◆ Segure a ferramenta com o arrasto (3) virado para baixo, de modo a estar o mais próximo possível da superfície de trabalho.
- ◆ Efectue o corte para a frente e afastado do seu corpo.

Acessórios

O desempenho da sua ferramenta depende do acessório utilizado.

Os acessórios BLACK+DECKER são concebidos segundo normas de elevada qualidade e desenvolvidos de modo a melhorar o desempenho da sua ferramenta. Ao utilizar estes acessórios, obterá o melhor desempenho da sua ferramenta.

Lâminas

A serra aceita lâminas até 30 cm de comprimento. Utilize sempre a lâmina mais curta adequada ao seu trabalho, mas suficientemente comprida para cortar a espessura do material. As lâminas mais compridas têm maior probabilidade de ficarem deformadas ou danificadas durante a utilização. Durante o funcionamento, algumas lâminas mais compridas podem vibrar ou tremer se não mantiver a serra em contacto com a peça.

Manutenção

A sua ferramenta BLACK+DECKER foi concebida para funcionar durante muito tempo com um mínimo de manutenção. Um funcionamento contínuo e satisfatório depende de uma manutenção adequada e da limpeza regular da ferramenta.

O seu carregador não necessita de manutenção para além da limpeza regular.

Atenção! Antes de ser realizada qualquer operação de manutenção na ferramenta, remova a bateria da ferramenta. Desligue o carregador antes de o limpar.

- ◆ Limpe regularmente as saídas de ventilação da ferramenta e o carregador com uma escova suave ou um pano seco.
- ◆ Limpe regularmente o compartimento do motor com um pano húmido. Não utilize nenhum produto de limpeza abrasivo ou a base de solvente.
- ◆ Abra o mandril regularmente e sacuda para remover qualquer vestígio de pó do seu interior.

Proteção do ambiente



Faça uma recolha de lixo seletiva. Os produtos e baterias assinalados com este símbolo não devem ser eliminados em conjunto com resíduos domésticos normais

Os produtos e as baterias contêm materiais que podem ser recuperados ou reciclados, reduzindo assim a necessidade de matérias-primas.

Recicle os produtos eléctricos e as baterias de acordo com as disposições locais. Estão disponíveis mais informações em www.2helpU.com

Dados técnicos

		BDCR18 (H1)
Tensão de entrada	V _{DC}	18
Velocidade sem carga	Min. ⁻¹	0-3000
Curso	mm	22
Peso	kg	1.5

Carregador		905902**/ N4940**	905998**/ 906349**
Tensão de entrada	V _{AC}	100-240	220-240
Tensão de saída	V _{DC}	8-20	8-20
Corrente	mA	400	1000
Tempo aproximado de carga	Horas	3-11	1.5-5

Bateria (onde fornecido)		BL2018*	BL1518*	BL2518*	BL4018
Voltage	V _{DC}	18	18	18	18
Capacity	Ah	2.0	1.5	2.5	4.0
Tipo		Li-Ion	Li-Ion	Li-Ion	Li-Ion

Nível de pressão acústica, de acordo com a norma EN 60745:

Pressão acústica (L_{pA}) 79.5 dB(A), imprecisão (K) 3 dB(A)

Potência acústica (L_{WA}) 90.5 dB(A), imprecisão (K) 3 dB(A)

Valores totais de vibração (soma vectores triax) de acordo com a norma EN 60745:

Corte de tábuas (a_{h, B}) 17.9 m/s², imprecisão (K) 1.5 m/s²

Corte de vigas de madeira (a_{h, WB}) 19.7 m/s², imprecisão (K) 1.5 m/s²

Declaração de conformidade CE

DIRECTIVA "MÁQUINAS"



BDCR18 - Serra de movimento recíproco

A Black & Decker declara que os produtos descritos nos "dados técnicos" estão em conformidade com: EN60745-1:2009+A11:2010, EN60745-2-11:2010

Estes produtos respeitam também a Directiva 2006/42/CE, 2014/30/UE e 2011/65/UE.

Para mais informações, contacte a Black & Decker no endereço indicado em seguida ou consulte a parte posterior do manual.

O signatário é responsável pela compilação do ficheiro técnico e efectua esta declaração em nome da Black & Decker.

Ray Laverick
Director de Engenharia
Black & Decker Europe, 210 Bath Road, Slough,
Berkshire, SL1 3YD
Reino Unido
26/10/2018

Garantia

A Black & Decker confia na qualidade dos seus produtos e oferece aos clientes uma garantia de 24 meses a partir da data de compra. Esta garantia é um complemento dos seus direitos estabelecidos por lei, não os prejudicando de forma alguma. A garantia é válida nos Estados-membros da União Europeia e nos países-membros da Zona Europeia de Comércio Livre.

Para accionar a garantia, esta deve estar em conformidade com os termos e condições da Black & Decker e terá de apresentar comprovativos de compra ao vendedor ou a um agente de reparação autorizado. Os termos e condições da garantia de 2 anos da Black&Decker e a localização do agente de reparação autorizado mais próximo podem ser obtidos na Internet em www.2helpU.com ou contactando uma filial da Black & Decker, cuja morada está indicada neste manual.

Visite o nosso Website www.blackanddecker.co.uk para registar o novo produto Black & Decker e manter-se atualizado relativamente a novos produtos e ofertas especiais.

Avsedd användning

Denna pendelsåg BDCR18 från BLACK+DECKER är avsedd för sågning av trä, plast och tunn plåt. Verkytet är endast avsett som konsumentverkyt.

Säkerhetsinstruktioner

Allmänna säkerhetsanvisningar för elverkyt



Varning! Läs alla säkerhetsvarningar och instruktioner. Fel som uppstår till följd av att varningarna och instruktionerna som listas nedan inte följts kan orsaka elstötar, brand och/eller allvarliga kroppsskador.

Spara alla säkerhetsföreskrifter och anvisningar för framtida bruk. Begreppet "Elverkyt" i alla varningar som listas nedan avser nätdrivna elverkyt (med nätsladd) och batteridrivna elverkyt (sladdlösa).

1. Säkerhet på arbetsplatsen

- Se till att arbetsplatsen är obelamrad och välbelyst.** Belamrade och mörka områden inbjuder till olyckor.
- Använd inte elverkytet i explosionsfarlig omgivning, t.ex. i närheten av brännbara vätskor, gaser eller damm.** Elverkyt skapar gnistor som kan antända damm eller ångor.
- Håll barn och andra personer på avstånd när ett elverkyt används.** Distractioner kan göra att du förlorar kontrollen.

2. Elsäkerhet

- Elverkytets stickkontakt måste passa i eluttaget. Modifiera aldrig kontakten på något sätt. Använd inga adapterkontakter tillsammans med jordade elverkyt.** Locke modifierade kontakter och passande uttag minskar risken för elektrisk stöt.
- Undvik kroppskontakt med jordade ytor såsom rör, radiatorer, spis och kylskåp.** Det finns en ökad risk för elektrisk stöt om din kropp är jordansluten eller jordad.
- Skydda elverkytet mot regn och väta.** Vatten som kommer in i ett elverkyt ökar risken för elektrisk stöt.
- Hantera nätsladden varsamt. Använd inte sladden för att bära eller dra apparaten eller för att dra ut kontakten ur vägguttaget. Håll sladden borta från värme, olja, skarpa kanter eller rörliga delar.** Skadade eller tilltrasslade sladdar ökar risken för elektrisk stöt.
- Använd endast förlängningssladdar som är godkända för utomhusbruk när du arbetar med elverkyt utomhus.** Användning av en sladd som är lämplig för utomhusbruk minskar risken för elektriska stötar.
- Om du måste använda ett elverkyt på en fuktig plats ska du använda jordfelsbrytare.** Användning av en jordfelsbrytare minskar risken för elektrisk stöt.

3. Personlig säkerhet

- a. **Var uppmärksam, se på vad du gör och använd elverktaget med förnuft.** Använd inte ett elverktyg när du är trött eller påverkad av droger, alkohol eller mediciner.

Ett ögonblicks ouppmärksamhet när du arbetar med elektriska verktyg kan leda till allvarliga personsador.

- b. **Använd personlig skyddsutrustning. Använd alltid skyddsglasögon.** Skyddsutrustning såsom dammfilterskydd, halksäkra säkerhetsskor, skyddshjälm eller hörselskydd som används för lämpliga förhållanden minskar personsador.
- c. **Förhindra oavsiktlig start. Kontrollera att strömbrytaren står i avstängt läge innan du ansluter verktyget till elnätet eller sätter i batteriet, samt innan du tar upp eller bär verktyget.** Att bära elektriska verktyg med fingret på strömbrytaren eller att koppla strömmen till elektriska verktyg när strömbrytaren är på leder till olyckor.
- d. **Ta bort alla inställningsnycklar innan elverktaget slås på.** Ett verktyg eller en nyckel som har lämnats kvar på en roterande del av det elektriska verktyget kan orsaka kroppssador.
- e. **Sträck dig inte för långt. Ha ordentligt fotfäste och balans hela tiden.** Detta möjliggör bättre kontroll av elverktaget i oväntade situationer.
- f. **Bär lämpliga kläder. Bär inte lösa kläder eller smycken. Håll hår, beklädnad och handskar borta från delar i rörelse.** Lösa kläder, smycken eller långt hår kan fastna i rörliga delar.
- g. **Om elverktaget har dammuppsugnings- och uppsamlingsutrustning kontrollerar du att den är monterad och används på korrekt sätt.** Användning av dammuppsamling kan minska dammrelaterade risker.
- h. **Låt inte förtrogenheten som uppstått genom regelbunden användning av verktyg låta dig bli självsäker och ignorera verktygets säkerhetsprinciper.** En oförsiktig handling kan orsaka allvarliga sador under bråkdelen av en sekund.

4. Användning och skötsel av elverktyg

- a. **Överbelasta inte elverktaget. Använd rätt elverktyg för ditt arbete.** Det korrekta elverktaget gör arbetet bättre och säkrare vid den hastighet för vilket det konstruerades.
- b. **Använd inte elverktaget om det inte kan startas och stängas av med strömbrytaren.** Ett elverktyg som inte kan kontrolleras med strömbrytaren är farligt och måste repareras.
- c. **Dra stickproppen ur vägguttaget och/eller ta ut batteriet ur elverktaget innan inställningar görs, tillbehör delar byts ut eller elverktaget ställs undan.** Sådana förebyggande säkerhetsåtgärder minskar risken att oavsiktligt starta elverktaget.

- d. **Förvara elverktyg utom räckhåll för barn och låt inte personer som inte är vana vid elverktaget eller som inte läst denna bruksanvisning använda det.** Elverktyg är farliga i händerna på ovana användare.
- e. **Underhålla elverktyg.** **Kontrollera att rörliga komponenter fungerar felfritt och inte kärvar, att komponenter inte gått sönder eller skadats och inget annat föreligger som kan påverka elverktgets funktion.** Om det är skadat, se till att elverktaget blir reparerat före användning. Många olyckor orsakas av dåligt underhållna elektriska verktyg.
- f. **Håll kapverktyg skarpa och rena.** Korrekt underhållna kapverktyg med vassa skär är mindre troliga att de fastnar och är lättare att kontrollera.
- g. **Använd elverktyg, tillbehör, bits m.m. enligt dessa anvisningar och beakta arbetsvillkoren och det arbete som ska utföras.** Användning av elverktaget för andra uppgifter än vad som avsetts kan resultera i farliga situationer.
- h. **Håll handtagen och greppytorna torra, rena och fria från olja och fett.** Hala handtag och greppytor förhindrar säker hantering och kontroll av verktyget i oväntade situationer.

5. Användning och skötsel av batteridrivet verktyg

- a. **Ladda endast med den laddare som är specificerad av tillverkaren.** En laddare som passar en batterityp kan medföra brandrisk om den används ihop med ett annat batteri.
- b. **Använd endast de batteripaket som är speciellt avsedda för elverktaget.** Användning av andra batteripaket kan leda till personsador eller eldsvåda.
- c. **När batteriet inte används ska du hålla det åtskilt från metallföremål som gem, mynt, nycklar, spik, skruvar och andra små metallföremål som kan orsaka kortslutning mellan batteriets poler.** Kortslutning av batteripolerna kan leda till brännskador eller eldsvåda.
- d. **Under olämpliga förhållanden kan vätska spruta ut från batteriet. Undvik kontakt. Vid oavsiktlig kontakt, spola med vatten.** Om vätskan kommer i kontakt med ögonen, sök också läkarhjälp. Vätska som sprutar ur batteriet kan orsaka sveda och brännskador.
- e. **Använd inte batteripaket eller verktyg som är skadade eller modifierade.** Skadade eller modifierade batterier kan uppträda oväntat och det kan resultera i brand, explosion eller sador.
- f. **Utsätt inte batteripaket eller verktyg för brand eller höga temperaturer.** Exponering för brand eller temperaturer över 130 °C kan orsaka en explosion.
- g. **Följ laddningsinstruktionerna och ladda inte batteripaketet eller verktyget utanför det temperaturområde som specificeras i instruktionerna.** Felaktig laddning eller vid temperaturer utanför den

specificerade området kan skada batteriet och öka risken för brand.

6. Service

- a. **Låt en kvalificerad reparatör som bara använder originaldelar utföra service på elverktyget.** Detta säkerställer att elverktygets säkerhet bibehålls.
- b. **Gör aldrig service på skadade batteripaket.** Service på batteripaket skall endast utföras av tillverkaren eller auktoriserad servicepersonal.

Ytterligare säkerhetsanvisningar för elverktyg



Varning! Ytterligare säkerhetsanvisningar för handsågar

- ◆ **Håll verktyget i de isolerade greppytorna vid arbete där det skärande tillbehöret riskerar att komma i kontakt med dolda elledningar.** Om bladet går igenom en strömförande ledning kan verktygets metalldelar bli strömförande och ge dig en elektrisk stöt.
- ◆ **Håll verktyget i de isolerade greppytorna vid arbete där fästansordningen riskerar att komma i kontakt med dolda elledningar.** Om fästansordningar får kontakt med strömförande ledningar kan verktygets metalldelar bli strömförande och ge dig en elektrisk stöt.
- ◆ **Fäst arbetsstycket vid ett stabilt underlag med tvingar eller på något annat lämpligt sätt.** Om du håller fast arbetsstycket med handen eller trycker det mot kroppen blir det instabilt och du kan förlora kontrollen.
- ◆ **Håll händerna borta från arbetsområdet.** Sträck aldrig in händerna under arbetsstycket. Undvik att ha fingrarna i närheten av det pendlande sågbladet och bladklämman. Undvik att stabilisera sågen genom att hålla i sågskon.
- ◆ **Håll sågbladen välslipade.** Slöa eller skadade sågblad kan orsaka att sågen kommer i svängning eller stannar helt när den belastas. Använd alltid en typ av sågblad som är lämplig för det material du ska såga i och för hur du ska såga.
- ◆ **Vid sågning i rör och liknande ska du se till att de inte innehåller vatten, elledningar osv.**
- ◆ **Undvik att vidröra arbetsstycket eller sågbladet direkt efter sågning.** De kan bli mycket varma.
- ◆ **Var uppmärksam på dolda faror innan du sågar i väggar, golv eller tak; kontrollera om det finns rör eller elledningar.**
- ◆ **Sågbladet fortsätter att röra sig en kort stund efter att du har släppt strömbrytaren.** Stäng alltid av verktyget och vänta tills sågbladet har stannat helt innan du lägger det ifrån dig.

Varning! Vibrationsvärdet under faktisk användning av elverktyget kan skilja sig från det uppgivna värdet beroende på hur verktyget används. Vibrationsnivån kan överstiga den uppgivna nivån.

- ◆ Användningsområdet beskrivs i den här bruksanvisningen. Om andra tillbehör eller tillsatser används, eller om någon annan åtgärd än de som rekommenderas i den här bruksanvisningen utförs med verktyget, kan personer och/eller egendom skadas.

Ytterligare säkerhetsanvisningar för elverktyg



Varning! Extra säkerhetsföreskrifter för figursågar och pendelsågar

- ◆ **Håll elverktyget i de isolerade greppytorna när arbete utförs där kaptillbehöret kan komma i kontakt med dolda ledningar.** Kaptillbehör som kommer i kontakt med en strömförande ledning kan göra att exponerade metalldelar hos elverktyget blir strömförande och kan ge användaren en elektrisk stöt.
- ◆ **Använd klämmor eller andra praktiska sätt att fästa och stödja arbetsstycket på ett stabilt underlag.** Att hålla arbetet för hand eller mot kroppen är instabilt och kan göra att du förlorar kontrollen.
- ◆ **Håll händerna borta från arbetsområdet.** Sträck dig aldrig under arbetsstycket av något skäl. För inte in fingrarna eller tummar i närheten av det pendlande bladet och bladklämman. Undvik att stabilisera sågen genom att hålla i skon.
- ◆ **Håll blad vassa.** Slöa eller skadade klingor kan orsaka att sågen avviker eller stannar under tryck. Använd alltid lämplig typ av sågklinga för arbetsstyckets material och typ av sågning.
- ◆ **När rör eller rörledning kapas se till att de är inte innehåller vatten eller elektriska ledningar etc.**
- ◆ **Undvik att vidröra arbetsstycket eller sågklingan direkt efter att verktyget använts.** De kan bli mycket heta.
- ◆ **Var medveten om dolda risker, innan sågning sker in i väggar, golv eller tak ska du kontrollera var rör och ledningar finns.**
- ◆ **Sågbladet fortsätter att röra sig en kort stund efter att du har släppt strömbrytaren.** Stäng alltid av verktyget och vänta tills sågbladet har stannat helt innan du lägger ifrån dig det.

Varning! Kontakt med eller inandning av damm som uppstår vid sågningen kan utgöra en hälsorisk för operatören och eventuella åskådare. Använd en specialkonstruerad ansiktsmask som skyddar mot damm och ångor och se till att personer som vistas inom eller i närheten av arbetsområdet också är skyddade.

- ◆ Avsedd användning beskrivs i denna bruksanvisning.
- ◆ Om andra tillbehör eller tillsatser används, eller om någon annan åtgärd än de som rekommenderas i den här bruksanvisningen utförs med verktyget, kan personer och/eller egendom skadas.

Andras säkerhet

Låt aldrig barn, personer med reducerad sensorisk eller mental kapacitet eller utan erfarenhet eller kunskap eller personer som är obekant med dessa instruktioner använda maskinen, det kan finnas lokala bestämmelser om åldersgränser för användaren.

Återstående risker

Ytterligare risker som inte finns med i de bifogade säkerhetsanvisningarna kan uppstå när verktyget används. Dessa risker kan uppstå vid felaktig eller långvarig användning, etc. Även om alla relevanta säkerhetsanvisningar följs och säkerhetsanordningar används kan vissa ytterligare risker inte undvikas. Dessa omfattar:

- ◆ Skador orsakade av att roterande/rörliga delar vidrörs.
- ◆ Skador som uppstår vid byte av delar, blad eller tillbehör.
- ◆ Skador som orsakas av långvarig användning av ett verktyg. Se till att regelbundet ta vilopausar när du använder ett verktyg under en längre period.
- ◆ Hörselnedsättning.
- ◆ Hälsorisker orsakade av inandning av damm när redskapet används (exempel: arbete med trä, särskilt ek, bok och MDF)

Vibrationer

De vibrationsvärden som anges i avsnitten Tekniska data och deklarationen om överensstämmelse har uppmätts i enlighet med en standardtestmetod föreskriven i EN60745 och kan användas för jämförelse med andra verktyg. Det angivna vibrationsvärdet kan även användas för en preliminär bedömning av exponeringen.

Varning! Vibrationsvärdet under faktisk användning av elverktyget kan skilja sig från det uppgivna värdet beroende på hur verktyget används. Vibrationsnivån kan överstiga den uppgivna nivån.

Vid uppskattningar av exponering för vibrationer i syfte att bedöma vilka säkerhetsåtgärder som är nödvändiga enligt 2002/44/EG för att skydda personer som regelbundet använder elverktyg i arbetet ska man utgå från de faktiska omständigheter under vilka elverktyget används och sättet på vilket det används. Bedömningen ska även ta hänsyn till alla moment i arbetscykeln, t.ex. när verktyget är avstängt och när det går på tomgång såväl som när det faktiskt används.

Märkningar på verktyget

Följande varningssymboler finns på verktyget, tillsammans med datumkoden:



Varning! Läs bruksanvisningen före användning för att minska risken för olyckor.

Ytterligare säkerhetsinstruktioner för batterier och laddare (där levereras)

Batterier

- ◆ Försök aldrig att öppna batterierna.
- ◆ Utsätt inte batteriet för vatten.
- ◆ Förvara inte på platser där temperaturen kan bli högre än 40 °C.
- ◆ Ladda endast vid temperaturer mellan 10 °C och 40 °C.
- ◆ Ladda endast med hjälp av laddare som medföljer verktyget.
- ◆ Följ instruktionerna som anges i avsnittet "Miljö" när du kastar batterierna.



Försök inte ladda skadade batterier.

Laddare

- ◆ Laddaren från BLACK+DECKER får bara användas för att ladda batteriet i det verktyg som laddaren levererades med. Andra batterier kan spricka och orsaka personskador och andra skador.
- ◆ Försök aldrig ladda batterier som inte är uppladdningsbara.
- ◆ Byt defekta sladdar omgående.
- ◆ Utsätt inte laddaren för vatten.
- ◆ Öppna inte laddaren.
- ◆ Gör ingen åverkan på laddaren.



Laddaren är endast avsedd för användning inomhus.



Läs den här bruksanvisningen före användning.

Elsäkerhet



Eftersom laddaren är dubbelisolerad behövs ingen jordledare. Kontrollera alltid att nätspänningen överensstämmer med värdet på typskylten. Försök aldrig byta ut kontakten till laddaren mot en vanlig kontakt.

- ◆ Om nätsladden är skadad måste den bytas ut av tillverkaren eller en auktoriserad BLACK+DECKER-verkstad för att undvika fara.

Funktioner

Det här verktyget har några eller samtliga av följande funktioner:

1. Strömbrytare
2. Låsknapp
3. Sågsko
4. Frikopplingsspak för sågbladet
5. Sågblad
6. Batteri (där levereras)

7. Låsknapp för batteri
8. Huvudhandtag
9. Extrahandtag, griphandtag

Figur D (där levereras)

10. Laddare

Montering

Varning! Ta bort batteriet från verktyget och se till att sågbladet har stannat innan montering påbörjas. Ett sågblad som nyligen använts kan vara hett.

Montera sågbladet (fig. A)

- ◆ Håll verktyget borta från kroppen.
- ◆ Öppna sågbladets frikopplingspak (4) till helt öppet läge.
- ◆ Sätt i sågbladets skaft framifrån.
- ◆ Stäng sågbladets frikopplingspak (4). Kontrollera att bladet (5) sitter fast ordentligt.

Obs! Bladet kan installeras med tänderna uppåt för att underlätta slätsågning (fig. G).

Ta bort sågbladet

Varning! Vidrör inte bladet direkt efter att du har använt det. Ett sågblad som nyligen använts kan vara hett.

- ◆ Öppna sågbladets frikopplingspak (4) till helt öppet läge.
- ◆ Ta bort sågbladet.

Låsknapp

På verktyget sitter ett låsreglage som används för att förhindra att verktyget startas oavsiktligt.

- ◆ Starta verktyget genom att trycka på låsknappen (2) och sedan på strömbrytaren (1).
- ◆ Stoppa verktyget genom att släppa strömbrytaren (1).

Montera och ta bort batteriet (fig. B & C)

- ◆ Sätt i batteriet (6) genom att placera det i linje med kontakten på verktyget. Skjut in batteriet i facket och tryck till batteriet snäpper på plats (fig. B).
- ◆ Ta ur batteriet (6) genom att trycka på dess lösgöringsknapp (7) samtidigt som du drar bort batteriet från dess plats på verktyget (fig. C).

Användning

Varning! Låt verktyget arbeta i sin egen takt. Överbelasta det inte.

Ladda batteriet (fig. D)

Batteriet måste laddas innan det används för första gången samt varje gång det inte ger tillräckligt hög effekt för arbeten som tidigare klarades av. Batteriet kan bli varmt när det laddas. Det är normalt och innebär inte att något är fel.

Varning! Ladda inte batteriet om temperaturen i luften är lägre än 10 °C eller högre än 40 °C. Rekommenderad

laddningstemperatur: cirka 24 °C.

Obs! Laddaren laddar inte batteriet om celltemperaturen är lägre än ca 10 °C eller högre än 40 °C. Låt batteriet sitta kvar i laddaren. Laddaren sätter automatiskt igång att ladda batteriet när celltemperaturen har stigit eller sjunkit.

- ◆ Vid laddning av batteriet (6) sätter du det i laddaren (10). Batteriet kan bara placeras i laddaren på ett sätt. Använd inte våld. Se till att batteriet sitter ordentligt i laddaren.
- ◆ Anslut laddaren till vägguttaget.

Den gröna laddningsindikatorn börjar blinka.

Laddningen är klar när den gröna laddningsindikatorn börjar lysa med ett fast sken. Laddaren och batteriet kan lämnas anslutna hur länge som helst. Den gröna laddningsindikatorn kommer att blinka ibland när laddaren fyller på batteriets laddning.

- ◆ Urladdade batterier bör laddas inom en vecka. Om batterierna inte laddas när de är urladdade försämrar batteritiden avsevärt.

Lämna batteriet i laddaren

Batteriet kan sitta kvar i laddaren och laddaren kan vara ansluten till vägguttaget hur länge som helst med den gröna indikatorn tänd. Laddaren ser till att batteriet hålls fräscht och fulladdat.

Slå på och av

- ◆ Starta verktyget genom att trycka på låsknappen (2) och sedan på strömbrytaren (1).
- ◆ Stäng av verktyget genom att släppa strömbrytaren (1).

Sågning (fig. E)

- ◆ Håll alltid i verktyget med båda händerna (fig. E).
- ◆ Låt sågbladet (5) gå i några sekunder innan du börjar såga.
- ◆ Tryck bara försiktigt på sågen medan du sågar.
- ◆ Om det är möjligt bör du hålla sågskon (3) tryckt mot arbetsstycket när du arbetar. På så sätt får du bättre kontroll över verktyget. Dessutom minskar vibrationerna från verktyget och bladet skyddas.

Tips för optimal användning

Sågning i trä (fig. F)

- ◆ Spänn fast arbetsstycket ordentligt och ta bort spikar och metallföremål.
- ◆ Håll verktyget med båda händerna och håll sågskon (3) tryckt mot arbetsstycket.

Slätsågning (fig. G)

Tack vare den kompakta utformningen av pendelsågens motorhus och den vinklinsbara sågskon (3) kan man såga mycket nära golv, hörn och andra svåra områden.

För optimal slätsågning:

- ◆ Sätt bladskaffet i bladklämman med tänderna uppåt.
- ◆ Justera handtagets vinkel så att du kommer så nära arbetsytan som möjligt.

Sågning i metall (fig. H)

- ◆ Välj ett sågblad som lämpar sig för metallsågning. Använd ett fintandat sågblad för järnhaltiga metaller och ett grövre sågblad för icke-järnhaltiga metaller.
- ◆ Vid sågning av tunn metallplåt tvingar du fast en överbliven träbit på arbetsmaterialets undersida och sågar genom båda lagren som en smörgås.
- ◆ Smörj såglinjen med olja innan du sågar.

Instickssågning i trä (fig. I)

- ◆ Mät upp och markera det område som ska sågas.
- ◆ Välj ett sågblad som lämpar sig för instickssågning.
- ◆ Håll sågskon (3) mot arbetsstycket i ett läge där bladet står i en lämplig vinkel för sågningen.
- ◆ Starta verktyget och för långsamt in bladet i arbetsstycket. Se till så att sågskon (3) hela tiden är i kontakt med arbetsstycket.

Sågning av grenar

Med det här verktyget kan du såga av trädgrenar på upp till 25 mm i diameter.

Varning! Använd inte verktyget när du är uppe i ett träd eller står på en stege eller någon annan instabil yta. Ta hänsyn till vilken riktning grenen kommer att falla i.

- ◆ Såga nedåt och bort från dig.
- ◆ Såga nära huvudgrenen eller stammen.

Lodrät sågning

Med det här verktyget kan du såga tätt intill hörn och andra svåra områden.

- ◆ För in sågbladets skaft med sågtänderna uppåt i bladhållaren.
- ◆ Håll verktyget med sågskon (3) nedåt så att du kommer så nära arbetsytan som möjligt.
- ◆ Såga framåt och bort från dig själv.

Tillbehör

Verktygets prestanda beror på vilka tillbehör du använder. Tillbehör från BLACK+DECKER håller hög kvalitet och är konstruerade för att fungera optimalt med verktyget. Med dessa tillbehör får du ut mesta möjliga av verktyget.

Sågblad

Upp till 30 cm långa blad kan användas till sågen. Bladet ska vara så kort som möjligt för uppgiften, men samtidigt tillräckligt långt för att såga igenom materialet. Längre sågblad böjs eller skadas lättare vid användning. Vissa längre blad kan vibrera

eller skaka om sågen inte är i kontakt med arbetsstycket när den är i gång.

Underhåll

Detta BLACK+DECKER-verktyg har konstruerats för att fungera under lång tid med ett minimum av underhåll. Med rätt underhåll och regelbunden rengöring behåller verktyget sina prestanda.

Laddaren behöver inget annat underhåll än regelbunden rengöring.

Varning! Ta ut batteriet ur verktyget innan du utför något underhåll på verktyget. Dra ur sladden till laddaren innan du rengör den.

- ◆ Rengör regelbundet verktygets luftintag och laddaren med en mjuk borste eller torr trasa.
- ◆ Rengör kåpan regelbundet med en fuktig trasa. Använd aldrig rengöringsmedel med lösnings- eller slipmedel.
- ◆ Öppna chucken med jämna mellanrum och knacka på den för att avlägsna damm som sitter på insidan.

Skydda miljön



Separat insamling. Produkter och batterier som är markerade med denna symbol får inte kastas i de vanliga hushållssoporna

Produkter och batterier innehåller material som kan återanvändas eller återvinnas för att minska behovet av råmaterial. Återvinn elektriska produkter och batterier enligt lokala bestämmelser. Närmare information finns tillgänglig på www.2helpU.com

Tekniska data

		BDCR18 (H1)
Inspänning	V_{DC}	18
Tomgångshastighet	Min^{-1}	0-3000
Slaglängd	mm	22
Vikt	kg	1.5

Laddare		905902**/ N4940**	905998**/ 906349**
Inspänning	V_{AC}	100-240	220-240
Utspänning	V_{DC}	8-20	8-20
Ström	mA	400	1000
Ungefärlig laddningstid	Timmar	3-11	1.5-5

Batteri (där levereras)		BL2018*	BL1518*	BL2518*	BL4018
Voltage	V_{DC}	18	18	18	18
Capacity	Ah	2.0	1.5	2.5	4.0
Typ		Li-Ion	Li-Ion	Li-Ion	Li-Ion

Ljudnivå enligt EN 60745:
Ljudnivå (L_{pA}) 79.5 dB(A), osäkerhet (K) 3 dB(A)
Ljudeffekt (L_{WA}) 90.5 dB(A), osäkerhet (K) 3 dB(A)
Totala vibrationsvärden (vektorsumman av tre axlar) enligt EN 60745:
Skivsågning ($a_{n,B}$) 17.9 m/s ² , osäkerhet (K) 1.5 m/s ²
Träbjälklagssågning ($a_{n,WB}$) 19.7 m/s ² , osäkerhet (K) 1.5 m/s ²

EG-försäkran om överensstämmelse

MASKINDIREKTIVET



BDCR18 – Pendelsåg

Black & Decker garanterar att produkterna som beskrivs under

Tekniska data uppfyller:

EN60745-1:2009+A11:2010, EN60745-2-11:2010

De här produkterna överensstämmer även med direktiven
2006/42/EG, 2014/30/EU och 2011/65/EU.

Mer information får du genom att kontakta Black & Decker på
följande adress eller titta i slutet av bruksanvisningen.

Undertecknad är ansvarig för sammanställningen av tekniska
data och gör denna försäkran för Black & Decker.

Ray Laverick
Director of Engineering
Black & Decker Europe, 210 Bath Road, Slough,
Berkshire, SL1 3YD
Storbritannien
26/10/2018

Garanti

Black & Decker är säker på kvaliteten hos denna produkt och erbjuder kunder 24 månaders garanti från datumet för inköpet. Garantin gäller utöver konsumentens rättigheter enligt lag och påverkar inte dessa. Garantin är giltig i de områden som tillhör medlemsstaterna i Europeiska unionen och det europeiska frihandelsområdet.

För yrkande under garantin måste yrkandet vara i enlighet med Black & Deckers villkor och du kommer att behöva skicka in bevis på köpet till försäljaren eller en auktoriserad reparatör. Villkoren för Black&Deckers tvååriga garanti och var du hittar din närmaste auktoriserade reparatör kan erhållas på internet på www.2helpU.com, eller genom att kontakta ditt lokala Black & Decker kontor på adressen som angetts i denna bruksanvisning.

Besök vår webbplats www.blackanddecker.se för att registrera din nya Black & Decker-produkt samt för att få information om nya produkter och specialerbjudanden.

(Översettelse av de opprinnelige instruksjonene)

NORSK

Intended use

Denne bajonettsagen av typen BDCR18 fra BLACK+DECKER er designet for saging av treverk, plast og metallplater. Dette verktøyet er bare tiltenkt bruk som et forbrukerverktøy.

Sikkerhetsinstruksjoner**Generelle sikkerhetsadvarsler for elektroverktøy**

Advarsel! Les alle sikkerhetsadvarsler og alle instruksjoner. Hvis advarslene og anvisningene nedenfor ikke overholdes, kan det medføre elektrisk støt, brann og/eller alvorlige personskader.

Ta vare på alle advarsler og instruksjoner for fremtidig bruk. Uttrykket "elektroverktøy" i alle advarslene nedenfor gjelder for strømdrevne elektroverktøy (med ledning) og batteridrevne elektroverktøy (uten ledning).

- Sikkerhet i arbeidsområdet**
 - Hold arbeidsområdet rent og godt opplyst.** Rotete eller mørke områder er en invitasjon til ulykker.
 - Ikke arbeid med elektroverktøy i eksplosjonsfarlige omgivelser, for eksempel der det befinner seg brennbare væsker, gass eller støv.** Elektrisk verktøy skaper gnister som kan antenne støv eller gasser.
 - Hold barn og andre personer unna når du bruker et elektroverktøy.** Distraksjoner kan føre til at du mister kontrollen.
- Elektrisk sikkerhet**
 - Støpset til elektroverktøy må passe til stikkontakten. Aldri modifier støpset på noen måte. Ikke bruk adapterstøpsler til jordede elektriske verktøy.** Umodifiserte støpsler og stikkontakter som passer vil redusere risikoen for elektrisk sjokk.

- b. **Unngå kroppskontakt med jordede overflater som rør, radiatorer, komfyrer og kjøleskap.** Det er økt risiko for elektrisk støt dersom kroppen din er jordet.
- c. **Ikke utsett elektroverktøy for regn eller fuktighet.** Dersom det kommer vann inn i et elektrisk verktøy vil det øke risikoen for elektrisk sjokk.
- d. **Unngå uforsvarlig behandling av ledningen. Bruk aldri ledningen til å bære eller trekke apparatet eller til å trekke ut støpselet. Hold ledningen borte fra varme, olje, skarpe kanter eller bevegelige deler.** Skadede eller innviklede ledninger øker risikoen for elektrisk sjokk.
- e. **Når du bruker et elektroverktøy utendørs, må du bruke en skjøteledning som er egnet til utendørs bruk.** Bruk av en skjøteledning beregnet for utendørs bruk reduserer risikoen for elektrisk støt.
- f. **Hvis du ikke kan unngå å bruke elektroverktøy på et fuktig sted, må du bruke en strømforsyning som er beskyttet med jordfeilbryter (RCD).** Bruk av jordfeilbryter (RCD) reduserer risikoen for elektrisk støt.
3. **Personsikkerhet**
- a. **Vær oppmerksom, pass på hva du gjør, og vis fornuft når du arbeider med et elektroverktøy. Ikke bruk et elektrisk verktøy dersom du er trøtt eller er påvirket av medikamenter, narkotika eller alkohol.** Ett øyeblikks uoppmerksomhet under bruk av elektriske verktøy kan føre til alvorlig personskade.
- b. **Bruk personlig verneutstyr. Bruk alltid vernebriller.** Verneutstyr slik som støvmaske, skliskire vernesko, hjelm, eller hørselsvern brukt under passende forhold vil redusere personskader.
- c. **Forhindre utilsiktet start. Kontroller at bryteren står i posisjon "av" før du kobler til strømkilden og/eller batteripakken, og før du tar opp eller bærer verktøyet.** Å bære elektriske verktøy med fingeren på bryteren eller å sette inn støpselet mens elektriske verktøy har bryteren på øker faren for ulykker.
- d. **Fjern eventuelt innstillingsverktøy eller skruverktøy før du slår på elektroverktøyet.** Et skruverktøy eller en nøkkel som fortsatt er festet til en roterende del av elektroverktøyet, kan føre til personskade.
- e. **Ikke strekk deg for langt. Ha godt fotfeste og stå støtt hele tiden.** Dette fører til at du har bedre kontroll over det elektriske verktøyet ved uventede situasjoner.
- f. **Bruk egnede klær. Ikke ha på deg løstsittende klær eller smykker. Hold hår, antrekk og hanser borte fra bevegelige deler.** Løstsittende klær, smykker og langt hår kan bli fanget opp av bevegelige deler.
- g. **Hvis det kan monteres støvavsug- og oppsamlingsinnretninger, må du forvise deg om at disse er tilkoblet og brukes på riktig måte.** Bruk av støvoppsamlere kan redusere støvrelaterede farer.
- h. **Ikke la erfaring med hyppig bruk av verktøy la deg bli likegyldig og ignorere verktøyets sikkerhetsregler.** En uforsiktig handling kan føre til alvorlig personskade på brøkdelen av et sekund.
4. **Bruk og behandling av elektroverktøy**
- a. **Ikke bruk makt på elektroverktøyet. Bruk det elektriske verktøyet som situasjonen krever.** Det riktige elektriske verktøyet vil gjøre jobben bedre og tryggere ved den hastigheten det ble konstruert for.
- b. **Ikke bruk elektroverktøyet hvis du ikke kan slå det på og av med bryteren.** Ethvert elektrisk verktøy som ikke kan kontrolleres med bryteren er farlig og må repareres.
- c. **Trekk støpselet ut av stikkkontakten og/eller koble fra batteripakken på elektroverktøyet før du utfører innstillinger, bytter tilbehør eller legger elektroverktøyet bort.** Slike preventive sikkerhetsforanstaltninger reduserer risikoen for å starte det elektriske verktøyet ved et uhell.
- d. **Elektroverktøy som ikke er i bruk, må oppbevares utilgjengelig for barn. Ikke la verktøyet bli brukt av personer som ikke er fortrolige med det, eller som ikke kjenner disse instruksjonene.** Elektriske verktøy er farlige i hendene på utrenede brukere.
- e. **Sørg for vedlikehold av elektroverktøy. Undersøk om bevegelige deler er feiljustert eller blokkert, om deler er skadet, og om det er andre forhold som kan påvirke elektroverktøyets funksjon. Dersom det er skadet, få verktøyet reparert før neste bruk.** Mange ulykker forårsakes av dårlig vedlikeholdte verktøy.
- f. **Hold skjæreverktøy skarpe og rene.** Godt vedlikeholdte skjæreverktøy med skarpe skjærekanten setter seg mindre sannsynlig fast og er lettere å kontrollere.
- g. **Bruk elektroverktøy, tilbehør, bor osv. i henhold til disse instruksjonene. Ta hensyn til arbeidsforholdene og arbeidet som skal utføres.** Bruk av det elektriske verktøyet for oppgaver som er forskjellige fra de som er tiltenkt kan føre til en farlig situasjon.
- h. **Hold håndtakene og gripeflatene tørre, rene og frie for olje og fett.** Glatte håndtak og gripeflater forhindrer trygg håndtering og kontroll av verktøyet i uventede situasjoner.
5. **Bruk og stell av batteriverktøy**
- a. **Ladningen skal bare skje med den laderen som produsenten har spesifisert.** En lader som passer for en type batteripakke kan føre til risiko for brann dersom den brukes på en annen batteripakke.
- b. **Bruk elektroverktøy bare sammen med spesifikt angitte batteripakker.** Bruk av andre batteripakker kan føre til risiko for personskade og brann.
- c. **Når batteripakken ikke er i bruk, må du oppbevare den atskilt fra andre metallgjenstander som binders,**

- mynter, nøkler, spiker, skruer eller andre små metallgjenstander som kan opprette en forbindelse fra en terminal til en annen. Kortslutning av batteripolene mot hverandre kan føre til brannskader eller brann.
- d. Ved feilaktig bruk kan det komme væske ut av batteriet, unngå kontakt med den. Dersom du kommer i kontakt med den, skylld med vann. Dersom du får væsken i øynene, søk legehjelp. Væske som kommer ut av batteriet kan føre til irritasjon eller brannskader.
- e. Batteripakke eller verktøy som er skadet eller modifisert skal ikke brukes. Batterier som er skadet eller modifisert kan ha uventet oppførsel og føre til brann, eksplosjon eller personskader.
- f. Batteripakken skal ikke utsettes for brann eller for høy temperatur. Eksposering for brann eller temperaturer over 130 °C kan føre til eksplosjon.
- g. Følg alle ladeinstruksjoner og ikke lade batteripakken eller verktøyet utenfor temperaturområdet som angitt i bruksanvisningen. Feil lading eller ved temperaturer utenfor det angitt området kan skade batteriet og øke faren for brann.

6. Service

- a. Elektroverktøy skal repareres av kvalifisert personell og bare med originale reservedeler. Dette vil sikre at verktøyet sikkerhet blir ivarettatt.
- b. Skadede batteripakker skal aldri repareres. Service på batteripakker skal kun utføres av produsenten eller autoriserte serviceverksteder.

Ytterligere sikkerhetsadvarsler for elektroverktøy



Advarsel!! Ytterligere sikkerhetsadvarsler for håndholdte sager

- ◆ Hold elektroverktøyet i de isolerte håndtakene når du utfører et arbeid der skjæretilbehøret kan komme i kontakt med skjulte ledninger. Hvis skjæretilbehøret kommer i kontakt med en strømførende ledning, kan eksponerte metalldele på verktøyet bli strømførende, noe som kan føre til at brukeren får elektrisk støt.
- ◆ Hold elektroverktøyet i de isolerte grepene når du utfører arbeid der festeordningen kan komme i kontakt med skjulte ledninger. Hvis festeordninger kommer i kontakt med en strømførende ledning, kan frittliggende metalldele på verktøyet bli strømførende, og brukeren kan få elektrisk støt.
- ◆ Bruk klemmer eller andre praktiske metoder for å spenne fast og støtte arbeidsstykket på en stabil plattform. Hvis arbeidsstykket holdes med hånden eller inn mot kroppen, vil det være ustabil, noe som lett kan føre til at du mister kontrollen.
- ◆ Hold hendene borte fra skjærområdet. Du må aldri av noen som helst grunn holde under arbeidsstykket. Du må

ikke føre fingrene eller tomlene inn i nærheten av bladfestet eller bladet som går frem og tilbake. Ikke stabiliser sagen ved å ta tak i foten.

- ◆ Hold bladene skarpe. Sløve eller skadde sagblader kan få sagen til å bøye av eller stanse under press. Bruk alltid sagblader som egner seg for arbeidsstykkets materiale og den type saging det er snakk om.
- ◆ Når du sager rør eller kanaler, må du kontrollere at de er fri for vann, elektriske ledninger osv.
- ◆ Ikke berør arbeidsstykket eller sagbladet straks etter at du har brukt verktøyet. De kan bli svært varme.
- ◆ Vær oppmerksom på skjulte farer før du sager i vegger, gulv eller tak. Lokaliser eventuelle kabler og rør.
- ◆ Sagbladet vil fortsatt være i bevegelse etter at bryteren slippes løs. Slå alltid verktøyet av, og vent til sagbladet stanser helt, før du setter verktøyet ned.

Advarsel! Vibrasjonsemisjonsverdien under faktisk bruk av elektroverktøyet kan avvike fra den oppgitte verdien avhengig av måten verktøyet blir brukt på. Vibrasjonsnivået kan øke over nivået som er oppgitt.

- ◆ Beregnet bruk er beskrevet i denne håndboken. Bruk av tilbehør eller utføring av oppgaver som ikke er anbefalt for verktøyet i denne håndboken, kan medføre fare for personskade og/eller skade på eiendom.

Ytterligere sikkerhetsadvarsler for elektroverktøy



Advarsel!! Ekstra sikkerhetsinstruksjoner for stikksager og pendelsag

- ◆ Hold i verktøyet på de isolerte overflatene når du utfører arbeid der verktøyet kan komme i kontakt med skjulte elektriske ledninger. Kapping av en strømførende ledning kan føre til at eksponerte metalldele på elektroverktøyet blir strømførende, og kan gi operatøren støt.
- ◆ Bruk klemmer eller en annen praktisk måte for å sikre og støtte arbeidsstykket til et stabilt underlag. Å holde arbeidsstykket i hendene eller mot kroppen er ustabil og kan føre til at du mister kontroll.
- ◆ Hold hendene borte fra skjærområdet. Du skal aldri gripe under arbeidsstykket av noen som helst årsak. Ikke før inn tommelen din eller andre fingrer inn i nærheten av det roterende bladet og bladklemmen. Ikke stabiliser sagen ved å ta tak i skoen.
- ◆ Hold bladene skarpe. Sløve eller ødelagte blader kan forårsake at sagen svinger ut eller staller under trykk. Du skal alltid bruke riktig type sagblad for arbeidsstykkematerialet og type kapping.
- ◆ Når du kapper rør eller ledninger, skal du forsikre deg om at de er fri for vann og elektrisk strøm etc.
- ◆ Ikke rør arbeidsstykket eller sagbladet straks etter å ha brukt verktøyet. De kan bli svært varme.

- ◆ **Vær oppmerksom på skjulte farer før du borer i vegger, gulv eller tak, kontrollerer du plasseringen av kabler og rør.**
- ◆ **Sagbladet vil fortsatt være i bevegelse etter at bryteren slippes løs.** Slå alltid verktøyet av og vent til sagbladet stanser helt, før du setter verktøyet ned.

Advarsel! Kontakt med eller inhalering av støv som oppstår ved skjæring, kan være helseskadelig for operatøren og eventuelle tilskuere. Bruk en støvmaske som er spesielt utformet for å beskytte mot støv og damp/gass, og pass på at personer som er i eller kommer inn i arbeidsområdet, også er beskyttet.

- ◆ Bruksområdet er beskrevet i denne bruksanvisning.
- ◆ Bruk av tilbehør eller utføring av oppgaver som ikke er anbefalt for verktøyet i denne håndboken, kan medføre fare for personskade og/eller skade på eiendom.

Andre personers sikkerhet

La aldri barn eller personer med reduserte fysiske, sensoriske eller mentale ferdigheter eller med manglende erfaring eller kunnskap, eller personer som ikke kjenner bruksanvisningen bruke denne maskinen. Lokale bestemmelser kan legge begrensninger på brukerens alder.

Restrisikoer

Når verktøyet brukes, kan det oppstå ytterligere risikoer som kanskje ikke er beskrevet i de medfølgende sikkerhetsadvarslerne. Disse risikoene kan bli forårsaket av feil bruk, langvarig bruk osv.

Selv om de relevante sikkerhetsbestemmelsene blir fulgt, og sikkerhetstiltakene blir gjennomført, kan visse gjenværende risikoer ikke unngås. Disse inkluderer:

- ◆ Personskader som forårsakes av berøring av en roterende/bevegelig del.
- ◆ Personskader som forårsakes av at en del, et blad eller tilbehør endres.
- ◆ Personskader som forårsakes av langvarig bruk av et verktøy. Når du bruker et verktøy i lange perioder, må du sørge for å ta regelmessige pauser.
- ◆ Hørselskader.
- ◆ Helsefarer som skyldes innånding av støv som dannes når du bruker verktøyet (for eksempel under arbeid med tre, spesielt eik, bøk og MDF.)

Vibrasjon

Vibrasjonsemissionsverdien som er angitt under tekniske data og samsvarserklæring, er blitt målt i henhold til en standard testmetode som er angitt i EN60745, og kan brukes til å sammenligne et verktøy med et annet. Den oppgitte vibrasjonsemissionsverdien kan også brukes til en foreløpig vurdering av eksponering.

Advarsel! Vibrasjonsemissionsverdien under faktisk bruk av elektroverktøyet kan avvike fra den oppgitte verdien avhengig

av måten verktøyet blir brukt på. Vibrasjonsnivået kan øke over nivået som er oppgitt.

Når det vurderes vibrasjonseksponering for å avgjøre hvilke sikkerhetstiltak som kreves ifølge 2002/44/EF, for å beskytte personer som bruker elektroverktøy regelmessig til arbeidsformål, skal det, når vibrasjonseksponeringen anslås, tas hensyn til de faktiske bruksforholdene og måten verktøyet blir brukt på. Dette inkluderer å ta hensyn til alle deler av brukssyklusen, for eksempel når verktøyet er avslått, når det går på tomgang og når utløseren er trykket inn.

Merking på verktøyet

Følgende advarselssymboler vises på verktøyet sammen med datokoden:



Advarsel! Brukeren må lese håndboken for å redusere risikoen for personskade.

Ytterligere sikkerhetsinstruksjoner for batterier og ladere (hvor medfølgende)

Batterier

- ◆ Ikke forsøk å åpne uansett hvilket formål du måtte ha.
- ◆ Ikke utsett batteriet for vann.
- ◆ Skal ikke oppbevares på steder der temperaturen kan overskride 40 °C.
- ◆ Lad bare ved temperaturer mellom 10°C og 40°C.
- ◆ Bruk bare laderen som følger med verktøyet.
- ◆ Følg instruksene som finnes i avsnittet "Miljø" når du skal kaste batterier.



Ikke forsøk å lade opp skadede batterier.

Ladere

- ◆ BLACK+DECKER-laderen skal bare brukes til å lade batteriet i apparatet som laderen kom sammen med. Andre batterier kan sprekke og føre til personskade og materiell skade.
- ◆ Prøv aldri å lade ikke-oppladbare batterier.
- ◆ Skift ut defekte ledninger umiddelbart.
- ◆ Ikke utsett laderen for vann.
- ◆ Ikke åpne laderen.
- ◆ Ikke stikk gjenstander eller fingre ned i laderen.



Laderen er bare beregnet for bruk innendørs.



Les denne håndboken før bruk.

Elektrisk sikkerhet



Denne laderen er dobbeltisolert. Jording er derfor ikke nødvendig. Kontroller alltid at nettspenningen er i overensstemmelse med spenningen på typeskiltet. Prøv aldri å skifte ut laderen med et vanlig nettstøpsel.

- ◆ Hvis strømledningen blir skadet, må den byttes av produsenten eller et autorisert BLACK+DECKER-service-senter for å unngå fare.

Funksjoner

Dette verktøyet har noen av eller alle følgende egenskaper.

1. På/av-bryter
2. Låseknapp
3. Fot
4. Utløerspak for sagbladfestet
5. Blad
6. Batteri (hvor medfølgende)
7. Batteriutløserknapp
8. Hovedhåndtak
9. Sekundært grep

Figur D (hvor medfølgende)

10. Lader

Montering

Advarsel! Før monteringen må du ta ut batteriet av verktøyet og forsikre deg om at sagbladet har stoppet. Brukte sagblad kan være varme.

Montere sagbladet (figur A)

- ◆ Hold verktøyet unna kroppen.
- ◆ Åpne bladklemmespaken (4) til denne er i helt åpen stilling.
- ◆ Før festetappen for sagbladet inn fra forsiden.
- ◆ Lukk utløerspaken for sagbladfestet (4). Kontroller at bladet (5) er sikkert festet.

Merk: Bladet kan monteres med tennene opp for å bidra til å sage i flukt (figur G).

Fjerne sagbladet

Advarsel! Ikke berør bladet rett etter bruk. Brukte sagblad kan være varme.

- ◆ Åpne bladklemmespaken (4) til denne er i helt åpen stilling.
- ◆ Fjern sagbladet.

Låseknapp

Verktøyet er utstyrt med en låsebryterfunksjon for å hindre utilsikket bruk.

- ◆ Når du skal slå verktøyet på, trykker du på låseknappen (2) og klemmer deretter på på/av-bryteren (1).

- ◆ Hvis du slipper opp på/av-knappen (1), slås verktøyet av.

Sette inn og ta ut batteriet (figur B og C)

- ◆ Når du skal sette inn batteriet (6), holder du det på linje med kontakten på verktøyet. Skyv batteriet inn i kontakten til det klikker på plass (figur B).
- ◆ Når du skal ta ut batteriet (6), trykker du på batteriutløserknappen (7) og trekker samtidig batteriet ut av kontakten på verktøyet (figur C).

Bruk

Advarsel! La verktøyet arbeide i sin egen hastighet. Det må ikke overbelastes.

Lade batteriet (figur D)

Batteriet må lades før første gang det brukes, og hver gang det ikke lenger gir nok strøm til oppgaver som tidligere ble utført uten problemer. Batteriet kan bli varmt under lading. Dette er normalt og innebærer ikke feil.

Advarsel! Ikke lad batteriet ved omgivelsestemperaturer under 10 °C eller over 40 °C. Anbefalt ladetemperatur: ca. 24 °C.

Merk: Laderen lader ikke batteripakker som har en celleteperatur på under ca. 10 °C eller over 40 °C. Batteripakken bør bli stående i laderen, og laderen begynner automatisk å lade når celleteperaturen blir høyere eller lavere.

- ◆ Når du skal lade batteriet (6), setter du det inn i laderen (10). Batteriet kan bare settes i laderen på én måte. Ikke bruk makt. Pass på at batteriet sitter helt inne i laderen.
- ◆ Sett i laderen, og slå på ved nettstrømmen.

Den grønne ladeindikatoren blinker.

Ladingen er fullført når den grønne ladeindikatoren lyser kontinuerlig. Laderen og batteriet kan las være tilkoblet så lenge du måtte ønske. Den grønne ladeindikatoren blinker når laderen av og til fyller på batteriladningen.

- ◆ Lad utladede batterier innen 1 uke. Batterienes levetid vil bli mye mindre hvis de oppbevares utladet.

La batteriet være i laderen

Du kan la laderen og batteripakken være tilkoblet og den grønne ladeindikatoren lyse så lenge du måtte ønske. Laderen holder batteripakken klar og fulladet.

Slå av og på

- ◆ Når du skal slå verktøyet på, trykker du på låseknappen (2) og klemmer deretter på på/av-bryteren (1).
- ◆ Slipp opp på/av-bryteren (1) for å slå verktøyet av.

Sage (figur E)

- ◆ Hold alltid verktøyet med begge hender (figur E).
- ◆ La bladet (5) gå fritt i noen få sekunder før du starter sagingen.

- ◆ Bruk bare lett trykk på verktøyet når du sager.
- ◆ Hvis det er mulig, arbeider du med sagfoten (3) presset mot arbeidsstykket. Dette bedrer kontrollen over verktøyet, reduserer vibrasjoner og forebygger skade på bladet.

Råd for optimal bruk

Sage i tre (figur F)

- ◆ Fest arbeidsstykket godt, og fjern alle spiker og metallgjenstander.
- ◆ Hold verktøyet med begge hender, og arbeid med sagfoten (3) presset mot arbeidsstykket.

Sage i flukt (figur G)

Den kompakte utformingen av motorhuset for sagen som går frem og tilbake, og foten som vipper (3), muliggjør saging nær gulv og hjørner samt i andre vanskelige områder.

Slik gjør du mulighetene for saging i flukt best mulig:

- ◆ Sett bladskafet inn i bladklemmen med tennene på bladet vendt oppover.
- ◆ Juster vinkelen på håndtaket på verktøyet, så du kommer så nær arbeidsflaten som mulig.

Sage i metall (figur H)

- ◆ Bruk et sagblad som egner seg for metallsaging. Bruk et fintannet sagblad for jernholdig metall og et grovere sagblad for ikke-jernholdige metaller.
- ◆ Når du skjærer tynne metallplater, kan du klemme et stykke kapp til den bakre flaten på arbeidsstykket og skjære gjennom dette.
- ◆ Smør en film av olje over hele den planlagte skjærelinjen.

Sage lommer i tre (figur I)

- ◆ Mål og merk den lommen du ønsker å sage.
- ◆ Monter et sagblad som er egnet til å sage lommer.
- ◆ La foten hvile på arbeidsstykket (3) i en stilling som gjør at bladet danner en vinkel som er egnet for å sage ut en lomme.
- ◆ Slå på verktøyet, og før bladet langsomt inn i arbeidsstykket. Pass på at foten (3) har kontakt med arbeidsstykket hele tiden.

Sage grener

Du kan sage grener med diameter opptil 25 mm med dette verktøyet.

Advarsel! Du må ikke bruke verktøyet når du er oppe i et tre, på en stige eller på noen annen ustabil overflate. Vær oppmerksom på hvor grenen vil falle.

- ◆ Sag nedover og bort fra kroppen.
- ◆ Sag nær hovedgrenen eller stammen til treet.

Sage vertikalt

Med dette verktøyet kan du sage nær hjørner og andre vanskelige områder.

- ◆ Sett skafet på sagbladet inn i bladholderen med tennene på bladet vendt oppover.
- ◆ Hold verktøyet med foten (3) vendt nedover så du kommer så nær arbeidsflaten som mulig.
- ◆ Sag fremover og bort fra kroppen.

Tilbehør

Verktøyets ytelse avhenger av hva slags tilbehør som brukes. Tilbehør fra BLACK+DECKER er produsert etter høye kvalitetsstandarder og er konstruert for å bedre verktøyets ytelse. Hvis du bruker dette tilbehøret, yter verktøyet best mulig.

Blad

Du kan bruke et blad som er opptil 30 cm langt på sagen. Bruk alltid det kortest mulige bladet for arbeidet du skal utføre, men et som er langt nok til å skjære gjennom materialet. Lengre blader har større sannsynlighet for å bli bøyd eller skadet under bruk. Under bruk kan enkelte lange blad vibrere eller riste hvis sagen ikke er i kontakt med arbeidsstykket.

Vedlikehold

BLACK+DECKER-verktøyet ditt er konstruert for å være i drift over lengre tid med et minimum av vedlikehold. Det er avhengig av riktig stell og regelmessig rengjøring for å fungere som det skal til enhver tid.

Laderen krever ikke annet vedlikehold enn regelmessig rengjøring.

Advarsel! Før du utfører vedlikehold på verktøyet, må du fjerne batteriet fra verktøyet. Koble laderen fra nettstrømmen før du rengjør den.

- ◆ Rengjør ventilasjonsåpningene i verktøyet og laderen jevnlig med en myk børste eller tørr klut.
- ◆ Rengjør motorhuset jevnlig med en fuktig klut. Ikke bruk slipende eller løsemiddelbaserte rengjøringsmidler.
- ◆ Åpne chucken regelmessig, og bank på den for å fjerne eventuelt støv fra innsiden.

Miljøvern



Separat avfallshåndtering. Produkter og batterier merket med dette symbolet skal ikke kastes i vanlig husholdningsavfall

Produkter og batterier inneholder materialer som kan gjenbrukes eller gjenvinnes for å redusere behovet for nye råmaterialer.

Vennligst lever elektrisk utstyr og batterier til gjenbruk i henhold til lokale regler. Mer informasjon finner du på www.2helpU.com

Tekniske data

BDCR18 (H1)		
Inngangsspenning	V_{DC}	18
Hastighet uten belastning	Min^{-1}	0-3000
Slaglengde	mm	22
Vekt	kg	1.5

Lader		905902**/ N4940**	905998**/ 906349**
Inngangsspenning	V_{AC}	100-240	220-240
Utgangsspenning	V_{DC}	8-20	8-20
Strøm	mA	400	1000
Omtrent ladetid	Timer	3-11	1.5-5

Batteri (hvor medfølgende)		BL2018*	BL1518*	BL2518*	BL4018
Voltage	V_{DC}	18	18	18	18
Capacity	Ah	2.0	1.5	2.5	4.0
Type		Li-Ion	Li-Ion	Li-Ion	Li-Ion

Lydtrykknivå målt i henhold til EN 60745:	
Lydtrykk (L_{pA})	79.5 dB(A), usikkerhet (K) 3 dB(A)
Lydeffekt (L_{WA})	90.5 dB(A), usikkerhet (K) 3 dB(A)

Totale vibrasjonsverdier (vektorsum fra tre retninger) i henhold til EN 60745:	
Saging av planker ($a_{h, B}$)	17.9 m/s^2 , usikkerhet (K) 1.5 m/s^2
Saging av trebjelker ($a_{h, WB}$)	19.7 m/s^2 , usikkerhet (K) 1.5 m/s^2

EU-samsvarserklæring

MASKINERIDIREKTIV



BDCR18 – Bajonettsgag

Black & Decker erklærer at disse produktene som er beskrevet under «Tekniske data», er i samsvar med: EN60745-1:2009+A11:2010, EN60745-2-11:2010

Disse produktene er også i samsvar med direktiv 2006/42/EF, 2014/30/EU og 2011/65/EU.

Hvis du ønsker mer informasjon, kan du kontakte Black & Decker på adressen nedenfor eller se baksiden av bruksanvisningen.

Undertegnede er ansvarlig for utarbeidelsen av den tekniske dokumentasjonen og gir denne erklæringen på vegne av Black & Decker.

Ray Laverick
Director of Engineering
Black & Decker Europe, 210 Bath Road, Slough,
Berkshire, SL1 3YD
Storbritannia
19/12/2017

Garanti

Black & Decker er trygg på kvaliteten av produktene sine og tilbyr en 24 måneders garanti fra kjøpsdato. Denne garantierklæringen kommer i tillegg til dine lovbestemte rettigheter og er ikke i konflikt med disse. Garantien er gyldig innen områdene tilhørende medlemslandene i den Europeiske Union (EU) og det Europeiske Frihandelsområdet (EFTA).

For å ta garantien i bruk må kravet være i samsvar med kjøpsbetingelsene fra Black&Decker og du må vise kjøpskvittering til forhandleren eller til et autorisert serviceverksted. Betingelsene for Black&Deckers 2 års garanti og adressen til din nærmeste autoriserte serviceverksted kan du finne på internett under www.2helpU.com, eller ved å kontakte ditt lokale Black & Decker kontor, adressen er angitt i denne bruksanvisningen.

Besøk våre nettsider på www.blackanddecker.no for å registrere ditt nye Black & Decker-produkt og for å få informasjon om nye produkter og spesialtilbud.

Tilsigtet brug

Din BDCR18 - bajonetsav fra BLACK+DECKER er designet til at save i træ, plastic og metal. Værktøjet er kun beregnet til privat brug.

Sikkerhedsinstruktioner

Generelle sikkerhedsadvarsler vedrørende elværktøj



Advarsel! Læs alle sikkerhedsadvarsler og alle instruktioner. Hvis nedenstående advarsler og instruktioner ikke følges, er der risiko for elektrisk stød, brand og alvorlige kvæstelser.

Gem alle advarsler og instruktioner til senere brug.

Begrebet "elværktøj", der benyttes i nedenstående advarsler, henviser til netdrevet elværktøj (med netledning) eller batteridrevet elværktøj (uden netledning).

1. Sikkerhed i arbejdsområdet

- Hold arbejdsområdet rent og ordentligt oplyst.** Rodede eller mørke områder giver anledning til ulykker.
- Brug ikke elværktøj i eksplosive omgivelser, f.eks. hvor der er brændbare væsker, gasser eller støv.** Elværktøj danner gnister, der kan antænde støv eller dampe.
- Hold børn og andre personer i nærheden på afstand, når der arbejdes med elværktøj.** Distractioner kan medføre, at du mister kontrollen.

2. Elektricitet og sikkerhed

- Elværktøjets stik skal passe til kontakten.** Stikket må aldrig modificeres på nogen måde. Undlad at bruge adapterstik sammen med (jordforbundet) elektrisk værktøj. Umodificerede stik og dertil passende stikkontakter reducerer risikoen for elektrisk stød.
- Undgå kropskontakt med jordforbundne overflader som f.eks. rør, radiatorer, komfurer og køleskabe.** Der er øget risiko for elektrisk stød, hvis din krop er jordforbundet.
- Udsæt ikke elværktøj for regn, og brug det ikke, hvor omgivelserne er våde.** Hvis der trænger vand ind i et elektrisk værktøj, øges risikoen for elektrisk stød.
- Pas på, at ledningen ikke beskadiges.** Bær, træk eller afbryd ikke apparatet vha. opladeren. Hold ledningen borte fra varme, olie, skarpe kanter og bevægelige dele. Beskadigede eller sammenfiltrede ledninger øger risikoen for elektrisk stød.
- Hvis elværktøj benyttes i det fri, skal der benyttes en forlængerledning, som er godkendt til udendørs brug.** Brug af en ledning, der er egnet til udendørs brug, reducerer risikoen for elektrisk stød.

- Brug en strømkilde med fejlstrømsrelæ, hvis det er nødvendigt at anvende elværktøj på fugtige steder.** Ved at benytte en fejlstrømsafbryder reduceres risikoen for elektrisk stød.

3. Personssikkerhed

- Vær opmærksom på, hold øje med, hvad du laver, og brug elværktøjet fornuftigt.** Betjen ikke værktøjet, hvis du er træt, påvirket af narkotika, alkohol eller medicin. Et øjeblikvis uopmærksomhed under anvendelse af et elektrisk værktøj kan forårsage alvorlige kvæstelser.
 - Brug personligt beskyttelsesudstyr. Bær altid beskyttelsesbriller.** Sikkerhedsudstyr, såsom støvmaske, skridsikre sikkerhedssko, sikkerhedshjelm eller hørevæm, brugt når omstændighederne foreskriver det, reducerer omfanget af personskader.
 - Træf forholdsregler, så utilsigtet start ikke er mulig. Kontrollér, at afbryderkontakten står på slukket, inden værktøjet tilsluttes strømkilden og/eller batteriet, samles op eller bæres.** Når elektrisk værktøj bæres med fingeren på kontakten eller tilsluttes, når kontakten er tændt, giver det anledning til ulykker.
 - Fjern indstillingsværktøj eller skruenøgle, inden elværktøjet startes.** En skruenøgle eller anden nøgle, der bliver siddende på en roterende del af elektrisk værktøj, kan give anledning til personskade.
 - Stræk dig ikke for langt. Hold hele tiden en god fodstilling og balance.** Dette udgør at du har bedre kontrol over det elektriske værktøj, når uventede situationer opstår.
 - Brug egnet arbejdstøj. Bær ikke løst tøj eller smykker.** Hold dit hår, tøj og handsker væk fra bevægelige dele. Løstsiddende tøj, smykker eller langt hår kan blive fanget i bevægelige dele.
 - Hvis der kan monteres støvudsugnings- og opsamlingsudstyr, skal dette tilsluttes og benyttes korrekt.** Anvendelse af støvopsamlingsudstyr kan begrænse farer forårsaget af støv.
 - Lad ikke kendskab fra hyppig brug af værktøjer gøre dig uforsigtig og få dig til at ignorere principperne for værktøjssikkerhed.** En uforsigtig handling kan forårsage alvorlig personskade på en brøkdal af et sekund.
- #### 4. Brug og vedligeholdelse af elværktøj
- Overbelast ikke elværktøjet. Brug det værktøj, der er bedst egnet til det arbejde, der skal udføres.** Værktøjet vil klare opgaven bedre og mere sikkert med den ydelse, som det er beregnet til.
 - Brug ikke elværktøjet, hvis afbryderkontakten er defekt.** Alt elektrisk værktøj, der ikke kan kontrolleres med kontakten, er farligt og skal repareres.
 - Træk stikket ud af stikkontakten og/eller batteriet inden indstilling, tilbehørsudskiftning eller opbevaring**

af elværktøjet. Sådanne forebyggende sikkerhedsforanstaltninger mindsker risikoen for, at værktøjet startes utilsigtet.

- d. **Opbevar ubenyttet elværktøj uden for børns rækkevidde. Lad aldrig personer, der ikke er fortrolige med elværktøjet, eller som ikke har læst denne vejledning, benytte maskinen.** El-værktøj er farligt i hænderne på personer, som ikke er instrueret i brugen deraf.
- e. **Elværktøj skal vedligeholdes. Kontroller, om bevægelige dele er skæve og ikke sidder fast, og om delene er brækket eller beskadiget, så elværktøjets funktion påvirkes. Hvis det elektriske værktøj er beskadiget, skal det repareres før brug.** Mange ulykker er forårsaget af dårligt vedligeholdt værktøj.
- f. **Hold skæreværktøj skarpt og rent.** Ordentligt vedligeholdt skæreværktøj med skarpe skærekanten har mindre tilbøjelighed til at binde og er lettere at styre.
- g. **Brug elværktøjet, tilbehøret, indsatsværktøj osv. i overensstemmelse med disse instruktioner under hensyntagen til arbejdsforholdene og arbejdet, der skal udføres med værktøjet.** Brug af elektrisk værktøj til andre opgaver end dem, det er beregnet til, kan resultere i en farlig situation.
- h. **Hold håndtagene og håndtagsfladerne tørre, rene og fri for olie og fedt.** Glatte håndtag og håndtagsflader giver ikke en sikker håndtering og kontrol af værktøjet i uventede situationer.

5. Brug og pleje af batteriværktøj

- a. **Genoplad kun med den lader, som producenten har angivet.** En oplader, der passer til en type batteripakke, kan udgøre en risiko for brand, når den bruges til en anden type.
- b. **Elværktøjer må kun bruges med batteripakker, der er beregnet hertil.** Brugen af andre batteripakker kan medføre personskaade og brand.
- c. **Når batteripakken ikke er i brug, skal den holdes på afstand af andre metalgenstande, f.eks. papirclips, mønter, nøgler, søm, skruer og andre små metalgenstande, som kan skabe forbindelse mellem de to poler.** Kortslutning af batteriet kan forårsage forbrændinger eller brand.
- d. **Under grove forhold kan væske sive ud fra batteriet. Undgå kontakt. Hvis der opstår kontakt ved et uheld, skyl med vand. Hvis væske kommer ind i øjnene, søg omgående lægehjælp.** Væske, der siver ud fra batteriet, kan fremkalde irritationer eller forbrændinger.
- e. **Brug ikke en batteripakke eller et værktøj, der er beskadiget eller modificeret.** Beskadigede eller modificerede batterier kan udvise uforudsigelig adfærd,

hvilket kan resultere i brand, eksplosion eller risiko for personskaade.

- f. **Udsæt ikke en batteripakke eller et værktøj for ild eller for høj temperatur.** Udsættelse for ild eller temperatur på over 130 °C kan forårsage eksplosion.
 - g. **Følg alle opladningsanvisninger, og undlad at oplade batteripakken eller værktøjet uden for det temperaturinterval, der er specificeret i instruktionerne.** En forkert opladning eller opladning uden for det specificerede interval kan beskadige batteriet og øge risikoen for brand.
- ## 6. Service
- a. **Lad kun kvalificerede fagfolk reparere elværktøjet, og benyt kun originale reservedele.** Derved sikres det, at værktøjets driftssikkerhed opretholdes.
 - b. **Der må aldrig foretages service på beskadigede batteripakker.** Service af batteripakker bør kun udføres af producenten eller autoriserede serviceudbydere.

Yderligere sikkerhedsadvarsler for elværktøj



Advarsel! Yderligere sikkerhedsadvarsler for håndholdte save

- ◆ **Hold i elværktøjets isolerede grebflader, hvis der er risiko for, at skæretilbehøret kommer i kontakt med skjulte ledninger.** Hvis skæretilbehøret rammer en strømførende ledning, bliver elværktøjets blotlagte dele strømførende, så brugeren får stød.
- ◆ **Hold i elværktøjets isolerede grebflader, hvis der er risiko for at beslaget kommer i kontakt med skjulte ledninger.** Hvis beslag kommer i kontakt med en strømførende ledning, bliver elværktøjets blotlagte dele strømførende, så brugeren får stød.
- ◆ **Brug skruetvinger eller lignende til at holde og støtte materialet på et stabilt underlag.** Hvis materialet holdes i hånden eller ind mod kroppen, er det ustabil, og du kan miste kontrollen.
- ◆ **Hold hænderne væk fra skæreområdet.** Ræk aldrig ind under materialet uanset årsag. Anbring ikke fingrene i nærheden af den frem- og tilbagegående kling og klingeholderen. Stabiliser ikke saven ved at gribe omkring sålen.
- ◆ **Hold klingerne skarpe.** Døve eller beskadigede klinger kan få saven til at slingre eller standse under pres. Brug altid den rigtige type savklinger til materialet og formålet.
- ◆ **Når der saves i rør og rørledninger, er det vigtigt, at de er fri for vand, elektriske ledninger osv.**
- ◆ **Rør ikke ved materialet eller klingens umiddelbart efter, at værktøjet har været i brug.** De kan være meget varme.

- ◆ **Vær opmærksom på skjulte farer, inden der saves i vægge, gulve eller lofter. Kontroller, om der findes ledninger og rør.**
- ◆ **Klingen fortsætter med at bevæge sig, efter at kontakten er sluppet.** Sluk altid værktøjet, og vent, indtil savklingens bevægelse er helt ophørt, inden du lægger værktøjet fra dig.

Advarsel! Værdien for udsendelse af vibration ved faktisk brug af elværktøjet kan afvige fra den angivne værdi afhængig af måden, værktøjet anvendes på. Vibrationsniveauet kan overstige det angivne niveau.

- ◆ Apparatets tilsigtede brug fremgår af denne vejledning. Brugen af ekstraudstyr eller tilbehør eller udførelse af opgaver med værktøjet ud over de i brugervejledningen anbefalede kan medføre risiko for personskade og/eller materiel skade.

Yderligere sikkerhedsadvarsler for elværktøj



Advarsel! Yderligere sikkerhedsadvarsler for stiksavne og save med frem- og tilbagegående bevægelser

- ◆ **Hold kun fast i elværktøjet ved hjælp af de isolerede håndtagsflader, når der skal saves i emner, hvor skæreværktøjet kan komme i kontakt med skjulte ledninger.** Hvis skæretilbehøret rammer en strømførende ledning, bliver elværktøjets blottagte dele strømførende, så brugeren får stød.
- ◆ Brug klemmer eller en anden praktisk måde på at sikre og **støtte arbejdsområdet til et stabilt underlag.** Hvis du holder fast i arbejdsområdet med din hånd eller krop, vil det være ustabil, og det kan medføre, at du mister kontrollen over det.
- ◆ **Hold hænderne på afstand af skæreområdet.** Ræk aldrig ind under arbejdsområdet uanset årsagen. Anbring ikke fingrene i nærheden af klingen med frem- og tilbagegående bevægelser og klingeholderen. Stabiliser ikke saven ved at gribe omkring skoen.
- ◆ **Hold klingerne skarpe.** Sløve klinger kan få saven til at dreje til siden eller gå i stå under tryk. Brug altid den passende type savklinge til arbejdsområdet og skæringstypen.
- ◆ **Når der skæres rør eller ledninger, skal du sørge for, at de er fri for vand, elektriske ledninger mv.**
- ◆ **Rør ikke ved materialet eller klingen umiddelbart efter, at værktøjet har været i brug.** De kan blive meget varme.
- ◆ **Vær opmærksom på skjulte farer. Inden du skærer ind i vægge, gulve eller lofter skal du kontrollere placeringen af ledninger og rør.**

- ◆ **Klingen fortsætter med at bevæge sig, efter at kontakten er sluppet.** Sluk altid værktøjet, og vent, indtil savklingens bevægelse er helt ophørt, inden du lægger værktøjet fra dig.

Advarsel! Berøring af eller indånding af støvpartikler fra skærearbejder kan udgøre en fare for brugerens og eventuelle tilskuers helbred. Bær en specielt designet støvmaske til beskyttelse mod støv og røg, og sørg for, at personer, der befinder sig på eller kommer ind på arbejdsområdet, også er beskyttet.

- ◆ Den tilsigtede anvendelse er beskrevet i denne betjeningsvejledning.
- ◆ Brug af ekstraudstyr eller tilbehør eller udførelse af andre opgaver med dette værktøj end de, der anbefales i denne vejledning, kan medføre risiko for personskade og/eller materiel skade.

Andres sikkerhed

Lad aldrig børn, personer med nedsatte fysiske, sensoriske eller mentale evner eller manglende erfaring og viden, eller folk der ikke kender disse instruktioner bruge maskinen, lokale regler kan begrænse brugerens alder.

Tilbageværende risici

Der kan opstå yderligere, tilbageværende risici under brugen af apparatet, som muligvis ikke behandles i de vedlagte sikkerhedsadvarsler. Disse risici kan opstå pga. forkert anvendelse, langvarig brug etc.

Selv ved overholdelse af relevante sikkerhedsforskrifter og anvendelse af sikkerhedsudstyr kan visse tilbageværende risici ikke undgås. Disse omfatter:

- ◆ Tilskadekomst forårsaget af berøring af roterende/bevægelige dele.
- ◆ Tilskadekomst forårsaget af udskiftning af dele, klinger eller tilbehør.
- ◆ Tilskadekomst forårsaget af langvarig brug af et apparat. Husk at holde pause jævnlige ved brug af et apparat i længere tid.
- ◆ Hørenedsættelse.
- ◆ Sundhedsrisici forårsaget af indånding af støv, der genereres ved brug af dit apparat (eksempel: arbejde med træ, især eg, bøg og MDF.)

Vibration

De angivne værdier for udsendelse af vibration anført under de tekniske data og overensstemmelseserklæringen er målt i henhold til standardtestmetoden i EN60745 og kan bruges til at sammenligne ét værktøj med et andet. Den angivne vibrationsemissionsværdi kan også bruges som en foreløbig vurdering af eksponeringen.

Advarsel! Værdien for vibrationsemission ved faktisk brug af elværktøjet kan afvige fra den angivne værdi afhængig

af måden, værktøjet anvendes på. Vibrationsniveauet kan overstige det angivne niveau.

I vurderingen af eksponeringen for vibration med henblik på fastsættelse af sikkerhedsforanstaltninger som krævet i 2002/44/EF til beskyttelse af personer, der jævnligt anvender elværktøj i deres arbejde, skal der tages hensyn til de faktiske betingelser under brugen, og måden værktøjet bruges på, herunder alle arbejds cyklussens elementer, f.eks. perioder, hvor værktøjet er slukket, og hvor det kører i tomgang, tillige med startperioderne.

Mærkatet på værktøjet

Værktøjet er forsynet med følgende advarselssymboler samt datokoden:



Advarsel! Brugeren skal læse brugervejledningen for at reducere risikoen for tilskadekomst.

Yderligere sikkerhedsvejledninger for batterier og ladere (Såfremt oplysninger)

Batterier

- ◆ Forsøg aldrig at åbne uanset årsag.
- ◆ Batteriet må ikke udsættes for fugt.
- ◆ Opbevar ikke på steder, hvor temperaturen kan overstige 40°C.
- ◆ Oplad kun ved omgivelsestemperaturer på mellem 10°C og 40°C.
- ◆ Oplad kun ved hjælp af den medfølgende lader.
- ◆ Følg ved bortskaffelse af batterier vejledningen i afsnittet "Mijø".



Forsøg ikke at oplade beskadigede batterier.

Ladere

- ◆ Brug kun din BLACK+DECKER-lader til at oplade batteriet i det værktøj, som den blev leveret sammen med. Andre batterier kan eksplodere og forårsage personskade og materielle skader.
- ◆ Prøv aldrig på at oplade ikke-opladelige batterier.
- ◆ Udskift straks defekte ledninger.
- ◆ Laderen må ikke udsættes for fugt.
- ◆ Laderen må ikke åbnes.
- ◆ Undersøg ikke laderen.



Laderen er kun beregnet til indendørs brug.



Læs brugervejledningen, før værktøjet tages i brug.

Elektricitet og sikkerhed



Laderen er dobbelt isoleret. Derfor er en jordledning ikke nødvendig. Kontroller altid, at netspændingen svarer til spændingen på typeskiltet. Forsøg aldrig at erstatte laderenheden med et almindeligt netstik.

- ◆ Hvis netledningen beskadiges, skal den udskiftes af producenten eller et autoriseret BLACK+DECKER-værksted, så farlige situationer undgås.

Komponenter

Dette værktøj leveres med nogle af eller alle de følgende komponenter.

1. Tænd/sluk-kontakt
2. Låseknop
3. Sål
4. Klingeholderens udløser
5. Klinge
6. Batteri (Såfremt oplysninger)
7. Batteriudløserknop
8. Hovedhåndtag
9. Sekundært håndtag

Figur D (Såfremt oplysninger)

10. Lader

Samling

Advarsel! Før montering: Tag batteriet ud af værktøjet, og kontroller, at savklingen er standset. Savklinger, der har været i brug, kan være varme.

Montering af savklinge (fig. A)

- ◆ Hold værktøjet væk fra kroppen.
- ◆ Åbn klingeholderens udløser (4) til helt åben position.
- ◆ Isæt klingen i klingeholderen.
- ◆ Luk klingeholderens udløser (4). Kontroller, at klingen (5) sidder fast.

Bemærk! Klingen kan monteres med tænderne opad for at gøre planskæring lettere (fig. G).

Afmontering af savklinge

Advarsel! Rør aldrig ved klingen umiddelbart efter brug. Savklinger, der har været i brug, kan være varme.

- ◆ Åbn klingeholderens udløser (4) til helt åben position.
- ◆ Tag klingen ud.

Låseknop

Værktøjet er udstyret med en kontaktpærrefunktion for at forhindre utilsigtet drift.

- ◆ Tryk på låseknappen (2), og tryk så på tænd/sluk-kontakten (1) for at tænde værktøjet.

- ◆ Når tænd/sluk-kontakten (1) slippes, slukkes værktøjet.

Isætning og udtagning af batteriet (fig. B og C)

- ◆ Anbring batteriet (6) ud for værktøjets fatning, når batteriet skal monteres. Lad batteriet glide ind i fatningen, og skub, indtil batteriet går på plads (fig. B).
- ◆ Tryk på udløserknappen (7), og træk samtidigt batteriet ud af fatningen på værktøjet (fig. C) for at tage batteriet (6) ud.

Anvendelse

Advarsel! Lad værktøjet arbejde i dets eget tempo. Det må ikke overbelastes.

Opladning af batteriet (Fig. D)

Batteriet skal oplades inden ibrugtagningen, og når det ikke leverer strøm nok til opgaver, der tidligere kunne udføres ubesværet. Batteriet kan blive varmt under opladningen. Det er normalt og ikke tegn på problemer.

Advarsel! Oplad ikke batteriet ved omgivende temperaturer på under 10 °C eller over 40 °C. Anbefalet ladetemperatur: ca. 24 °C.

Bemærk: Laderen kan ikke oplade et batteri, hvis celledtemperaturen er under ca. 10 °C eller over 40 °C. Lad batteriet stå i laderen. Laderen begynder automatisk at oplade, når celledtemperaturen er varm eller kold nok.

- ◆ Sæt batteriet (6) i opladeren (10) for at lade det op. Batteriet passer kun i laderen på én måde. Tving det ikke i. Kontroller, at batteriet er sat helt i laderen.
- ◆ Tilslut laderen, og tænd på stikkontakten.

Den grønne ladeindikator blinker.

Opladningen er afsluttet, når den grønne ladeindikator begynder at lyse konstant. Laderen og batteriet kan være tilsluttet i længere perioder. Den grønne ladeindikator blinker, når laderen en gang imellem "efterfylder" batteriet.

- ◆ Afladene batterier bør oplades inden for 1 uge. Batteriets levetid reduceres kraftigt, hvis batteriet opbevares i afladet tilstand.

Lad batteriet blive siddende i laderen

Du kan lade batteripakken sidde i laderen med den grønne ladeindikator tændt, så længe det ønskes. Laderen holder batteripakken klar og fuldt opladet.

Tænd og sluk

- ◆ Tryk på låseknappen (2), og tryk så på tænd/sluk-kontakten (1) for at tænde værktøjet.
- ◆ Sluk for værktøjet ved at slippe tænd/sluk-kontakten (1).

Savning (fig. E)

- ◆ Hold altid værktøjet med begge hænder (fig. E).
- ◆ Lad klingen (5) løbe frit et par sekunder, inden du begynder at save.

- ◆ Tryk kun let med værktøjet, mens du skærer.
- ◆ Arbejd om muligt med sålen (3) trykket mod materialet. Det giver bedre kontrol over værktøjet, og vibrationerne reduceres, ligesom du undgår at beskadige klingens.

Gode råd til optimal brug

Savning i træ (fig. F)

- ◆ Fastgør materialet, og fjern alle søm og metalobjekter.
- ◆ Hold værktøjet med begge hænder, og arbejd med sålen (3) trykket mod materialet.

Planskæring (fig. G)

Bajonetsavens motorhus er kompakt, og sålen (3) kan drejes, så det bliver muligt at save tæt på gulvet, i hjørner og andre vanskelige områder.

Sådan optimeres mulighederne for glatskæring:

- ◆ Sæt klingens skaft ind i klingeholderen, så tænderne vender opad.
- ◆ Indstil vinklen på værktøjets håndtag, så du er så tæt på arbejdsoverfladen som muligt.

Savning i metal (fig. H)

- ◆ Brug en savklinge, der egner sig til skæring i metal. Brug den fintandede klinge til jernholdige metaller og den grovere klinge til metaller uden jern.
- ◆ Klem et stykke spildtræ til bagsiden af arbejds materialet og sav gennem denne sandwich når der skæres i tynde metalplader.
- ◆ Læg en oliefilm langs den påtænkte skæringslinje.

Snit i træ (fig. I)

- ◆ Mål, og marker det ønskede snit.
- ◆ Monter en savklinge, der egner sig til stiksavning.
- ◆ Lad sålen (3) hvile på materialet, så klingens vinkel får en passende vinkel til at foretage snittet.
- ◆ Tænd værktøjet, og lad langsomt klingens trænge ind i materialet. Sørg for, at sålen (3) hele tiden bevarer kontakten med materialet.

Savning af grene

Der kan skæres grene med en diameter på op til 25 mm med dette værktøj.

Advarsel! Brug ikke værktøjet, mens du sidder i træet eller står på en stige eller en anden ustabil flade. Vær opmærksom på, i hvilken retning grenen vil falde.

- ◆ Skær nedad og væk fra dig selv.
- ◆ Foretag snittet så tæt på hovedgrenen eller stammen som muligt.

Lodret snit

Det er muligt at skære til hjørner og andre vanskelige områder med værktøjet.

- ◆ Sæt savklingens skaft ind i klingeholderen, så klingens tænder vender opad.
- ◆ Hold værktøjet, så sålen (3) vender nedad, og du kan komme så tæt på arbejdsfladen som muligt.
- ◆ Skær fremad og væk fra dig selv.

Tilbehør

Værktøjets ydeevne afhænger af det anvendte tilbehør. Tilbehør fra BLACK+DECKER er fremstillet efter høje kvalitetsstandarder og er designet til at forbedre dit værktøjs ydeevne. Når du bruger dette tilbehør, vil værktøjet yde optimalt.

Klinger

Der kan anvendes en klinge på op til 30 cm i længden til saven. Brug altid den korteste klinge, som egner sig til opgaven, men alligevel er lang nok til kunne skære gennem materialet. Lange klinger er mere tilbøjelige til at bøje eller blive beskadiget under brug. Under brugen kan visse klinger vibrere eller ryste, hvis saven ikke bevarer kontakten med materialet.

Vedligeholdelse

Dit BLACK+DECKER-værktøj er beregnet til brug gennem lang tid med et minimum af vedligeholdelse. Fortsat tilfredsstillende drift afhænger af korrekt behandling af værktøjet samt regelmæssig rengøring.

Laderen kræver ingen vedligeholdelse, men skal rengøres jævnligt.

Advarsel! Tag batteriet ud af værktøjet, inden der foretages vedligeholdelse på værktøjet. Træk laderen ud af stikkontakten, før den rengøres.

- ◆ Rens jævnligt værktøjets og laderens ventilationshuller med en blød børste eller en tør klud.
- ◆ Rens regelmæssigt motorhuset med en fugtig klud. Der må ikke bruges skuremidler eller opløsningsmidler.
- ◆ Åbn jævnligt patronen, og bank på den for at fjerne støv indvendigt.

Miljøbeskyttelse



Særskilt bortskaffelse. Produkter og batterier mærket med dette symbol må ikke bortskaffes sammen med normalt husholdningsaffald

Produkter og batterier indeholder materialer, der kan genvindes eller genbruges og således reducere efterspørgslen efter råvarer.

Genbrug venligst elektriske produkter og batterier i henhold til lokale bestemmelser. Yderligere informationer findes på www.2helpU.com

Tekniske data

		BDCR18 (H1)
Indgangsspænding	V_{DC}	18
Hastighed uden belastning	Min^{-1}	0-3000
Strøglængde	mm	22
Vægt	kg	1.5

Oplader		905902**/ N4940**	905998**/ 906349**
Input-spænding	V_{AC}	100-240	220-240
Output-spænding	V_{DC}	8-20	8-20
Strøm	mA	400	1000
Ca. opladningstid	Hours	3-11	1.5-5

Batteri (Såfremt oplysninger)		BL2018*	BL1518*	BL2518*	BL4018
Voltage	V_{DC}	18	18	18	18
Capacity	Ah	2.0	1.5	2.5	4.0
Type		Li-Ion	Li-Ion	Li-Ion	Li-Ion

Lydtrykniveau i henhold til EN 60745:	
Lydtryk (L_{pA})	79.5 dB(A), usikkerhed (K) 3 dB(A)
Lydeffekt (L_{WA})	90.5 dB(A), usikkerhed (K) 3 dB(A)

Samlede værdier for vibration (triaksial vektorsum) i henhold til EN 60745:	
Savning i lister ($a_{h,B}$)	17.9 m/s^2 , usikkerhed (K) 1.5 m/s^2
Savning i træbjælker ($a_{h,WB}$)	19.7 m/s^2 , usikkerhed (K) 1.5 m/s^2

EU-overensstemmelseserklæring MASKINDIREKTIV



BDCR18 - bajonetsav

Black & Decker erklærer, at produkterne beskrevet under "Tekniske data" er i overensstemmelse med: EN60745-1:2009+A11:2010, EN60745-2-11:2010

Disse produkter er endvidere i overensstemmelse med direktiv 2006/42/EF, 2014/30/EU og 2011/65/EU.

Kontakt Black & Decker på nedenstående adresse eller se vejledningens bagside for at få flere oplysninger.

Undertegnede er ansvarlig for udarbejdelsen af de tekniske data og fremsætter denne erklæring på vegne af Black & Decker.



Ray Laverick

Direktør for konstruktioner
Black & Decker Europe, 210 Bath Road, Slough,
Berkshire, SL1 3YD
Storbritannien
26/10/2018

Garanti

Black & Decker er sikker på kvaliteten af sine produkter og tilbyder forbrugerne en garanti på 24 måneder fra købsdatoen. Garantien er et tillæg til forbrugerens lovmæssige rettigheder og påvirker ikke disse. Garantien er gyldig inden for medlemsstaterne af Den Europæiske Union og Det Europæiske Frihandelsområde.

Når du gør krav på garantien, skal kravet være i overensstemmelse med Black & Decker vilkår og betingelser, og du skal indsende dokumentation for købet til sælgeren eller til en autoriseret reparatør. Vilkår og betingelser for Black & Decker 2 års garanti og placeringen af dit nærmeste autoriserede serviceværksted kan fås på internettet på www.2helpU.com, eller ved at kontakte dit lokale Black & Decker kontor på den adresse, der er angivet i denne vejledning.

Besøg venligst vores websted www.blackanddecker.co.uk for at registrere dit nye Black & Decker produkt og modtage opdateringer om nye produkter og specielle tilbud.

Käyttötarkoitus

Tämä BLACK+DECKER BDCR18 -pistosaha on tarkoitettu puun, muovin ja metallin sahaamiseen. Tämä työkalu on tarkoitettu vain yksityiskäyttöön.

Turvallisuusohjeet

Sähkötyökalujen yleiset turvavaroitukset



Varoitus! Lue kaikki turvallisuusvaroitukset ja ohjeet. Alla olevien varoitusten ja ohjeiden noudattamisen laiminlyönti saattaa johtaa sähköiskuihin, tulipaloon ja/tai vakavaan loukkaantumiseen.

Säästä kaikki varoitukset ja ohjeet tulevaa käyttöä varten. Ohjeissa käytetty käsite "sähkötyökalu" tarkoittaa verkkokäyttöisiä sähkötyökaluja (verkkojohdolla varustettuja) ja akkukäyttöisiä sähkötyökaluja (ilman verkkojohtoa).

1. Työalueen turvallisuus

- Pidä työalue puhtaana ja varmista sen hyvä valaistus.** Onnettomuuksia sattuu herkemmin epäsiistissä tai huonosti valaistussa ympäristössä.
- Älä käytä sähkötyökalua räjähdysalttiissa ympäristössä, jossa on syttyvää nestettä, kaasua tai pölyä.** Sähkötyökalujen aiheuttamat kipinät voivat sytyttää pölyn tai kaasun.
- Pidä lapset ja sivulliset loitolla sähkötyökalua käyttäessäsi.** Keskeytymiskyvyn herpaantuminen voi aiheuttaa hallinnan menettämisen.

2. Sähköturvallisuus

- Sähkötyökalun pistokkeen on sovittava pistorasiaan. Älä koskaan tee pistokkeeseen mitään muutoksia. Älä yhdistä maadoitettua sähkötyökalua jatkojohtoon.** Sähköiskun vaara vähenee, jos pistokkeisiin ei tehdä muutoksia ja ne yhdistetään vain niille tarkoitettuihin pistorasioihin.
- Vältä koskettamasta maadoitettuja pintoja, kuten putkia, lämpöpattereita, liesiä tai jääkaappeja.** Voit saada sähköiskun, jos kehosi on maadoitettu.
- Älä altista sähkötyökalua sateelle tai kosteudelle.** Sähkötyökaluun menevä vesi lisää sähköiskun vaaraa.
- Älä käsittele virtajohtoa kovakouraisesti. Älä käytä johtoa laturin kantamiseen, vetämiseen tai pistokkeen irrottamiseen pistorasiasta. Pidä sähköjohto kaukana kuumuudesta, öljystä, terävistä reunoista tai liikkuvista osista.** Vaurioituneet tai sokeutuneet johdot lisäävät sähköiskun vaaraa.
- Käyttäessäsi sähkötyökalua ulkona käytä ainoastaan ulkokäyttöön soveltuvaa jatkojohtoa.** Ulkokäyttöön tarkoitettun sähköjohdon käyttäminen vähentää sähköiskun vaaraa.

- f. **Jos sähkötyökälu on välttämättä käytettävä kosteassa paikassa, käytä vikavirtasuojalla (RCD) suojattua virtalähdettä.** Tämä vähentää sähköiskun vaaraa.
3. **Henkilöturvallisuus**
- a. **Ole valpas, keskity työhön ja noudata tervettä järkeä sähkötyökäluun käytössä. Älä käytä tätä työkalua ollessasi väsynyt tai alkoholin, huumeiden tai lääkkeiden vaikutuksen alaisena.**
Keskittymisen herpaantuminen hetkeksikin sähkötyökäluun käytettäessä voi aiheuttaa vakavan henkilövahingon.
- b. **Käytä henkilökohtaisia suojavarusteita. Käytä aina suojalaseja.** Hengityssuojaimen, liukumattomien turvajalkineiden, kypärän ja kuulosuojaimen käyttäminen vähentää henkilövahinkojen vaaraa.
- c. **Vältä tahatonta käynnistämistä. Varmista, että kytkin on OFF-asennossa, ennen kuin liität laitteen virtalähteeseen ja/tai akkuun, nostat laitteen tai kannat sitä.** Sähkötyökäluun kantaminen sormi virtakytkimellä lisää onnettomuusvaaraa.
- d. **Irrota mahdollinen säätö- tai kiintoavain ennen kuin käynnistät sähkötyökäluun.** Sähkötyökäluun pyöriivään osaan kiinni jäänyt avain voi johtaa loukkaantumiseen.
- e. **Älä kurkota. Huolehdi siitä, että sinulla on koko ajan tukeva jalansija ja hyvä tasapaino.** Näin voit hallita sähkötyökäluun paremmin odottamattomissa tilanteissa.
- f. **Käytä tarkoitukseen soveltuvia vaatteita. Älä käytä löysiä vaatteita tai koruja. Pidä hiukset, vaatteet ja kädet loitolla liikkuvista osista.** Löysät vaatteet, korut tai pitkät hiukset voivat tarttua liikkuviin osiin.
- g. **Jos työkalun voi liittää polynimuriin, tarkista, että liitos on tehty asianmukaisesti ja että laitteita käytetään oikealla tavalla.** Pölyn ottaminen talteen voi vähentää pölyn aiheuttamia vaaroja.
- h. **Vaikka käyttäisit usein työkaluja ja sinulla olisi niistä hyvä tuntemus, älä jätä lukematta työkalun turvallisuusohjeita.** Huolimattomuus voi johtaa vakaviin henkilövahinkoihin jopa sekunnin murto-osassa.
4. **Sähkötyökälujen käyttö ja hoito**
- a. **Älä yliuormita sähkötyökäluja. Valitse käyttötarkoituksen kannalta oikea sähkötyökälu.** Sähkötyökälu toimii paremmin ja turvallisemmin, kun sitä käytetään sille suunniteltuun käyttötarkoitukseen.
- b. **Älä käytä sähkötyökäluja, jota ei voida käynnistää ja pysäyttää virtakytkimestä.** Jos sähkötyökälu ei voi hallita kytkimen avulla, se on vaarallinen ja se on korjattava.
- c. **Irrota pistotulppa pistorasiasta ja/tai akku laitteesta ennen kuin suoritat säätöjä, vaihdat tarvikkeita tai siirrä sähkötyökäluun varastoitavaksi.** Näin voit vähentää vahingossa käynnistymisen aiheuttaman henkilövahingon vaaraa.
- d. **Säilytä sähkötyökälu poissa lasten ulottuvilta, kun niitä ei käytetä. Älä anna sähkötyökälu sellaisen henkilön käyttöön, joka ei tunne sitä tai joka ei ole tutustunut tähän käyttöohjeeseen.** Sähkötyökälu ovat vaarallisia kouluttamattomien käyttäjien käsissä.
- e. **Hoida sähkötyökäluasi huolella.**
Tarkista, että liikkuvat osat toimivat moitteettomasti ja etteivät ne ole puristuksessa. Tarkista myös, ettei työkalussa ei ole murtuneita tai vahingoittuneita osia, jotka saattaisivat vaikuttaa haitallisesti sen toimintaan. Jos havaitset vaurioita, korjauta sähkötyökälu ennen niiden käyttämistä. Huonosti kunnossapidetyt sähkötyökälu aiheuttavat onnettomuuksia.
- f. **Pidä leikkausterät terävinä ja puhtaina.** Kunnossa pidettyjen leikkaavia teräviä reunoja sisältävien työkalut todennäköisyys jumiutua vähenee, ja niitä on helpompi hallita.
- g. **Käytä sähkötyökäluja, tarvikkeita, vaihtoteriä yms. näiden ohjeiden mukaisesti. Ota tällöin huomioon työolosuhteet ja suoritettava toimenpide.** Jos sähkötyökälu käytetään näiden ohjeiden vastaisesti, voi syntyä vaaratilanne.
- h. **Pidä kahvat ja kädensijat kuivina ja puhtaina öljystä ja rasvasta.** Liukkaat kahvat ja kädensijat estävät työkalun turvallisen käsittelyn ja hallinnan odottamattomissa tilanteissa.
5. **Akkutyökäluun käyttö ja huolto**
- a. **Lataa akku vain valmistajan määrittelemällä laturilla.** Laturi, joka on sopiva yhden tyyppiselle akulle, voi aiheuttaa tulipalon vaaran, jos sitä käytetään toisen tyyppisellä akulla.
- b. **Käytä sähkötyökäluissa ainoastaan kyseiseen sähkötyökäluun tarkoitettua akkua.** Muun tyyppisen akun käyttö saattaa johtaa loukkaantumiseen ja tulipaloon.
- c. **Pidä irrallinen akku loitolla metalliesineistä, kuten paperiliittimistä, kolikoista, avaimista, nauloista, ruuveista tai muista pienistä metalliesineistä, jotka voivat aiheuttaa oikosulun akun navoissa.** Kennon pinteiden oikosulku voi aiheuttaa palovammoja tai tulipalon.
- d. **Väärin käytetystä akusta voi vuotaa nestettä. Älä kosketa sitä. Jos nesteen kanssa joutuu kosketuksiin, huuhtele vedellä. Jos nestettä joutuu silmiin, hakeudu lisäksi lääkärin hoitoon.** Akusta roiskunut neste saattaa aiheuttaa ärsytystä tai palovammoja.
- e. **Akkua tai työkalua ei saa käyttää, jos siinä on vaurioita tai sitä on muunneltu.** Vaurioituneet tai muunnellut akut voivat johtaa odottamattomiin tilanteisiin ja vaarana ovat tulipalo, räjähdys ja henkilövahingot.

- f. Suojaa akku ja työkalu tulelta ja liian korkeilta lämpötiloilta. Se voi räjähtää yli 130 °C lämpötilassa.
- g. Noudata kaikkia latausohjeita. Akkua tai työkalua ei saa ladata ohjeissa määritetystä lämpötilavälisestä poikkeavassa lämpötilassa. Jos akku ladataan virheellisesti tai määritetystä lämpötilavälisestä poikkeavassa lämpötilassa, seurauksena voi olla akun vaurioituminen ja tulipalovaara.
6. Huolto
- a. Korjauta sähkötyökalu koulutetulla ja ammattitaitoisella henkilöllä ja hyväksy korjauksiin vain alkuperäisiä varaosia. Tämä varmistaa sähkötyökalun turvallisuuden.
- b. Älä koskaan huolla vaurioituneita akkuja. Ainoastaan valmistaja tai valtuutetut huoltoliikkeet saavat huoltaa akkuja.

Sähkötyökalujen lisäturvavaroitukset



Varoitus! Käsisahojen lisäturvavaroitukset

- ◆ **Pitele sähkötyökalua eristetyistä tartuntapinnoista, kun teet työtä, jossa kiinnitin voi joutua kosketuksiin piilossa olevien sähköjohtojen kanssa.** Työkalun kosketus jännitteisen johtimen kanssa voi tehdä myös työkalun paljaista metalliosista jännitteisiä ja aiheuttaa sähköiskun käyttäjälle.
- ◆ **Pitele sähkötyökalua eristetyistä tartuntapinnoista, kun teet työtä, jossa kiinnitin voi joutua kosketuksiin piilossa olevien sähköjohtojen kanssa.** Työkalun kiinnittimen kosketus jännitteisen johtimen kanssa voi tehdä myös työkalun paljaista metalliosista jännitteisiä ja aiheuttaa sähköiskun käyttäjälle.
- ◆ **Kiinnitä työstettävä kappale esimerkiksi ruuvipuristimella tukevaan alustaan.** Kappaleen kannatteleminen käsin tai sen tukeminen omaa vartaloa vasten voi johtaa kappaleen irtoamiseen ja vaaratilanteeseen.
- ◆ **Pidä kätesi poissa leikkausalueelta.** Älä koskaan työnnä kättäsi työstökohteen alapuolelle. Älä työnnä sormia liikkuvan terän tai sen kiinnikkeen läheisyyteen. Älä tue sahaa pitämällä kiinni sahausjalasta.
- ◆ **Pidät terät terävinä.** Tylsät tai vahingoittuneet terät voivat leikata vinoon tai jäädä kiinni. Käytä työstettävään materiaaliin soveltuvaa sahanterää, jolla saat haluamasi sahausjäljen.
- ◆ **Jos sahaat putkea tai kotelointia, tarkista ensin, ettei sen sisällä ole vettä, sähköjohtoa, tms.**
- ◆ **Älä kosketa terää tai sahattua leikkauspintaa heti sahausksen jälkeen.** Ne voivat olla hyvin kuumia.
- ◆ **Varo piilossa olevia vaaroja.** Tarkista sähköjohtojen ja putkien sijainti, ennen kuin sahaat seinää, lattiaa tai kattoa.

- ◆ **Terän liike jatkuu vielä hetken käyttökytkimen vapautamisen jälkeen.** Katkaise virta ja odota, että terän liike on kokonaan pysähtynyt ennen kuin lasket koneen käsistäsi.

Varoitus! Sähkötyökalun käytön aikana mitattu todellinen tärinäpäästöarvo voi poiketa ilmoitetusta tärinäpäästöarvosta työkalun käyttötavan mukaan. Tärinätaso voi olla ilmoitettua tasoa suurempi.

- ◆ Työkalun käyttötarkoitus on kuvattu tässä käyttöohjeessa. Käytä työkalua ainoastaan sellaiseen työhön, johon se on tarkoitettu, ja käytä vain käyttöohjeessa ja tuotekuvastossa suositeltuja tarvikkeita ja lisälaitteita. Ohjeesta poikkeava käyttö voi aiheuttaa henkilö- ja/tai omaisuusvahinkoja.

Sähkötyökalujen lisäturvavaroitukset



Varoitus! Lisäturvavaroitukset pistosahoille ja kehysahoille

- ◆ **Pidä sähkötyökalua eristetyistä kahvoista, kun leikkausväline voi koskettaa piilossa oleviin johtoihin toimenpiteen aikana.** Terien osuminen jännitteiseen johtoon tekee sen paljaista metalliosista jännitteisiä, joten käyttäjä voi saada sähköiskun.
- ◆ **Käytä puristimia tai muita käytännöllisiä menetelmillä kiinnittäaksesi työstökappaleen tukevasti vakaaseen alustaan.** Työn pitäminen käsin tai vartaloa vasten on epävakaata ja saattaa johtaa kontrollin menetykseen.
- ◆ **Pidä kätesi pois leikkausalueelta.** Älä koskaan kurkottele työstökappaleen alapuolelle. Älä työnnä sormia pyörivän terän ja terän kiinnikkeen läheisyyteen. Älä tue sahaa pitämällä kiinni sahausjalasta.
- ◆ **Pidä terät terävinä.** Tylsät tai vaurioituneet terät voivat aiheuttaa sahan yllättävän kääntymisen tai sakkaamisen paineen alla. Käytä aina asianmukaista sahanterää työstökappaleen materiaalin ja leikkaustyypin mukaan.
- ◆ **Varmistu putken tai kanavan leikkaamisen aikana, ettei niissä ole vettä, sähköjohtoja, jne.**
- ◆ Älä kosketa terää tai sahattua leikkauspintaa heti työkalun käytön jälkeen. Ne voivat olla erittäin kuumia.
- ◆ **Huomioi piilevät vaarat ennen seinien, lattioiden tai kattojen tai putkien leikkaamista.**
- ◆ **Terän liike jatkuu vielä hetken käyttökytkimen vapauttamisen jälkeen.** Katkaise virta työkalusta ja odota, että terän liike on kokonaan pysähtynyt, ennen kuin lasket työkalun käsistäsi.

Varoitus! Leikatessa syntyvän pölyn kanssa kosketuksiin joutuminen tai sen hengittäminen saattaa olla haitallista käyttäjän tai lähellä olijoiden terveydelle. Käytä kasvosuojusta, joka on erityisesti tarkoitettu suojaamaan pölyltä ja höyryiltä, ja varmista, että kaikki työskentelyalueella olevat ja sinne tulevat henkilöt käyttävät suojavarusteita.

- ◆ Tarkoitettu käyttö on kuvattu tässä käyttöohjeessa.
- ◆ Käytä työkalua ainoastaan sellaiseen työhön, johon se on tarkoitettu, ja käytä vain käyttöohjeessa ja tuotekuvastossa suositeltuja tarvikkeita ja lisälaitteita. Ohjeesta poikkeava käyttö voi aiheuttaa henkilö- ja/tai omaisuusvahinkoja.

Muiden henkilöiden turvallisuus

Lapset, fyysisesti, aistillisesti tai henkisesti puutteelliset tai kokemattomat ja kouluttamattomat henkilöt, jotka eivät tunne näitä ohjeita, eivät saa koskaan käyttää konetta. Paikalliset säädökset saattavat määrittää käyttäjiä koskevia ikärajoituksia.

Jännönsriskit

Myyös muut kuin turvavaroituksissa mainitut riskit ovat mahdollisia työkalua käytettäessä. Nämä riskit voivat liittyä muun muassa virheelliseen tai pitkäaikaiseen käyttöön.

Tiettyjä jännönsriskejä ei voi välttää, vaikka noudatetaan kaikkia turvamaääräyksiä ja käytetään turvalaitteita. Näitä ovat:

- ◆ pyörivien tai liikkuvien osien koskettamisen aiheuttamat vahingot.
- ◆ osia, teriä tai lisävarusteita vaihdettaessa aiheutuneet vahingot.
- ◆ työkalun pitkäaikaisen käytön aiheuttamat vahingot. Varmista, että pidät säännöllisesti taukoja työkalun pitkäaikaisen käytön aikana.
- ◆ Kuulon heikkeneminen.
- ◆ Työkalua käytettäessä (esimerkiksi puuta, erityisesti tammea, pyökkiä ja MDF-levyjä käsiteltäessä) syntyneen pölyn sisäänhengityksen aiheuttamat terveysriskit.

Tärinä

Teknisissä tiedoissa ja vaatimustenmukaisuusvakuutuksessa ilmoitettu tärinäpäästöarvo on mitattu EN60745-standardin testausmenetelmän mukaisesti, ja arvoa voi käyttää työkalujen keskinäiseen vertailuun. Ilmoitettua tärinäpäästöarvoa voi käyttää myös altistumisen alustavaan arviointiin.

Varoitus! Sähkötyökalun käytön aikana mitattu todellinen tärinäpäästöarvo voi poiketa ilmoitetusta tärinäpäästöarvosta työkalun käyttötavan mukaan. Tärinätasoa voi olla ilmoitettua tasoa suurempi.

Kun tärinälle altistumista arvioidaan sen määrittämiseksi, mitä direktiivin 2002/44/EY mukaisia turvatoimenpiteitä vaaditaan sähkötyökaluja säännöllisesti käyttävien henkilöiden suojelemiseksi, tärinälle altistumisen arvioinnissa on otettava huomioon todelliset käyttöolosuhteet ja työkalun käyttötavat. Todellisen käytön lisäksi on kiinnitettävä huomiota myös siihen, milloin työkalu on sammutettuna tai se käy tyhjäkäynnillä.

Työkalussa olevat merkinnät

Työkaluun on merkitty päivämääräkoodi sekä seuraavat varoitusmerkinnät:



Varoitus! Vahinkojen välttämiseksi käyttäjän on luettava käyttöohje.

Akkuja ja laturia koskevat lisäturvaohjeet (jossa toimitetaan)

Akku

- ◆ Älä koskaan yritä avata akkua.
- ◆ Älä anna akun kastua.
- ◆ Älä säilytä akkua tiloissa, joissa lämpötila voi nousta yli 40 °C:een.
- ◆ Lataa akku paikassa, jonka lämpötila on vähintään +10 °C ja enintään +40 °C.
- ◆ Lataa akku ainoastaan työkalun mukana toimitetulla laturilla.
- ◆ Noudata akkuja hävittäessäsi kohdassa Ympäristönsuojelu annettuja ohjeita.



Älä koskaan yritä ladata viallisia akkuja.

Laturit

- ◆ Käytä BLACK+DECKER-laturia vain laitteen mukana toimitetun akun lataamiseen. Muut akut voivat räjähtää ja aiheuttaa henkilövahinkoja tai aineellisia vahinkoja.
- ◆ Älä koskaan yritä ladata paristoja, joita ei ole tarkoitettu ladattavaksi.
- ◆ Vaihda vialliset johdot välittömästi ehjiin.
- ◆ Älä altista laturia vedelle.
- ◆ Älä avaa laturia.
- ◆ Älä työnnä mitään laturin sisään.



Laturi on tarkoitettu ainoastaan sisäkäyttöön.



Lue käyttöohjeet huolellisesti ennen laitteen käyttöä.

Sähköturvallisuus



Laturi on kaksoiseristetty, joten erillistä maadoitusta ei tarvita. Tarkista aina, että verkkojännite vastaa arvokilvessä ilmoitettua jännitettä. Älä yritä korvata laturiyksikköä tavallisella verkkopistokkeella.

- ◆ Jos virtajohto vahingoittuu, sen vaihtaminen on turvallisuussyistä jätettävä valmistajan tai valtuutetun BLACK+DECKER-huollon tehtäväksi.

Yleiskuvaus

Tässä työkalussa on joitakin tai kaikki seuraavista ominaisuuksista.

1. Virtakytkin
2. Lukituspainike
3. Sahausjalka
4. Terän irrotinvipu
5. Terä
6. Akku (jossa toimitetaan)
7. Akun vapautuspainike
8. Pääkahva
9. Lisäkahva

Kuva D (jossa toimitetaan)

10. Laturi

Kokoaminen

Varoitus! Varmista ennen kokoamista, että akku on poistettu työkalusta ja että sahanterä on pysähtynyt. Käytössä olleet sahanterät voivat olla kuumia.

Sahanterän kiinnitys (kuva A)

- ◆ Pidä työkalu kaukana kehosta.
- ◆ Avaa terän irrotinvipu (4) kokonaan.
- ◆ Työnnä terävarsi etupuolella.
- ◆ Sulje terän irrotinvipu (4). Varmista, että kahva (5) on tukevasti kiinnitetty.

Huomautus: Terä voidaan asentaa hampaat ylöspäin, mikä helpottaa tasakatkaisua (kuva G).

Sahanterän irrottaminen

Varoitus! Älä kosketa terää välittömästi käytön jälkeen.

Käytössä olleet sahanterät voivat olla kuumia.

- ◆ Avaa terän irrotinvipu (4) kokonaan.
- ◆ Poista terä.

Lukituspainike

Tässä työkalussa on lukituskytkin työkalun tahattoman käytön estämiseksi.

- ◆ Käynnistä työkalu painamalla lukituspainiketta (2) ja sitten virtakytkintä (1).
- ◆ Virtakytkimen vapauttaminen (1) sammuttaa työkalun.

Akun kiinnittäminen ja irrottaminen (kuvat B ja C)

- ◆ Kiinnitä akku (6) asettamalla se koneen liitännän kanssa samaan linjaan. Liu'uta akkua kiinnityssyvennykseen, kunnes akku lukittuu paikalleen (kuva B).
- ◆ Irrota akku painamalla (6) akun vapautuspainiketta (7) samalla kun vedät akkua irti liitännästä (kuva C).

Käyttö

Varoitus! Anna työkalun käydä omaan tahtiinsa. Älä ylikuormita sitä.

Akun lataaminen (kuva D)

Lataa akku ennen ensimmäistä käyttökertaa ja aina silloin, kun se ei enää tuota riittävästi virtaa toimintoihin, jotka aikaisemmin hoituivat helposti. Akku voi lämmetä ladattaessa. Tämä on normaalia, eikä se ole merkki mistään viasta.

Varoitus! Älä lataa akkua alle 10 °C tai yli +40 °C asteen lämpötiloissa. Suositeltava latauslämpötila: noin +24 °C.

Huomautus: Laturi ei lataa akkuja, jos akun kennon lämpötila on alle +10 °C tai yli +40 °C. Akku on kuitenkin jätettävä laturiin. Laturi aloittaa lataamisen automaattisesti, kun kennon lämpötila laskee tai nousee sallitulle lämpötila-alueelle.

- ◆ Lataa akku (6) asettamalla se laturiin (10). Akku sopii laturiin vain yhdessä asennossa. Älä laita sitä laturiin väkisin. Varmista, että akku on kunnolla laturissa.
- ◆ Kytke laturi pistorasiaan.

Latauksen vihreä merkkivalo vilkkuu.

Akku on ladattu, kun latauksen vihreä merkkivalo palaa keskeytyksettä. Akku voidaan jättää laturiin vaikka kuinka pitkäksi aikaa. Latauksen vihreä merkkivalo alkaa vilkkua ns. täydennyslatauksen ajaksi.

- ◆ Lataa akut viikon kuluessa tyhjentymisestä. Akkujen käyttöikä lyhenee merkittävästi, jos ne jätetään tyhjiksi pitkäksi aikaa.

Akun jättäminen laturiin

Akku voidaan jättää laturiin, kun latauksen vihreä merkkivalo palaa. Laturi pitää akun käyttövalmiina ja ladattuna.

Käynnistäminen ja pysäyttäminen

- ◆ Käynnistä työkalu painamalla lukituspainiketta (2) ja sitten virtakytkintä (1).
- ◆ Sammuta laite vapauttamalla virtakytkin (1).

Sahaaminen (kuva E)

- ◆ Pitele työkalua aina kahdella kädellä (kuva E).
- ◆ Anna terän (5) liikkua vapaasti muutaman sekunnin ajan, ennen kuin aloitat sahaamisen.
- ◆ Paina työkalua vain kevyesti, kun sahaat.
- ◆ Paina sahausjalkaa (3) työkaluun vasten sahatessasi, jos se on mahdollista. Se parantaa työkalun hallintaa ja vähentää sen värinää. Lisäksi se estää vaurioitumasta.

Vinkejä parhaimman tuloksen saavuttamiseksi

Puun sahaaminen (kuva F)

- ◆ Kiinnitä työkalu tukevasti ja irrota kaikki naulat ja metalliesineet.
- ◆ Pitele työkalua molemmilla käsillä. Työskentele pitämällä sahausjalka (3) painettuna työkaluun vasten.

Tasakatkaisu (kuva G)

Pistosahan moottorin kotelon ja kääntyvän sahausjalan (3) kompakti rakenne mahdollistavat lattioiden, nurkkien ja muiden vaikeiden alueiden sahaamisen.

Tasakatkaisuominaisuuksien mahdollisimman tehokas hyödyntäminen:

- ◆ Työnnä sahanterän varsi teränpitimeen siten, että terän hampaat ovat ylöspäin.
- ◆ Säädä työkalun kahvan kulmaa niin, että olet mahdollisimman lähellä työpintaa.

Metallin sahaaminen (kuva H)

- ◆ Käytä metallin sahaamiseen sopivaa sahanterää. Käytä hienohampaista sahanterää, kun sahaat rautapitoisia metalleja. Käytä karkeampaa sahanterää, kun sahaat muita metalleja.
- ◆ Kun sahaat ohutta metalliarkkia, purista palat hukkapuuta työkappaleen molemmille puolille ja sahaa kaikkien kerrosten läpi.
- ◆ Levitä ohut kerros öljyä aiotulle sahauslinjalle.

Puun pistosahaus (kuva I)

- ◆ Mittaa ja merkitse vaadittu sahaus.
- ◆ Asenna pistosahaukseen sopiva sahanterä.
- ◆ Pidä sahausjalkaa (3) työkappaleen päällä sellaisessa asennossa, että terä tuodostaa asianmukaisen kulman pistosahausta varten.
- ◆ Kytke työkalu päälle ja syötä terä hitaasti työkappaleeseen. Varmista, että sahausjalka (3) on kosketuksissa työkappaleen kanssa koko ajan.

Oksien sahaaminen

Tällä työkalulla voidaan sahata oksia, joiden halkaisija on enintään 25 mm.

Varoitus! Älä käytä työkalua ollessasi puussa, tikkailla tai jollakin muulla epävakaaalla alustalla. Varo putoavia oksia.

- ◆ Leikkaa alaspäin ja poispäin kehostasi.
- ◆ Tee leikkaus lähelle pääkopsaa tai puunrunkoa.

Sahaaminen pystysuunnassa

Työkalun avulla voidaan sahata nurkkia ja muita vaikeita alueita.

- ◆ Työnnä sahanterän varsi teränpitimeen siten, että terän hampaat ovat ylöspäin.
- ◆ Pitele työkalua sahausjalka (3) alaspäin niin, että olet mahdollisimman lähellä työpintaa.
- ◆ Sahaa eteenpäin ja poispäin kehostasi.

Lisävarusteet

Työkalun suorituskyky riippuu käytetystä lisävarusteesta. Korkealaatuiset BLACK+DECKER-lisävarusteet on suunniteltu

parantamaan työkalun suorituskykyä. Käyttämällä näitä lisävarusteita saat sahostasi parhaan hyödyn.

Terät

Sahassa voidaan käyttää enintään 30 cm:n pituisia teriä. Käytä aina lyhintä tarkoitukseen sopivaa terää, mutta huolehdi siitä, että terä on riittävän pitkä, jotta sillä voidaan sahata materiaalin läpi. Pitemmät terät taipuvat tai vahingoittuvat helpommin käytön aikana. Jotkin terät voivat väristä tai täristä, jos ne eivät ole kosketuksissa työkappaleeseen.

Huolto

BLACK+DECKER-työkalu on suunniteltu toimimaan mahdollisimman pitkän aikaa mahdollisimman vähällä huollolla. Oikealla huollolla ja säännöllisellä puhdistuksella kone säilyttää suorituskykynsä.

Laturi ei tarvitse säännöllisen puhdistamisen lisäksi mitään muuta huoltoa.

Varoitus! Poista akku ennen työkalun huoltamista. Irrota laturi pistorasiasta ennen laturin puhdistamista.

- ◆ Puhdista saksien ja laturin ilma-aukot säännöllisesti pehmeällä harjalla tai kuivalla kangasliinalla.
- ◆ Puhdista moottorin kotelo säännöllisesti kostealla rätillä. Älä koskaan käytä puhdistamiseen liuotainaineita tai syövyttäviä puhdistusaineita.
- ◆ Avaa istukka säännöllisesti ja naputtele pöly pois sen sisältä.

Ympäristönsuojelu



Toimita tämä laite erilliskeräykseen. Tällä symbolilla merkityjä tuotteita ja akkuja ei saa hävittää tavallisen kotitalousjätteen mukana.

Tuotteissa ja akuissa on materiaaleja, jotka voidaan ottaa talteen tai kierrättää uudelleen käyttöä varten. Kierrätä sähkölaitteet ja akut paikallisten määräyksien mukaan. Lisätietoa on saatavilla osoitteessa www.2helpU.com

Tekniset tiedot

		BDCR18 (H1)
Syöttöjännite	V _{DC}	18
Kuormittamaton nopeus	Min ⁻¹	0-3000
Iskunpituus	mm	22
Paino	kg	1.5

Laturi		905902**/ N4940**	905998**/ 906349**
Tulojännite	V_{AC}	100-240	220-240
Lähtöjännite	V_{DC}	8-20	8-20
Virta	mA	400	1000
Keskim. latausaika	Tuntia	3-11	1.5-5

Akku (jossa toimitetaan)		BL2018*	BL1518*	BL2518*	BL4018
Voltage	V_{DC}	18	18	18	18
Capacity	Ah	2.0	1.5	2.5	4.0
Tyyppi		Li-Ion	Li-Ion	Li-Ion	Li-Ion

Äänenpainetaso standardin EN 60745 mukaisesti:

 Äänenpaine (L_{pA}) 79.5 dB(A), epävarmuus (K) 3 dB(A)

 Äänitehotaso (L_{WA}) 90.5 dB(A), epävarmuus (K) 3 dB(A)

Tärinän kokonaisarvot (vektorisumma) standardin EN 60745 mukaisesti:

 Leikattaessa puulevyjä ($a_{n,B}$) 17.9 m/s², epävarmuus (K) 1.5 m/s²

 Leikatessa hirsii ($a_{n,WB}$) 19.7 m/s², epätarkkuus (K) 1.5 m/s²
EY-vaatimustenmukaisuusvakuutus

KONEDIREktiivi



BDCR18 - Pistosaha

Black & Decker ilmoittaa, että tuotteet, jotka on kuvattu kohdassa Tekniset tiedot, täyttävät seuraavien direktiivien vaatimukset:

EN60745-1:2009+A11:2010, EN60745-2-11:2010

Nämä tuotteet täyttävät myös direktiivien

2006/42/EY, 2014/30/EU ja 2011/65/EU vaatimukset.

Lisätietoja saa ottamalla yhteyden Black & Deckeriin seuraavassa osoitteessa. Tiedot ovat myös käyttöohjeen takakannessa.

Allekirjoittanut vastaa teknisten tietojen kokoamisesta ja antaa tämän ilmoituksen Black & Deckerin puolesta.

Ray Laverick

Teknisen osaston johtaja

Black & Decker Europe, 210 Bath Road, Slough,

Berkshire, SL1 3YD

Iso-Britannia

26/10/2018

Takuu

Black & Decker on vakuuttanut tuotteidensa korkeasta laadusta ja tarjoaa kuluttajille 24 kuukauden takuun, joka astuu voimaan ostopäivänä. Takuu on lisäys kuluttajan lailisiin oikeuksiin eikä vaikuta niihin. Tämä takuu on voimassa kaikissa EU- ja ETA-maissa.

Edellytyksenä takuun saamiselle on, että vaade täyttää Black & Deckerin ehdot ja että ostaja toimittaa ostosoitteen jälleenmyyjälle tai valtuutetulle huoltoliikkeelle. Black & Deckerin kahden vuoden takuun ehdot ja lähimmän valtuutetun korjauspalvelun yhteystiedot ovat saatavilla osoitteessa www.2helpU.com tai ottamalla yhteyttä paikalliseen Black & Deckerin toimipisteeseen tässä ohjekirjassa ilmoitettuihin osoitteisiin.

Käy verkkosivuillamme osoitteessa www.blackanddecker.fi ja rekisteröi uusi Black & Decker -tuotteesi saadaksesi tietoa uusista tuotteista ja erikoistarjouksista.

Προβλεπόμενη χρήση

Η παλινδρομική σέγα της BLACK+DECKER, BDCR18, έχει σχεδιαστεί για το πρίονισμα ξύλου, πλαστικών και μετάλλου. Αυτή η μηχανή προορίζεται μόνο για ερασιτεχνική χρήση.

Οδηγίες ασφαλείας

Γενικές προειδοποιήσεις ασφαλείας για ηλεκτρικά εργαλεία



Προειδοποίηση! Διαβάστε όλες τις προειδοποιήσεις ασφαλείας και όλες τις οδηγίες. Η μη τήρηση των παρακάτω προειδοποιήσεων και οδηγιών μπορεί να προκαλέσει ηλεκτροπληξία, πυρκαγιά και/ή σοβαρές σωματικές βλάβες.

Φυλάξτε όλες τις προειδοποιήσεις και τις οδηγίες για μελλοντική αναφορά. Ο όρος "ηλεκτρικό εργαλείο" που χρησιμοποιείται σε όλες τις παρακάτω προειδοποιήσεις, αναφέρεται είτε σε εργαλείο που λειτουργεί με ρεύμα δικτύου (ρεύματος - με καλώδιο) είτε σε εργαλείο που λειτουργεί με μπαταρία (μπαταρίας - χωρίς καλώδιο).

1. Ασφάλεια χώρου εργασίας

- α. Διατηρείτε το χώρο εργασίας καθαρό και καλά φωτισμένο.** Οι ατακτοποιητοί ή σκοτεινοί χώροι γίνονται αιτίες ατυχημάτων.
- β. Μη χρησιμοποιείτε ηλεκτρικά εργαλεία σε περιβάλλον όπου υπάρχει κίνδυνος έκρηξης, όπως με παρουσία εύφλεκτων υγρών, αερίων ή σκόνης.** Τα ηλεκτρικά εργαλεία παράγουν σπινθήρες που μπορεί να προκαλέσουν ανάφλεξη της σκόνης ή των αναθυμιάσεων.
- γ. Όταν χρησιμοποιείτε ηλεκτρικό εργαλείο, κρατάτε μακριά τα παιδιά και άλλα άτομα.** Παράγοντες που αποσπούν την προσοχή μπορεί να σας κάνουν να χάσετε τον έλεγχο.

2. Ασφαλής χρήση ηλεκτρικού ρεύματος

- α. Το φως του καλωδίου του ηλεκτρικού εργαλείου πρέπει να ταιριάζει στην αντίστοιχη πρίζα. Σε καμία περίπτωση μην τροποποιήσετε το φως, με κανένα τρόπο. Μη χρησιμοποιείτε φως προσαρμογής με γειωμένα ηλεκτρικά εργαλεία.** Τα φως που δεν έχουν υποστεί τροποποιήσεις και οι κατάλληλες πρίζες μειώνουν τον κίνδυνο ηλεκτροπληξίας.
- β. Αποφεύγετε την επαφή του σώματός σας με γειωμένες επιφάνειες, όπως σωλήνες, καλοριφέρ, κουζίνες και ψυγεία.** Υπάρχει αυξημένος κίνδυνος ηλεκτροπληξίας αν το σώμα σας είναι γειωμένο.
- γ. Μην εκθέτετε τα ηλεκτρικά εργαλεία σε βροχή ή υγρασία.** Η διείσδυση νερού σε ένα ηλεκτρικό εργαλείο αυξάνει τον κίνδυνο ηλεκτροπληξίας.

- δ. Μην κακομεταχειρίζεστε το καλώδιο. Μη χρησιμοποιείτε ποτέ το καλώδιο για να μεταφέρετε τη συσκευή, να την τραβήξετε ή να την αποσυνδέσετε από την πρίζα. Κρατάτε το καλώδιο μακριά από θερμότητα, λάδια, αιχμηρά άκρα ή κινούμενα μέρη.** Τα καλώδια που έχουν υποστεί ζημιά ή είναι μπερδεμένα αυξάνουν τον κίνδυνο ηλεκτροπληξίας.
- ε. Όταν χρησιμοποιείτε ηλεκτρικό εργαλείο σε εξωτερικούς χώρους, να χρησιμοποιείτε πάντοτε καλώδιο επέκτασης κατάλληλο για χρήση σε εξωτερικούς χώρους. Η χρήση καλωδίου κατάλληλο για εργασία σε εξωτερικούς χώρους μειώνει τον κίνδυνο ηλεκτροπληξίας.**
- στ. Εάν είναι αναπόφευκτη η χρήση ενός ηλεκτρικού εργαλείου σε συνθήκες υγρασίας, χρησιμοποιήστε μια διάταξη προστασίας από ρεύμα διαρροής (RCD). Η χρήση μιας διάταξης RCD μειώνει τον κίνδυνο ηλεκτροπληξίας.**

3. Προσωπική ασφάλεια

- α. Όταν χρησιμοποιείτε ηλεκτρικό εργαλείο, να είστε σε εγρήγορση, να συγκεντρώνετε στην εργασία που κάνετε και να επιστρατεύετε την κοινή λογική. Μη χρησιμοποιείτε ηλεκτρικό εργαλείο όταν είστε κουρασμένος/ή ή υπό την επήρεια ναρκωτικών, οινοπνεύματος ή φαρμακευτικής αγωγής.** Μια στιγμή απροσεξίας κατά τη χρήση ηλεκτρικών εργαλείων μπορεί να προκαλέσει σοβαρό τραυματισμό.
- β. Να χρησιμοποιείτε ατομικό εξοπλισμό προστασίας. Πάντα φοράτε προστασία ματιών.** Ο εξοπλισμός προστασίας, όπως μάσκα κατά της σκόνης, αντιολισθητικά παπούτσια ασφαλείας, κράνος ή προστασία ακοής, όταν χρησιμοποιείται για τις κατάλληλες συνθήκες, θα μειώσει τους τραυματισμούς και τις σωματικές βλάβες.
- γ. Αποτρέψτε την ακούσια ενεργοποίηση. Βεβαιωθείτε ότι ο διακόπτης βρίσκεται στη θέση απενεργοποίησης, πριν συνδέσετε το εργαλείο στην πηγή ρεύματος και/ή τοποθετήσετε το πακέτο μπαταρίας, καθώς και πριν πάρετε στα χέρια σας ή μεταφέρετε το εργαλείο.** Η μεταφορά ηλεκτρικών εργαλείων με το δάχτυλο πάνω στο διακόπτη ή η σύνδεση στο ρεύμα ηλεκτρικών εργαλείων με το διακόπτη στη θέση ενεργοποίησης, ενέχει κινδύνους ατυχημάτων.
- δ. Πριν θέσετε το ηλεκτρικό εργαλείο σε λειτουργία, αφαιρέστε τυχόν εργαλεία ή κλειδιά ρύθμισης.** Εάν αφήσετε ένα εργαλείο ή κλειδί πάνω σε κάποιο περιστρεφόμενο εξάρτημα του ηλεκτρικού εργαλείου, μπορεί να προκληθούν τραυματισμοί.
- ε. Μην τεντώνετε. Διατηρείτε πάντα σταθερή στήριξη στα πόδια σας και καλή ισορροπία.** Έτσι μπορείτε να έχετε καλύτερο έλεγχο του ηλεκτρικού εργαλείου σε μη αναμενόμενες καταστάσεις.

- στ. Φοράτε κατάλληλη ενδυμασία εργασίας. Μη φοράτε φαρδιά ρούχα ούτε κοσμήματα. Κρατάτε τα μαλλιά, τα ρούχα και τα γάντια σας μακριά από κινούμενα μέρη.** Τα χαλαρά ρούχα, τα κοσμήματα και τα μακριά μαλλιά μπορούν να πιαστούν σε κινούμενα μέρη.
- ζ. Αν παρέχονται διατάξεις για τη σύνδεση συστημάτων απομάκρυνσης και συλλογής της σκόνης, βεβαιωθείτε ότι αυτές είναι συνδεδεμένες και χρησιμοποιούνται κατάλληλα.** Η χρήση διατάξεων συλλογής της σκόνης μπορεί να μειώσει τους κινδύνους που προέρχονται από τη σκόνη.
- η. Μην αφήνετε την εξοικείωση που έχετε αποκτήσει από τη συχνή χρήση εργαλείων να σας επιτρέψει να εφησυχάστε ώστε να αγνοείτε τις αρχές ασφαλούς χρήσης των εργαλείων.** Μια απρόσεκτη ενέργεια μπορεί να προκαλέσει βαρύ τραυματισμό μέσα σε κλάσματα του δευτερολέπτου.
- 4. Χρήση και φροντίδα ηλεκτρικών εργαλείων**
- α. Μην υπερφορτώνετε το ηλεκτρικό εργαλείο. Χρησιμοποιείτε το σωστό ηλεκτρικό εργαλείο για την εφαρμογή σας.** Το σωστό ηλεκτρικό εργαλείο θα εκτελέσει την εργασία καλύτερα και ασφαλέστερα, με την ένταση χρήσης για την οποία σχεδιάστηκε.
- β. Μη χρησιμοποιήσετε ηλεκτρικό εργαλείο αν ο διακόπτης του δεν μπορεί να το ενεργοποιεί και απενεργοποιεί.** Ένα ηλεκτρικό εργαλείο του οποίου η λειτουργία δεν μπορεί να ελεγχθεί με το διακόπτη είναι επικίνδυνο και πρέπει να επισκευαστεί.
- γ. Αποσυνδέστε το φως από την πηγή ρεύματος και/ή το πακέτο μπαταρίας από το ηλεκτρικό εργαλείο, πριν διεξάγετε οποιαδήποτε ρύθμιση, αλλαγή εξαρτήματος ή όταν πρόκειται να αποθηκεύσετε το ηλεκτρικό εργαλείο.** Έτοιμα προληπτικά μέτρα ασφαλείας μειώνουν το κίνδυνο αθέλητης εκκίνησης του ηλεκτρικού εργαλείου.
- δ. Να φυλάσσετε μακριά από παιδιά τα ηλεκτρικά εργαλεία που δεν χρησιμοποιείτε. Μην αφήνετε να χρησιμοποιήσουν ηλεκτρικό εργαλείο άτομα που δεν είναι εξοικειωμένα με αυτό ή άτομα που δεν έχουν διαβάσει αυτές τις οδηγίες χρήσης.** Τα ηλεκτρικά εργαλεία είναι επικίνδυνα στα χέρια μη εκπαιδευμένων χρηστών.
- ε. Να συντηρείτε τα ηλεκτρικά εργαλεία. Ελέγχετε για προβλήματα ευθυγράμμισης ή για μάγκωμα των κινούμενων εξαρτημάτων, θραύση εξαρτημάτων, καθώς και για οποιοδήποτε άλλο πρόβλημα μπορεί να επηρεάσει τη λειτουργία των ηλεκτρικών εργαλείων. Αν το ηλεκτρικό εργαλείο έχει υποστεί ζημιά, φροντίστε να επισκευαστεί πριν το χρησιμοποιήσετε. Η ανεπαρκής συντήρηση των ηλεκτρικών εργαλείων αποτελεί αιτία πολλών ατυχημάτων.**
- στ. Διατηρείτε τα κοπτικά εργαλεία κοφτερά και καθαρά.** Τα κοπτικά εργαλεία με κοφτερές κοπτικές αιχμές που συντηρούνται σωστά έχουν λιγότερες πιθανότητες να μαγκώσουν και ελέγχονται ευκολότερα.
- ζ. Να χρησιμοποιείτε το ηλεκτρικό εργαλείο, τα αξεσουάρ και τις μύτες των εργαλείων κλπ. σύμφωνα με τις παρούσες οδηγίες, λαμβάνοντας υπόψη σας τις συνθήκες εργασίας και την εργασία που θέλετε να εκτελέσετε.** Η χρήση του ηλεκτρικού εργαλείου για εργασίες διαφορετικές από τις προβλεπόμενες θα μπορούσε να οδηγήσει σε επικίνδυνη κατάσταση.
- η. Διατηρείτε τις λαβές και τις επιφάνειες κρατήματος στεγνές, καθαρές και απαλλαγμένες από λάδι και γράσο.** Οι ολισθηρές λαβές και επιφάνειες κρατήματος δεν επιτρέπουν τον ασφαλή χειρισμό και έλεγχο του εργαλείου σε μη αναμενόμενες καταστάσεις.
- 5. Χρήση και φροντίδα εργαλείων μπαταρίας**
- α. Να επαναφορτίζετε μόνο με το φορτιστή που καθορίζει ο κατασκευαστής.** Ένας φορτιστής που είναι κατάλληλος για ένα τύπο πακέτου μπαταρίας μπορεί να δημιουργήσει κίνδυνο πυρκαγιάς όταν χρησιμοποιείται με άλλο πακέτο μπαταρίας.
- β. Χρησιμοποιείτε τα ηλεκτρικά εργαλεία αποκλειστικά και μόνο με τα ειδικά καθοριζόμενα πακέτα μπαταριών.** Η χρήση άλλων πακέτων μπαταριών μπορεί να προκαλέσει κίνδυνο τραυματισμού και πυρκαγιάς.
- γ. Όταν το πακέτο μπαταρίας δεν χρησιμοποιείται, κρατάτε το μακριά από άλλα μεταλλικά αντικείμενα, όπως συνδετήρες, κέρματα, κλειδιά, καρφιά, βίδες ή άλλα μικρά μεταλλικά αντικείμενα που μπορούν να βραχυκυκλώσουν τους δύο ακροδέκτες του. Αν βραχυκυκλώσουν οι ακροδέκτες της μπαταρίας, μπορεί να προκληθούν εγκαύματα ή πυρκαγιά.**
- δ. Αν οι μπαταρίες υποστούν κακομεταχείριση, μπορεί να διαρρέυσει υγρό. Αποφύγετε την επαφή. Αν κατά λάθος έρθετε σε επαφή, ξεπλύνετε με νερό. Σε περίπτωση που το υγρό έλθει σε επαφή με τα μάτια σας, ζητήστε επιπλέον και ιατρική βοήθεια.** Το υγρό που εξέρχεται από την μπαταρία μπορεί να προκαλέσει ερεθισμούς ή εγκαύματα.
- ε. Μη χρησιμοποιήσετε πακέτο μπαταρίας ή εργαλείο που έχει υποστεί ζημιά ή τροποποίηση.** Οι μπαταρίες που έχουν υποστεί ζημιά ή τροποποίηση μπορεί να έχουν απρόβλεπτη συμπεριφορά, με αποτέλεσμα φωτιά, έκρηξη ή κίνδυνο τραυματισμού.
- στ. Μην εκθέσετε ένα πακέτο μπαταρίας ή εργαλείο σε φωτιά ή υπερβολική θερμοκρασία.** Η έκθεση σε φωτιά ή σε θερμοκρασία πάνω από 130 °C μπορεί να προκαλέσει έκρηξη.
- ζ. Τηρείτε όλες τις οδηγίες φόρτισης και μη φορτίζετε το πακέτο μπαταρίας ή το εργαλείο εκτός των ορίων θερμοκρασίας που ορίζονται στις προδιαγραφές. Η**

ακατάλληλη φόρτιση ή η φόρτιση σε θερμοκρασίες εκτός των προβλεπόμενων ορίων μπορεί να προξενήσει ζημιά στην μπαταρία και να αυξήσει τον κίνδυνο φωτιάς.

6. Σέρβις

- α. Το σέρβις του ηλεκτρικού σας εργαλείου πρέπει να αναλαμβάνει έμπειρος τεχνικός που θα χρησιμοποιεί μόνο γνήσια ανταλλακτικά. Έτσι θα εξασφαλίσετε τη διατήρηση της ασφάλειας του ηλεκτρικού εργαλείου.
- β. Ποτέ μην κάνετε σέρβις σε πακέτα μπαταριών που έχουν υποστεί ζημιά. Το σέρβις των πακέτων μπαταριών πρέπει να γίνεται μόνο από τον κατασκευαστή ή από εξουσιοδοτημένους παρόχους σέρβις.

Συμπληρωματικές προειδοποιήσεις ασφαλείας για τα ηλεκτρικά εργαλεία



Προειδοποίηση! Συμπληρωματικές προειδοποιήσεις ασφαλείας για τα πριόνια χειρός

- ◆ Κρατάτε το ηλεκτρικό εργαλείο από τις μονωμένες επιφάνειες συγκράτησης όταν εκτελείτε κάποια εργασία κατά την οποία το εξάρτημα κοπής μπορεί να έρθει σε επαφή με κρυμμένα καλώδια. Η επαφή του αξεσουάρ κοπής με ηλεκτροφόρο καλώδιο μπορεί να καταστήσει ηλεκτροφόρο και τα εκτεθειμένα μεταλλικά τμήματα του ηλεκτρικού εργαλείου, προκαλώντας ηλεκτροπληξία στο χειριστή.
- ◆ Κρατάτε το ηλεκτρικό εργαλείο από τις μονωμένες επιφάνειες συγκράτησης, όταν εκτελείτε κάποια εργασία κατά την οποία ο συνδετήρας μπορεί να έρθει σε επαφή με κρυμμένα καλώδια. Οι συνδετήρες που έρχονται σε επαφή με καλώδια υπό τάση μπορεί να καταστήσει και τα εκτεθειμένα μεταλλικά μέρη του ηλεκτρικού εργαλείου ηλεκτροφόρα και να προκαλέσει ηλεκτροπληξία στο χειριστή του.
- ◆ Χρησιμοποιείτε σφινγκτήρες ή άλλα πρακτικά μέσα για να ασφαρίζετε και να στηρίζετε το προς επεξεργασία αντικείμενο σε μια σταθερή βάση. Η συγκράτηση του κατεργαζόμενου τεμαχίου με το χέρι ή επάνω στο σώμα σας το καθιστά ασταθές και ενδέχεται να οδηγήσει σε απώλεια ελέγχου.
- ◆ Κρατήστε τα χέρια σας μακριά από την επιφάνεια κοπής. Ποτέ μην πλησιάζετε τα χέρια σας κάτω από το υπό επεξεργασία αντικείμενο για οποιονδήποτε λόγο. Μην πλησιάζετε τα δάχτυλα ή τον αντίχειρά σας κοντά στην παλλόμενη λάμα και το σφινγκτήρα της λάμας. Μην σταθεροποιείτε το πριόνι κρατώντας το από το πόδιλο.
- ◆ Διατηρείτε τις λάμες κοφτερές. Οι στομωμένες ή κατεστραμμένες λάμες μπορεί να προκαλέσουν παρέκκλιση του πριονιού ή διακοπή της λειτουργίας του υπό πίεση. Χρησιμοποιείτε πάντα τον κατάλληλο τύπο

πριονόλαμα ανάλογο το υλικό του κατεργαζόμενου τεμαχίου και τον τύπο κοπής.

- ◆ Όταν κόβετε σωλήνες ή αγωγούς βεβαιωθείτε ότι δεν περιέχουν νερό, ηλεκτρικές καλωδιώσεις, κλπ.
- ◆ Μην αγγίζετε το προς επεξεργασία αντικείμενο ή τη λάμα αμέσως μετά τη χρήση του εργαλείου. Μπορεί να είναι πολύ ζεστά.
- ◆ Προσέχετε τους κρυφούς κινδύνους και, πριν από την κοπή τοίχων, δαπέδων ή ταβανιών, ελέγχετε για τυχόν διερχόμενα καλώδια ή σωληνες.
- ◆ Η λάμα συνεχίζει να κινείται και μετά την απασφάλιση του διακόπτη. Απενεργοποιείτε πάντα το εργαλείο και περιμένετε να σταματήσει εντελώς η πριονόλαμα προτού ακουμπήσετε κάτω το εργαλείο.

Προειδοποίηση! Η τιμή εκπομπής δόνησης κατά την πραγματική χρήση του ηλεκτρικού εργαλείου μπορεί να διαφέρει από τη δηλωμένη τιμή, ανάλογα με το τρόπο που χρησιμοποιείται το εργαλείο. Το επίπεδο δόνησης μπορεί να αυξηθεί πάνω από το επίπεδο που έχει δηλωθεί.

- ◆ Η ενδεξιγμένη χρήση περιγράφεται στο παρόν εγχειρίδιο οδηγιών. Η χρήση οποιουδήποτε αξεσουάρ ή εξαρτήματος ή η εκτέλεση με από το εργαλείο οποιασδήποτε άλλης εργασίας πέραν από αυτές που συνιστώνται στο παρόν εγχειρίδιο οδηγιών ενδέχεται να εγκυμονεί κίνδυνο τραυματισμού ή/και υλικών ζημιών.

Πρόσθετες προειδοποιήσεις ασφαλείας για ηλεκτρικά εργαλεία



Προειδοποίηση! Πρόσθετες προειδοποιήσεις ασφαλείας για σέγες και παλινδρομικά πριόνια

- ◆ Κρατάτε το ηλεκτρικό εργαλείο από μονωμένες επιφάνειες λαβής όταν πραγματοποιείτε μια εργασία όπου το κοπτικό εργαλείο μπορεί να έρθει σε επαφή με κρυφά καλώδια. Αν αξεσουάρ κοπής έρθει σε επαφή με καλώδιο υπό τάση, μπορεί να θεθούν υπό ηλεκτρική τάση και τα εκτεθειμένα μεταλλικά μέρη του ηλεκτρικού εργαλείου και να προκληθεί ηλεκτροπληξία στο χειριστή.
- ◆ Χρησιμοποιείτε σφινγκτήρες ή άλλα πρακτικά μέσα για να στερεώνετε και να υποστηρίζετε το τεμάχιο εργασίας σε ένα σταθερό υπόβαθρο. Αν κρατάτε το τεμάχιο εργασίας με το χέρι σας ή κόντρα στο σώμα σας, αυτό δεν είναι σταθερό και μπορεί να προκληθεί απώλεια ελέγχου.
- ◆ Μην πλησιάζετε τα χέρια σας στην περιοχή κοπής. Ποτέ μην περνάτε τα χέρια σας κάτω από το τεμάχιο εργασίας, για οποιονδήποτε λόγο. Μην πλησιάζετε τα δάχτυλα ή τον αντίχειρά σας κοντά στην παλινδρομικά κινούμενη λάμα και το σφινγκτήρα της λάμας. Μη σταθεροποιείτε το πριόνι κρατώντας το από το πόδιλο.
- ◆ Διατηρείτε τις λάμες αιχμηρές. Οι λάμες που είναι στομωμένες ή έχουν υποστεί ζημιά μπορεί να

προκαλέσουν πλάγια εκτροπή του πριονιού ή ακινητοποίηση του λόγω πίεσης. Πάντα χρησιμοποιείτε τον κατάλληλο τύπο πριονόλαμας για το τεμάχιο εργασίας και τον τύπο της κοπής.

- ◆ Όταν κόβετε σωλήνα ή προστατευτικό αγωγό προσέχετε να μην περιέχει νερό, ηλεκτρικά καλώδια κλπ.
- ◆ Μην αγγίζετε το τεμάχιο εργασίας ή τη λάμα αμέσως μετά τη χρήση του εργαλείου. Μπορούν να αποκτήσουν υψηλή θερμοκρασία.
- ◆ Προσέχετε για κρυφούς κινδύνους, πριν κόψετε σε τοίχους, δάπεδα ή οροφές, ελέγχετε για τη θέση καλωδιώσεων και σωλήνων.
- ◆ Η λάμα συνεχίζει να κινείται και μετά την απελευθέρωση του διακόπτη. Απενεργοποιείτε πάντα το εργαλείο και περιμένετε να σταματήσει εντελώς η πριονόλαμα, πριν αφήσετε κάτω το εργαλείο.

Προειδοποίηση! Η επαφή ή η εισπνοή της σκόνης που δημιουργούν οι εφαρμογές κοπής μπορεί να επιφέρουν κίνδυνο για την υγεία του χειριστή και των ατόμων που ενδοχόμενως παρευρίσκονται. Φορέστε μάσκα σκόνης ειδικά σχεδιασμένη για προστασία από τη σκόνη και τις αναθυμιάσεις και βεβαιωθείτε ότι τα άτομα που βρίσκονται ή εισέρχονται στο χώρο εργασίας είναι επίσης προστατευμένα.

- ◆ Η προβλεπόμενη χρήση περιγράφεται στο παρόν εγχειρίδιο οδηγιών.
- ◆ Η χρήση οποιουδήποτε αξεσουάρ ή προσαρτήματος ή η εκτέλεση οποιασδήποτε εργασίας με αυτό το εργαλείο διαφορετικής από αυτές που συνιστώνται στο παρόν εγχειρίδιο οδηγιών ενδέχεται να εγκυμονεί κίνδυνο σωματικής βλάβης και/ή υλικών ζημιών.

Ασφάλεια τρίτων

Σε καμία περίπτωση μην επιτρέψετε σε παιδιά, σε άτομα με μειωμένες σωματικές, αισθητηριακές ή διανοητικές ικανότητες ή με έλλειψη εμπειρίας και γνώσης ή σε άτομα μη εξοικειωμένα με τις παρούσες οδηγίες, να χρησιμοποιήσουν το μηχάνημα, τοπικοί κανονισμοί μπορεί να θέτουν όρια στην ηλικία του χειριστή.

Υπολειπόμενοι κίνδυνοι

Κατά τη χρήση του εργαλείου μπορεί να δημιουργηθούν πρόσθετοι υπολειπόμενοι κίνδυνοι, οι οποίοι ενδέχεται να μη συμπεριλαμβάνονται στις προειδοποιήσεις ασφαλείας που εσωκλείονται. Αυτοί οι κίνδυνοι μπορεί να προκληθούν από κακή χρήση, παρατεταμένη χρήση κλπ. Παρά την εφαρμογή των σχετικών κανονισμών ασφαλείας και τη χρήση διατάξεων ασφαλείας, ορισμένοι υπολειπόμενοι κίνδυνοι δεν είναι δυνατό να αποφευχθούν. Αυτοί περιλαμβάνουν:

- ◆ Τραυματισμούς από την επαφή με οποιαδήποτε περιστρεφόμενα/κινούμενα μέρη.
- ◆ Τραυματισμούς από αλλαγή οποιωνδήποτε εξαρτημάτων, λεπίδων ή αξεσουάρ.

- ◆ Τραυματισμούς από παρατεταμένη χρήση του εργαλείου. Όταν χρησιμοποιείτε οποιοδήποτε εργαλείο για παρατεταμένα χρονικά διαστήματα, μην παραλείπετε με κανένα τρόπο να κάνετε τακτικά διαλείμματα.
- ◆ Βλάβη της ακοής.
- ◆ Κινδύνους για την υγεία λόγω εισπνοής σκόνης που αναπτύσσεται κατά τη χρήση του εργαλείου (παράδειγμα:- εργασία με ξύλο, ειδικά βελανιδιά, οξιά και MDF.)

Κραδασμοί

Η δηλωμένη τιμή εκπομπής κραδασμών που αναφέρεται στα τεχνικά χαρακτηριστικά και τη δήλωση συμμόρφωσης έχει μετρηθεί σύμφωνα με τυποποιημένη μέθοδο δοκιμής που προβλέπεται από το πρότυπο EN60745 και μπορεί να χρησιμοποιηθεί για τη σύγκριση ενός εργαλείου με ένα άλλο. Η δηλωμένη τιμή εκπομπής κραδασμών μπορεί επίσης να χρησιμοποιηθεί σε έναν προκαταρκτικό προσδιορισμό της έκθεσης σε κραδασμούς.

Προειδοποίηση! Στην πράξη, η τιμή εκπομπής κραδασμών κατά την χρήση του ηλεκτρικού εργαλείου μπορεί να διαφέρει από την τιμή που δηλώθηκε, ανάλογα με τον τρόπο που χρησιμοποιείται το εργαλείο. Το επίπεδο κραδασμών μπορεί να αυξηθεί πάνω από το επίπεδο που έχει δηλωθεί. Κατά τον προσδιορισμό της έκθεσης σε κραδασμούς για τον καθορισμό των απαιτούμενων μέτρων ασφαλείας σύμφωνα με την οδηγία 2002/44/ΕΚ για την προστασία προσώπων που χρησιμοποιούν συχνά ηλεκτρικά εργαλεία στην εργασία τους, μια προσεγγιστική εκτίμηση της έκθεσης σε κραδασμούς πρέπει να λαμβάνει υπόψη τις πραγματικές συνθήκες χρήσης και τον τρόπο χρήσης του εργαλείου, συμπεριλαμβανομένων και όλων των επιμέρους τμημάτων του κύκλου εργασίας, όπως τα χρονικά διαστήματα που το εργαλείο ήταν εκτός λειτουργίας και τα διαστήματα λειτουργίας χωρίς φορτίο, επιπλέον του χρόνου πίεσης της σκανδάλης.

Ετικέτες στο εργαλείο

Το εργαλείο φέρει τα παρακάτω προειδοποιητικά σύμβολα μαζί με τον κωδικό ημερομηνίας:



Προειδοποίηση! Για να μειωθεί ο κίνδυνος τραυματισμού, ο χρήστης πρέπει να διαβάσει το εγχειρίδιο οδηγιών.

Πρόσθετες οδηγίες ασφαλείας για μπαταρίες και φορτιστές (όπου παρέχονται)

Μπαταρίες

- ◆ Μην επιχειρήσετε ποτέ να ανοίξετε τις μπαταρίες για οποιοδήποτε λόγο.
- ◆ Μην εκθέτετε την μπαταρία σε νερό.
- ◆ Μην φυλάσσετε την μπαταρία σε χώρους όπου η θερμοκρασία μπορεί να υπερβεί τους 40 °C.

- ◆ Η φόρτιση πρέπει να γίνεται μόνο σε θερμοκρασίες περιβάλλοντος μεταξύ 10 °C και 40 °C.
- ◆ Η φόρτιση πρέπει να γίνεται μόνο με τους φορτιστές που παρέχονται μαζί με το εργαλείο.
- ◆ Όταν απορρίπτετε τις μπαταρίες, ακολουθήστε τις οδηγίες που δίνονται στην ενότητα "Προστασία του περιβάλλοντος".



Μην επιχειρήσετε να φορτίσετε κατεστραμμένες μπαταρίες.

Φορτιστές

- ◆ Ο φορτιστής BLACK+DECKER πρέπει να χρησιμοποιείται αποκλειστικά και μόνο για τη φόρτιση της μπαταρίας του εργαλείου το οποίο συνοδεύει. Άλλες μπαταρίες μπορεί να εκραγούν, προκαλώντας τραυματισμό και ζημιές.
- ◆ Μην επιχειρείτε ποτέ να φορτίσετε μη επαναφορτιζόμενες μπαταρίες.
- ◆ Εάν κάποιο καλώδιο φθαρεί, αντικαταστήστε το αμέσως.
- ◆ Μην εκθέτετε το φορτιστή σε νερό.
- ◆ Μην ανοίγετε το φορτιστή.
- ◆ Μην επεμβαίνετε στο φορτιστή.



Ο φορτιστής προορίζεται για χρήση σε εσωτερικούς χώρους μόνο.



Διαβάστε αυτό το εγχειρίδιο οδηγιών πριν από τη χρήση.

Ασφαλής χρήση ηλεκτρικού ρεύματος



Ο φορτιστής σας φέρει διπλή μόνωση, επομένως δεν απαιτείται σύρμα γείωσης. Ελέγχετε πάντα ότι η τάση τροφοδοσίας αντιστοιχεί σε αυτήν που αναγράφεται στην πινακίδα τεχνικών χαρακτηριστικών. Ποτέ μην επιχειρείτε να αντικαταστήσετε τη μονάδα φορτιστή με έναν κανονικό ρευματολήπτη.

- ◆ Αν το καλώδιο τροφοδοσίας είναι κατεστραμμένο, πρέπει να αντικατασταθεί από τον κατασκευαστή ή εξουσιοδοτημένο κέντρο τεχνικής υποστήριξης BLACK+DECKER για την αποφυγή κινδύνου.

Λειτουργίες

Αυτό το εργαλείο διαθέτει μερικά από ή όλα τα παρακάτω χαρακτηριστικά.

1. Διακόπτης On/Off
2. Κουμπί απασφάλισης
3. Πέδιλο
4. Μοχλός απελευθέρωσης σφινγκτήρα λάμας
5. Πριονόλαμα
6. Μπαταρία (όπου παρέχονται)

7. Κουμπί απελευθέρωσης μπαταρίας
8. Κύρια χειρολαβή
9. Δευτερεύουσα λαβή συγκράτησης

Εικόνα D (όπου παρέχονται)

10. Φορτιστής

Συναρμολόγηση

Προειδοποίηση! Πριν από τη συναρμολόγηση, αφαιρέστε τη μπαταρία από το εργαλείο και βεβαιωθείτε ότι η πριονόλαμα έχει σταματήσει να κινείται. Οι πριονόλαμες μετά από χρήση μπορεί να είναι ζεστές.

Τοποθέτηση της πριονόλαμας (εικ. Α)

- ◆ Κρατάτε το εργαλείο μακριά από το σώμα σας.
- ◆ Ανοίξτε το μοχλό απελευθέρωσης του σφινγκτήρα της λάμας (4) μέχρι την πλήρως ανοικτή θέση του.
- ◆ Εισάγετε το στέλεχος της λάμας από εμπρός.
- ◆ Κλείστε το μοχλό απελευθέρωσης σφινγκτήρα της λάμας (4). Ελέγξτε για να βεβαιωθείτε ότι η λάμα (5) έχει συσφιχθεί με ασφάλεια.

Σημείωση: Η πριονόλαμα μπορεί να τοποθετηθεί με τα δόντια να βλέπουν προς τα επάνω για να διευκολύνεται το κόψιμο κοντά σε επιφάνεια (εικ. G).

Αφαίρεση λάμας

Προειδοποίηση! Μην αγγίζετε τη λάμα αμέσως μετά τη χρήση. Οι πριονόλαμες μετά από χρήση μπορεί να είναι ζεστές.

- ◆ Ανοίξτε το μοχλό απελευθέρωσης του σφινγκτήρα της λάμας (4) μέχρι την πλήρως ανοικτή θέση του.
- ◆ Αφαιρέστε τη λάμα.

Κουμπί απασφάλισης

Το εργαλείο διαθέτει λειτουργία ασφάλισης για την αποτροπή ακούσιας ενεργοποίησης του εργαλείου.

- ◆ Για να ενεργοποιήσετε το εργαλείο, πιέστε το κουμπί απασφάλισης (2) και στη συνέχεια πιέστε το διακόπτη on/off (1).
- ◆ Η απελευθέρωση του διακόπτη on/off (1) απενεργοποιεί το εργαλείο.

Τοποθέτηση και αφαίρεση της μπαταρίας (εικ. Β & C)

- ◆ Για να τοποθετήσετε την μπαταρία (6), ευθυγραμμίστε την με την υποδοχή στο εργαλείο. Ολισθήστε την μπαταρία μέσα στην υποδοχή και στρώξτε την μέχρι να ασφαλίσει στη θέση της (εικ. Β).
- ◆ Για να αφαιρέσετε την μπαταρία (6), πατήστε το κουμπί απελευθέρωσης μπαταρίας (7) και ταυτόχρονα τραβήξτε την μπαταρία έξω από την υποδοχή στο εργαλείο (εικ. C).

Χρήση

Προειδοποίηση! Αφήστε το εργαλείο να λειτουργήσει με το δικό του ρυθμό. Μην υπερφορτώνετε.

Φόρτιση της μπαταρίας (Εικ. D)

Η μπαταρία πρέπει να φορτίζεται πριν από την πρώτη χρήση και όποτε αδυνατεί να παρέχει επαρκή ισχύ σε εργασίες που προγενέστερα διεξάγονταν με ευκολία. Η μπαταρία μπορεί να θερμαίνεται κατά τη φόρτιση. Κάτι τέτοιο είναι φυσιολογικό και δεν υποδηλώνει πρόβλημα.

Προειδοποίηση! Μη φορτίζετε την μπαταρία σε θερμοκρασίες περιβάλλοντος κάτω από 10 °C ή επάνω από 40 °C. Συνιστώμενη θερμοκρασία φόρτισης: περίπου 24 °C.

Σημείωση: Ο φορτιστής δε θα φορτίσει μια μπαταρία με θερμοκρασία κυψέλης κάτω από περίπου 10 °C ή πάνω από 40 °C. Η μπαταρία θα πρέπει να παραμείνει στο φορτιστή και αυτός θα αρχίσει να τη φορτίζει αυτόματα μόλις η θερμοκρασία κυψέλης αυξηθεί ή μειωθεί αντίστοιχα.

- ◆ Για να φορτίσετε την μπαταρία (6), τοποθετήστε την στο φορτιστή (10). Η μπαταρία μπορεί να τοποθετηθεί στο φορτιστή μόνο με έναν τρόπο. Μην ασκείτε δύναμη. Βεβαιωθείτε ότι η μπαταρία είναι τοποθετημένη σωστά στο φορτιστή.
- ◆ Συνδέστε το φορτιστή και συνδέστε στο ρεύμα. Η πράσινη ενδεικτική λυχνία φόρτισης θα αρχίσει να αναβοσβήνει.
- Η φόρτιση έχει ολοκληρωθεί όταν η πράσινη ενδεικτική λυχνία φόρτισης ανάβει σταθερά. Ο φορτιστής και η μπαταρία μπορεί να μείνουν σε σύνδεση επ' αόριστον. Η πράσινη ενδεικτική λυχνία φόρτισης θα αναβοσβήνει καθώς ο φορτιστής αναπληρώνει περιστασιακά το φορτίο της μπαταρίας.
- ◆ Φορτίζετε τις αποφορτισμένες μπαταρίες εντός 1 εβδομάδας. Η διάρκεια ζωής μιας μπαταρίας μειώνεται σημαντικά εάν αυτή αποθηκευτεί σε αποφορτισμένη κατάσταση.

Παραμονή της μπαταρίας στο φορτιστή

Ο φορτιστής και η μπαταρία μπορούν να παραμείνουν συνδεδεμένα με την πράσινη ενδεικτική λυχνία LED αναμμένη επ' αόριστον. Ο φορτιστής θα διατηρήσει την μπαταρία πλήρως φορτισμένη.

Ενεργοποίηση και απενεργοποίηση

- ◆ Για να ενεργοποιήσετε το εργαλείο, πιέστε το κουμπί απασφάλισης (2) και στη συνέχεια πιέστε το διακόπτη on/off (1).
- ◆ Για να απενεργοποιήσετε το εργαλείο, απελευθερώστε το διακόπτη λειτουργίας (1).

Πριόνισμα (εικ. E)

- ◆ Πάντα να κρατάτε το εργαλείο και με τα δύο χέρια (εικ. E).
- ◆ Αφήστε τη λάμα (5) να κινηθεί ελεύθερα για λίγα δευτερόλεπτα, προτού ξεκινήσετε την κοπή.
- ◆ Κατά την εκτέλεση της κοπής, εφαρμόζετε μόνο μικρή πίεση στο εργαλείο.
- ◆ Εάν είναι δυνατό, εργαστείτε με το πέδιλο (3) να πιέζει επάνω στο αντικείμενο. Κάτι τέτοιο βελτιώνει τον έλεγχο του εργαλείου και μειώνει τις δονήσεις, επίσης προστατεύει την πριονόλαμα από ζημιές.

Συμβουλές για άριστη χρήση

Πριόνισμα ξύλου (εικ. F)

- ◆ Σφίξτε καλά το τεμάχιο εργασίας και αφαιρέστε όλα τα καρφιά και τα μεταλλικά αντικείμενα.
- ◆ Κρατώντας το εργαλείο και με τα δύο χέρια, εργαστείτε με το πέδιλο (3) να πιέζει επάνω στο αντικείμενο.

Κόψιμο κοντά σε επιφάνεια (εικ. G)

Ο συμπανής σχεδιασμός του περιβλήματος της παλινδρομικής σέγας και το περιστρεφόμενο πέδιλο (3) επιτρέπουν το κόψιμο κοντά σε δάπεδα, γωνίες και άλλες δύσκολες περιοχές.

Για να μεγιστοποιήσετε τις ικανότητες κοπής κοντά σε επιφάνειες:

- ◆ Εισαγάγετε το σώμα πριονόλαμας μέσα στο σφινγκήρα πριονόλαμας, με τα δόντια της λάμας να βλέπουν προς τα επάνω.
- ◆ Προσαρμόστε τη γωνία της λαβής του εργαλείου, έτσι ώστε να πλησιάσετε όσο το δυνατό περισσότερο την επιφάνεια εργασίας.

Πριόνισμα μετάλλου (εικ. H)

- ◆ Χρησιμοποιείτε μια πριονόλαμα κατάλληλη για το πριόνισμα μετάλλου. Χρησιμοποιείτε μια πριονόλαμα με λεπτά δόντια για σιδηρούχα μέταλλα και μια πιο χοντρή πριονόλαμα για μη σιδηρούχα μέταλλα.
- ◆ Όταν κόβετε λεπτά μεταλλικά ελάσματα, στερεώστε με το σφινγκήρα ένα κομμάτι αχρυστού ξύλου στην πίσω επιφάνεια του αντικειμένου υπό επεξεργασία και κόψτε ανάμεσα σε αυτό το σάντουιτς.
- ◆ Απλώστε ένα λεπτό στρώμα λαδιού κατά μήκος της γραμμής που σκοπεύετε να κόψετε.

Κόψιμο εγκοπών σε ξύλο (εικ. I)

- ◆ Μετρήστε και σημαδέψτε την απαιτούμενη εγκοπή κοπής.
- ◆ Τοποθετήστε μια πριονόλαμα κατάλληλη για κόψιμο εγκοπών.
- ◆ Ακουμπήστε το πέδιλο (3) στο τεμάχιο εργασίας σε τέτοια θέση ώστε η πριονόλαμα να σχηματίζει κατάλληλη γωνία για το κόψιμο της εγκοπής.

- ◆ Ενεργοποιήστε το εργαλείο και αργά εισαγάγετε την πριονόλαμα στο τεμάχιο εργασίας. Βεβαιωθείτε ότι το πέδιλο (3) παραμένει συνεχώς σε επαφή με το τεμάχιο εργασίας.

Κοπή κλαδιών

Με το εργαλείο αυτό μπορείτε να κόψετε κλαδιά με διάμετρο μέχρι 25 mm.

Προειδοποίηση! Μη χρησιμοποιείτε το εργαλείο ενώ βρίσκεστε πάνω σε δέντρο, σε σκάλα ή σε οποιαδήποτε άλλη ασταθή επιφάνεια. Έχετε υπόψη σας την κατεύθυνση προς την οποία θα πέσει το κλαδί.

- ◆ Κόβετε προς τα κάτω και μακριά από το σώμα σας.
- ◆ Πραγματοποιήστε τις κοπές κοντά στο κύριο κλαδί ή στον κορμό του δέντρου.

Κατακόρυφο κόψιμο

Το εργαλείο επιτρέπεται το κόψιμο κοντά σε γωνίες και άλλα δύσκολα σημεία.

- ◆ Εισαγάγετε το στέλεχος της πριονόλαμας μέσα στην υποδοχή της λάμας με τα δόντια να βλέπουν προς τα επάνω.
- ◆ Κρατήστε το εργαλείο με το πέδιλο (3) να βλέπει προς τα κάτω έτσι ώστε να πλησιάσετε όσο το δυνατό την επιφάνεια εργασίας.
- ◆ Κόβετε προς τα εμπρός και μακριά από το σώμα σας.

Αξεσουάρ

Η απόδοση του εργαλείου σας εξαρτάται από το αξεσουάρ που χρησιμοποιείται.

Τα αξεσουάρ της BLACK+DECKER έχουν κατασκευαστεί μηχανικά με βάση πρότυπα υψηλής ποιότητας και είναι σχεδιασμένα να ενισχύουν την απόδοση του εργαλείου σας. Χρησιμοποιώντας αυτά τα αξεσουάρ, θα εξασφαλίσετε την καλύτερη δυνατή χρήση του εργαλείου σας.

Πριονόλαμες

Η σέγα μπορεί να δεχτεί πριονόλαμα με μήκος έως 30 cm. Πάντοτε χρησιμοποιείτε την κοντύτερη πριονόλαμα που είναι κατάλληλη για την εργασία σας, αλλά με αρκετό μήκος έτσι ώστε η πριονόλαμα να κόβει συνεχώς το υλικό. Οι πριονόλαμες μεγαλύτερου μήκους είναι πιο πιθανό να στραβώσουν ή να υποστούν ζημιά κατά τη χρήση. Κατά τη λειτουργία, ορισμένες πριονόλαμες μεγαλύτερου μήκους μπορεί να εμφανίσουν κραδασμό ή να τρέμουν, εάν η σέγα δεν διατηρηθεί σε επαφή με το προς επεξεργασία αντικείμενο.

Συντήρηση

Το εργαλείο BLACK+DECKER έχει σχεδιαστεί, έτσι ώστε να λειτουργεί για μεγάλο χρονικό διάστημα με την ελάχιστη δυνατή συντήρηση. Η αδιάλειπτη και ικανοποιητική λειτουργία εξαρτάται από τη σωστή φροντίδα του εργαλείου και τον τακτικό καθαρισμό του.

Ο φορτιστής σας δεν απαιτεί κάποια συντήρηση εκτός του τακτικού καθαρισμού.

Προειδοποίηση! Προτού πραγματοποιήσετε κάποια συντήρηση στο εργαλείο, αφαιρέστε την μπαταρία από το εργαλείο. Πριν καθαρίσετε το φορτιστή, απουσιάζετε τον από την πρίζα.

- ◆ Να καθαρίζετε τακτικά τις εγκοπές εξαερισμού του εργαλείου και του φορτιστή με μια μαλακή βούρτσα ή με ένα στεγνό πανί.
- ◆ Να καθαρίζετε τακτικά το περίβλημα του μοτέρ με υγρό πανί. Μη χρησιμοποιείτε λειαντικά ή υγρά καθαρισμού που περιέχουν διαλυτικά.
- ◆ Να ανοίγετε τακτικά το τσοκ και να το χτυπάτε ελαφρά για να αφαιρείται η σκόνη από το εσωτερικό του.

Προστασία του περιβάλλοντος



Χωριστή συλλογή. Τα προϊόντα και οι μπαταρίες που επισημαίνονται με αυτό το σύμβολο δεν πρέπει να απορρίπτονται μαζί με τα κανονικά οικιακά απορρίμματα

Τα προϊόντα και οι μπαταρίες περιέχουν υλικά που μπορούν να ανακτηθούν ή να ανακυκλωθούν ώστε να μειωθούν οι ανάγκες για πρώτες ύλες.

Παρακαλούμε να ανακυκλώνετε τα ηλεκτρικά προϊόντα και τις μπαταρίες σύμφωνα με τους τοπικούς κανονισμούς. Περισσότερες πληροφορίες διατίθενται στον ιστότοπο www.2helpU.com

Τεχνικά δεδομένα

		BDCR18 (H1)
Τάση εισόδου	V_{DC}	18
Ταχύτητα χωρίς φορτίο	Ελάχ. ⁻¹	0-3000
Μήκος διαδρομής	mm	22
Βάρος	kg	1.5

Φορτιστής		905902**/ N4940**	905998**/ 906349**
Τάση εισόδου	V_{AC}	100-240	220-240
Τάση εξόδου	V_{DC}	8-20	8-20
Ένταση ρεύματος	mA	400	1000
Χρόνος φόρτισης, περίπου	Ωρες	3-11	1.5-5

Μπαταρία (όπου παρέχονται)		BL2018*	BL1518*	BL2518*	BL4018
Τάση εισόδου	V_{DC}	18	18	18	18
Χωρητικότητα	Ah	2.0	1.5	2.5	4.0
Τύπος		Li-Ion	Li-Ion	Li-Ion	Li-Ion

Στάθμη ηχητικής πίεσης σύμφωνα με το πρότυπο EN 60745:
Ηχητική πίεση (L_{pA}) 79.5 dB(A), αβεβαιότητα (K) 3 dB(A)
Ηχητική ισχύς (L_{WA}) 90.5 dB(A), αβεβαιότητα (K) 3 dB(A)
Οι συνολικές τιμές δόνησης (διανυσματικό άθροισμα τριών αξόνων) κατά EN 60745:
Κοπή φύλλων ($a_{h,B}$) 17.9 m/s^2 , αβεβαιότητα (K) 1.5 m/s^2
Κοπή ξύλινων δοκών ($a_{h,WB}$) 19.7 m/s^2 , αβεβαιότητα (K) 1.5 m/s^2

Δήλωση συμμόρφωσης ΕΚ

ΟΔΗΓΙΑ ΠΕΡΙ ΜΗΧΑΝΗΜΑΤΩΝ



BDCR18 - Παλινδρομική σέγα

Η Black & Decker δηλώνει ότι τα προϊόντα αυτά που περιγράφονται στα "τεχνικά χαρακτηριστικά" συμμορφώνονται με τα ακόλουθα:
EN60745-1:2009+A11:2010, EN60745-2-11:2010

Αυτά τα προϊόντα συμμορφώνονται επίσης με την Οδηγία 2006/42/ΕΚ, 2014/30/ΕΕ και 2011/65/ΕΕ.

Για περισσότερες πληροφορίες, επικοινωνήστε με την Black & Decker στην παρακάτω διεύθυνση ή να ανατρέξετε στο πίσω μέρος του εγχειριδίου.

Ο κάτωθι υπογεγραμμένος είναι υπεύθυνος για την κατάρτιση του τεχνικού φακέλου και δηλώνει τα παρόντα εκ μέρους της Black & Decker.

Ray Laverick
Διευθυντής Σχεδιασμού
Black & Decker Europe, 210 Bath Road, Slough,
Berkshire, SL1 3YD
United Kingdom
26/10/2018

Εγγύηση

Η Black & Decker είναι σίγουρη για την ποιότητα των προϊόντων της και προσφέρει στους καταναλωτές εγγύηση 24 μηνών από την ημερομηνία αγοράς. Αυτή η εγγύηση συμπληρώνει και με κανένα τρόπο δεν παραβιάζει τα νόμιμα δικαιώματά σας. Η εγγύηση ισχύει εντός της επικράτειας των χωρών μελών της Ευρωπαϊκής Ένωσης και της Ευρωπαϊκής Ζώνης Ελεύθερων Συναλλαγών.

Για να υποβάλετε αξίωση βάσει της εγγύησης, η αξίωση θα πρέπει να είναι σύμφωνη με τους Όρους και προϋποθέσεις της Black & Decker και θα χρειαστεί να υποβάλετε απόδειξη αγοράς στον πωλητή ή σε εξουσιοδοτημένο αντιπρόσωπο επισκευών. Μπορείτε να αποκτήσετε τους Όρους και προϋποθέσεις της εγγύησης 2 ετών της Black&Decker και να μάθετε την τοποθεσία του πλησιέστερου εξουσιοδοτημένου αντιπροσώπου επισκευών στο Internet στο www.2helpU.com, ή επικοινωνώντας με το τοπικό σας γραφείο Black & Decker στη διεύθυνση που υποδεικνύεται στο παρόν εγχειρίδιο.

Παρακαλούμε επισκεφθείτε την ιστοσελίδα μας www.black-and-decker.gr για να καταχωρίσετε το νέο σας προϊόν Black & Decker και για να ενημερώνεστε για τα νέα προϊόντα και τις ειδικές προσφορές.

België/Belgique/Luxembourg www.blackanddecker.be enduser.be@sbdinc.com	Stanley Black & Decker Belgium BVBA Egide Walschaertsstraat 16 2800 Mechelen	Tel. NL +32 15 47 37 65 Tel. FR +32 15 47 37 66 Fax. +32 15 47 37 99
Danmark	Black & Decker Roskildevej 22 2620 Albertslund	kundeservice.dk@sbdinc.com www.blackanddecker.dk
Deutschland www.blackanddecker.de infobfge@sbdinc.com	Stanley Black & Decker Deutschland GmbH Black & Decker Str. 40, D - 65510 Idstein	Tel. 06126 21-0 Fax 06126 21-2980
Ελλάδα www.blackanddecker.gr greece.service@sbdinc.com	Stanley Black & Decker (ΕΛΛΑΣ) Ε.Π.Ε ΓΡΑΦΕΙΑ: Σπύριδωνος 7 & Βουλιαγμένης 166 74 Γλυφάδα - Αθήνα	Τηλ. 210-8981616 Φαξ 210-8983570
SERVICE:	Ημερος Τόπος 2 -Χάνι Αδάμ 193 00 Ασπρόπυργος - Αθήνα	Τηλ. Service 210-8985208 Φαξ 210-5597598
España www.blackanddecker.es respuesta.posventa@sbdinc.com	Stanley Black & Decker Ibérica, S.C.A. Parc de Negocis "Mas Blau" Edificio Muntadas, c/Bergadà, 1, Of. A6 08820 El Prat de Llobregat (Barcelona)	Tel. 934 797 400 Fax 934 797 419
France www.blackanddecker.fr	Black & Decker (France) S.A.S. 5 allée des Hêtres B.P. 30084 69579 Limonest Cédex	Tel. 04 72 20 39 20 Fax 04 72 20 39 00
Helvetia www.blackanddecker.ch service@rofoag.ch	ROFO AG Gewerbezone Seeblick 3213 Kleinbösingen	Tel. 026-6749393 Fax 026-6749394
Italia www.blackanddecker.it service.italia@sbdinc.com	Stanley Black & Decker Italia Via Energypark 6 20871 Vimercate (MB)	Tel. 039-9590200 Fax 039-9590313 Numero verde 800-213935
Nederland www.blackanddecker.nl enduser.nl@sbdinc.com	Stanley Black & Decker Netherlands BV Holtum Noordweg 35, 6121 RE BORN Postbus 83, 6120 AB BORN	Tel. +31 164 283 065 Fax +31 164 283 200
Norge	Black & Decker Postboks 4613, Nydalen 0405 Oslo	kundeservice.no@sbdinc.com www.blackanddecker.no
Österreich www.blackanddecker.at service.austria@sbdinc.com	Stanley Black & Decker Austria GmbH Oberlaaerstraße 248, A-1230 Wien	Tel. 01 66116-0 Fax 01 66116-614
Portugal www.blackanddecker.pt resposta.posvenda@sbdinc.com	Black & Decker Limited SARL Quinta da Fonte - Edifício Q55 D. Diniz Rua dos Malhães, 2 e 2A - Piso 2 Esquerdo 2770 - 071 Paço de Arcos	Tel. 214667500 Fax 214667580
Suomi	Black & Decker PL47 00521, Helsinki	asiakaspalvelu.fi@sbdinc.com www.blackanddecker.fi
Sverige	Black & Decker AB Box 94, 431 22 Mölndal	kundservice.se@sbdinc.com www.blackanddecker.se
Türkiye www.blackanddecker.com.tr	KALE Hirdavat ve Makina A.Ş. Defferdar Mah. Savaklar Cad. No:15 Edimekapı / Eyüp / İstanbul 34050	Tel. 0212 533 52 55 Fax. 0212 533 10 05
United Kingdom & Republic Of Ireland www.blackanddecker.co.uk emeaservice@sbdinc.com	Black & Decker 210 Bath Road Slough, Berkshire SL1 3YD	Tel. 01753 511234 Fax 01753 512365
Middle East & Africa www.blackanddecker.ae service.mea@sbdinc.com	Black & Decker P.O.Box - 17164 Jebel Ali Free Zone (South), Dubai, UAE	Tel. +971 4 8863030 Fax +971 4 8863333